

DESIGN

PURCHASE

CONSTRUCT

ENJOY

OZCO Project #367 - Dog House



OZCO Project #367 - Dog House

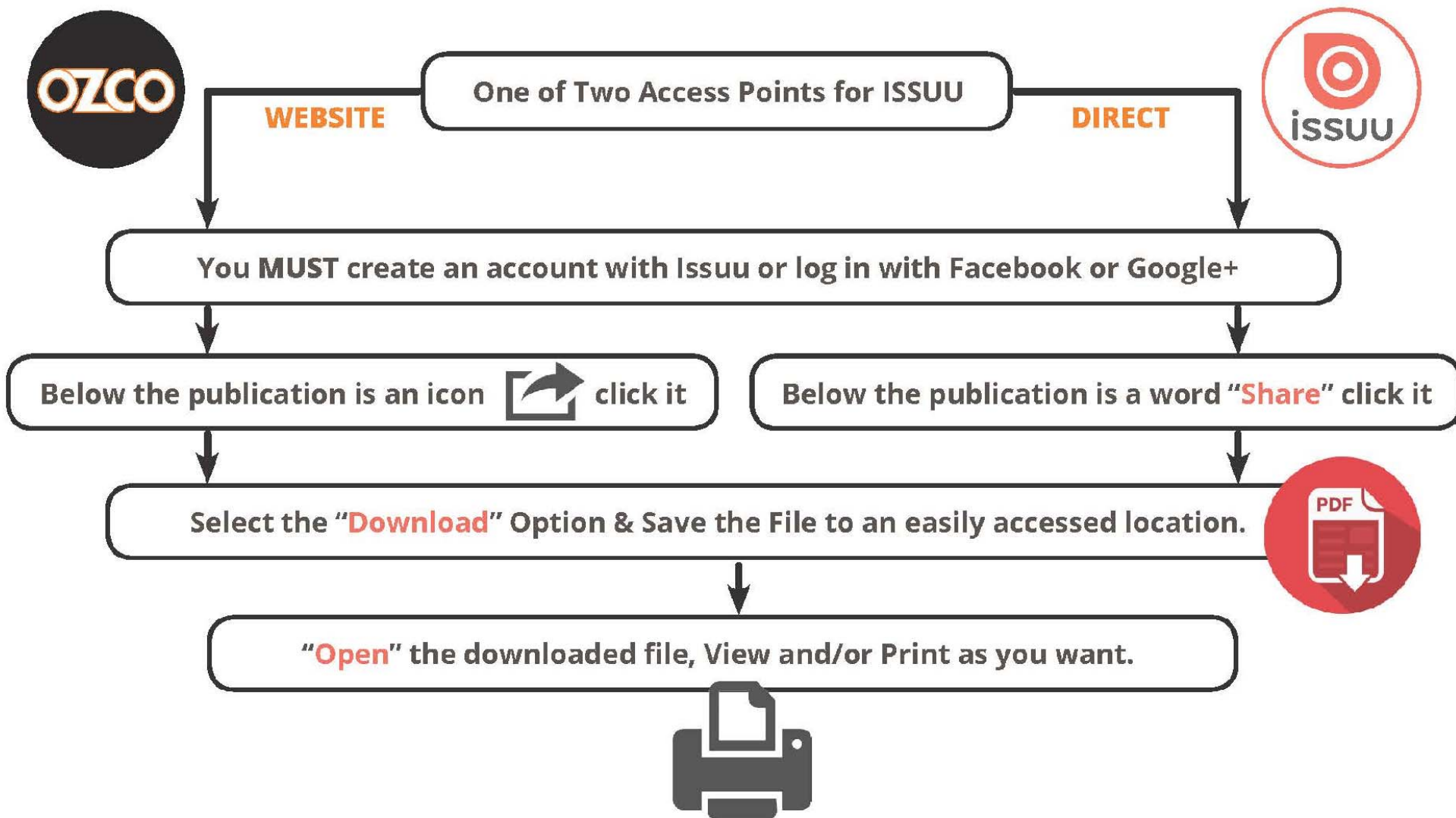


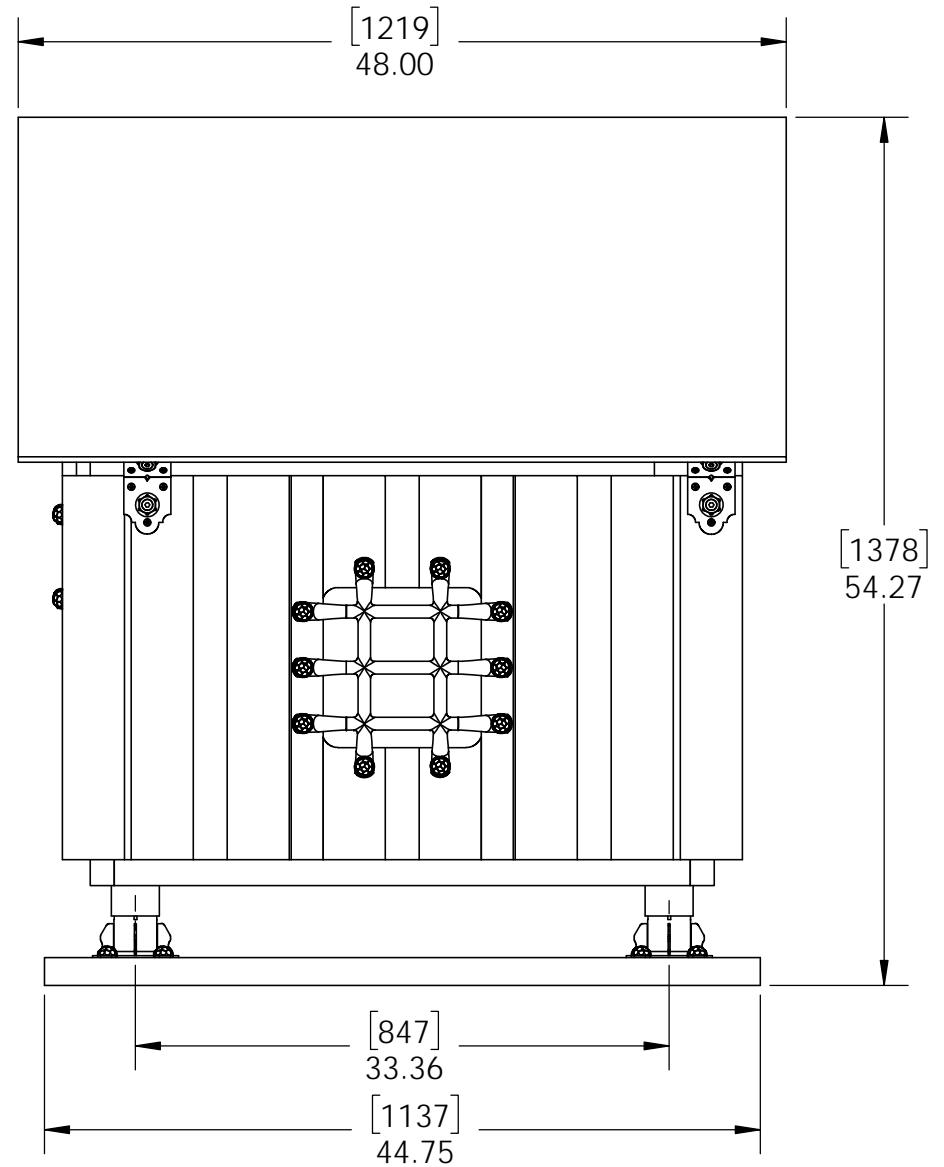
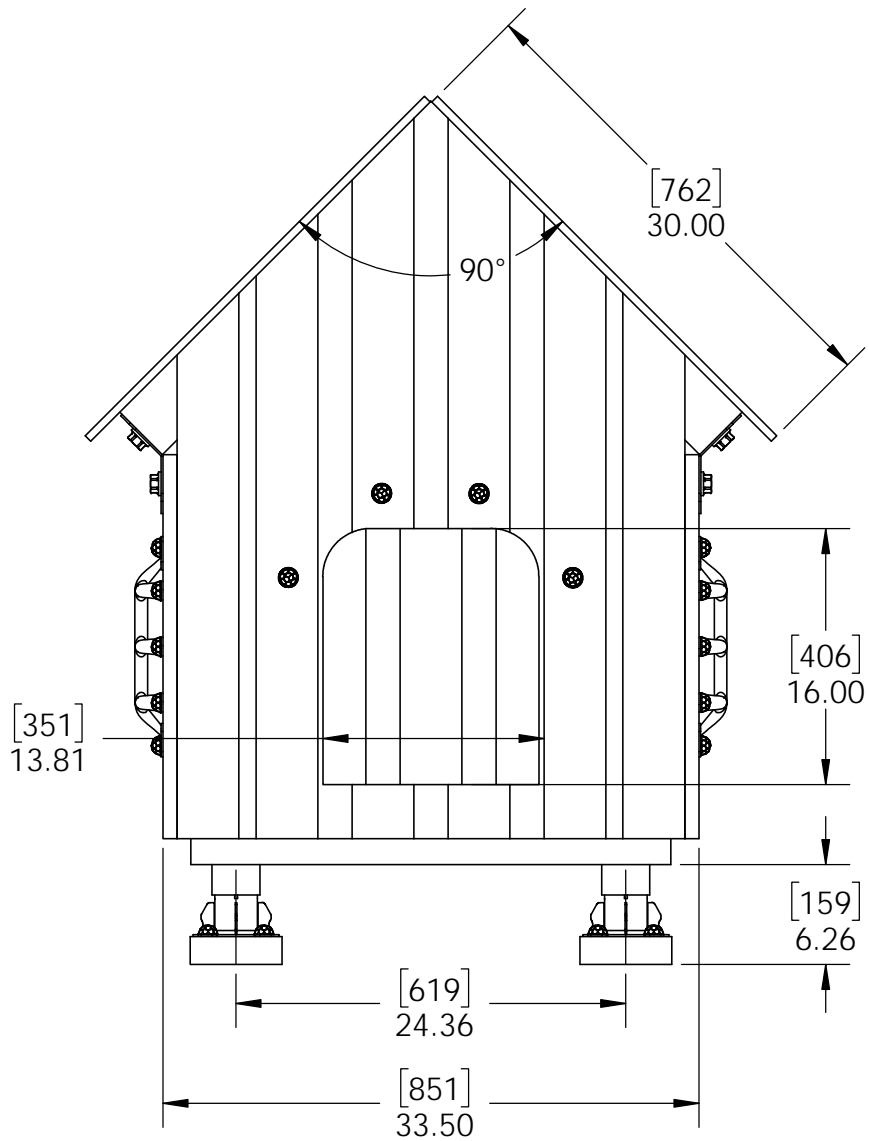
OZCO BUILDING PRODUCTS ■ ■ ■ ■



Printing Documents from ISSUU

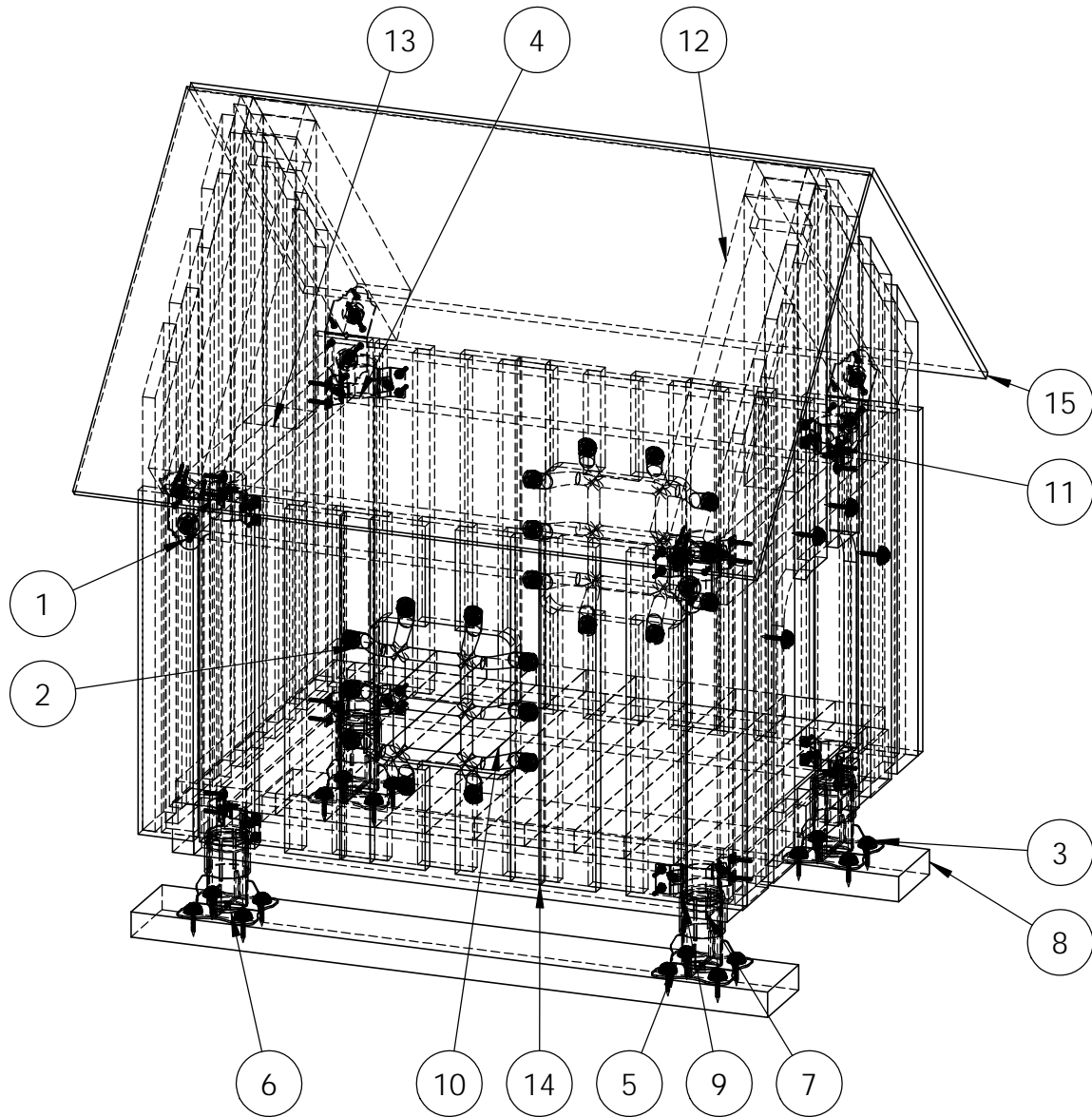
Unfortunately, there is currently no way to print content directly through issuu. To print a publication, you will need to download it and print it from your computer.





Overview

OZCO Project #367 - Dog House



ITEM NO.	QTY.	PART NUMBER	DESCRIPTION
1	1	56668	4" Flush Inside 45 (F145-LS-4)
2	2	56660	13"x13" Speak Easy Accent (GA EASY)
3	2	56622	1-1/4" Hammered Dome Cap Nut
	0.04	56625	OWT Timber Screw 1-3/4" WAP-OZ-90
4	8	50140	Steel to Wood Fence Bracket
5	4	30500	2 3/8" Round Post Base (238-IS-PB)
6	4	Pipe, 2.375	
7	4	2x4 Cedar Board	2x4x36.00
8	2	2x6 Cedar Board	2x6x44.75
9	30	1x4 Cedar Board	1x4x24.00
10	15	2x4 Cedar Board	2x4x30.00
11	22	1x4 Cedar Board	1x4x48.00
12	4	4x4 Cedar Post	4x4x25.00
13	2	4x4 Cedar Post	4x4x22.00
14	4	1x2 Cedar Board	1x2x24.00
15	2	Plywood	Roofing

Bill of Material

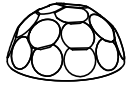
OZCO Project #367 - Dog House

QTY.	PART NUMBER	DESCRIPTION
4	30500	2 3/8" Round Post Base (238-IS-PB)
8	50140	WAP-OZ-90 Steel to Wood Fence Bracket
2	56622	1-1/4" Hammered Dome Cap Nut
1	56625	OWT Timber Screw 1-3/4"
2	56660	13"x13" Speak Easy Accent (GA EASY)
1	56668	4" Flush Inside 45 (FI45-LS-4)
1	10L	Pipe, 2.375
1	1x2X8L	1x2x8
10	1x4X6L	1x4x6
11	1x4X8L	1x4x8
5	2x4x12L	2x4x12
1	2x6X8L	2x6x8
1	4x4X12L	4x4x12
2	Plywood	48x30x.50

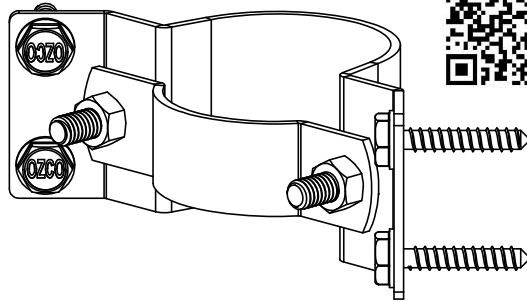
Material List

OZCO Project #367 - Dog House

56622



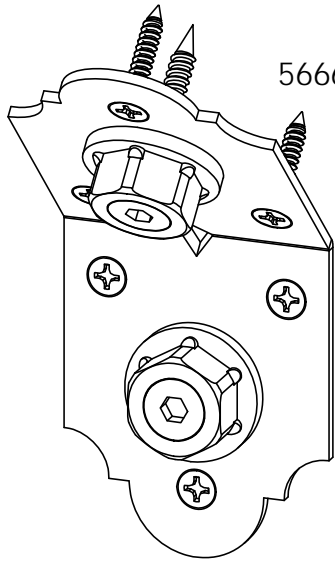
50140



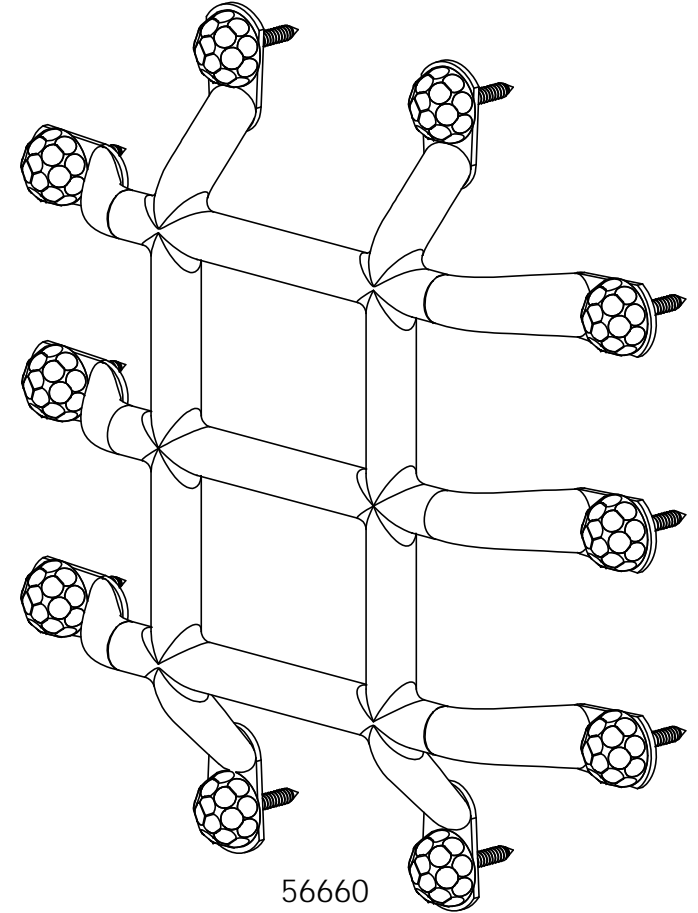
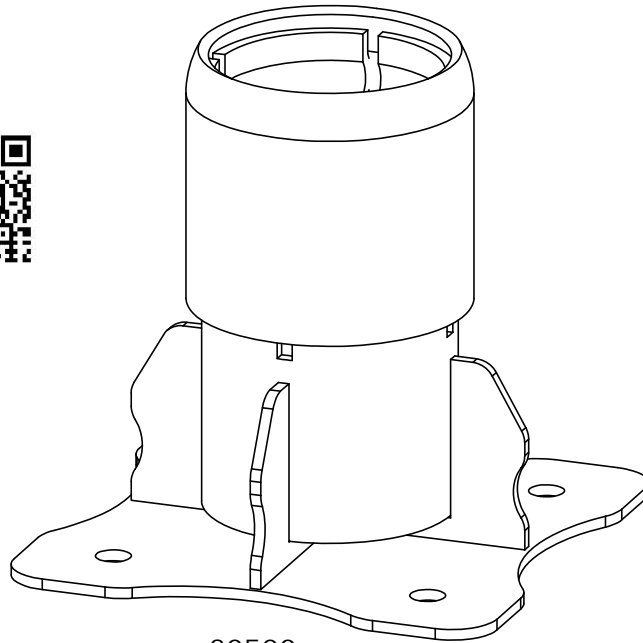
56625



56668



30500



56660



