

**DESIGN**

**PURCHASE**

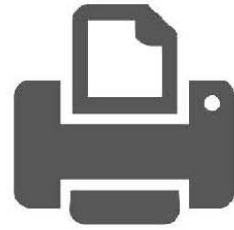
**CONSTRUCT**

**ENJOY**

## OZCO Project #501 - Patio & Picnic Tables

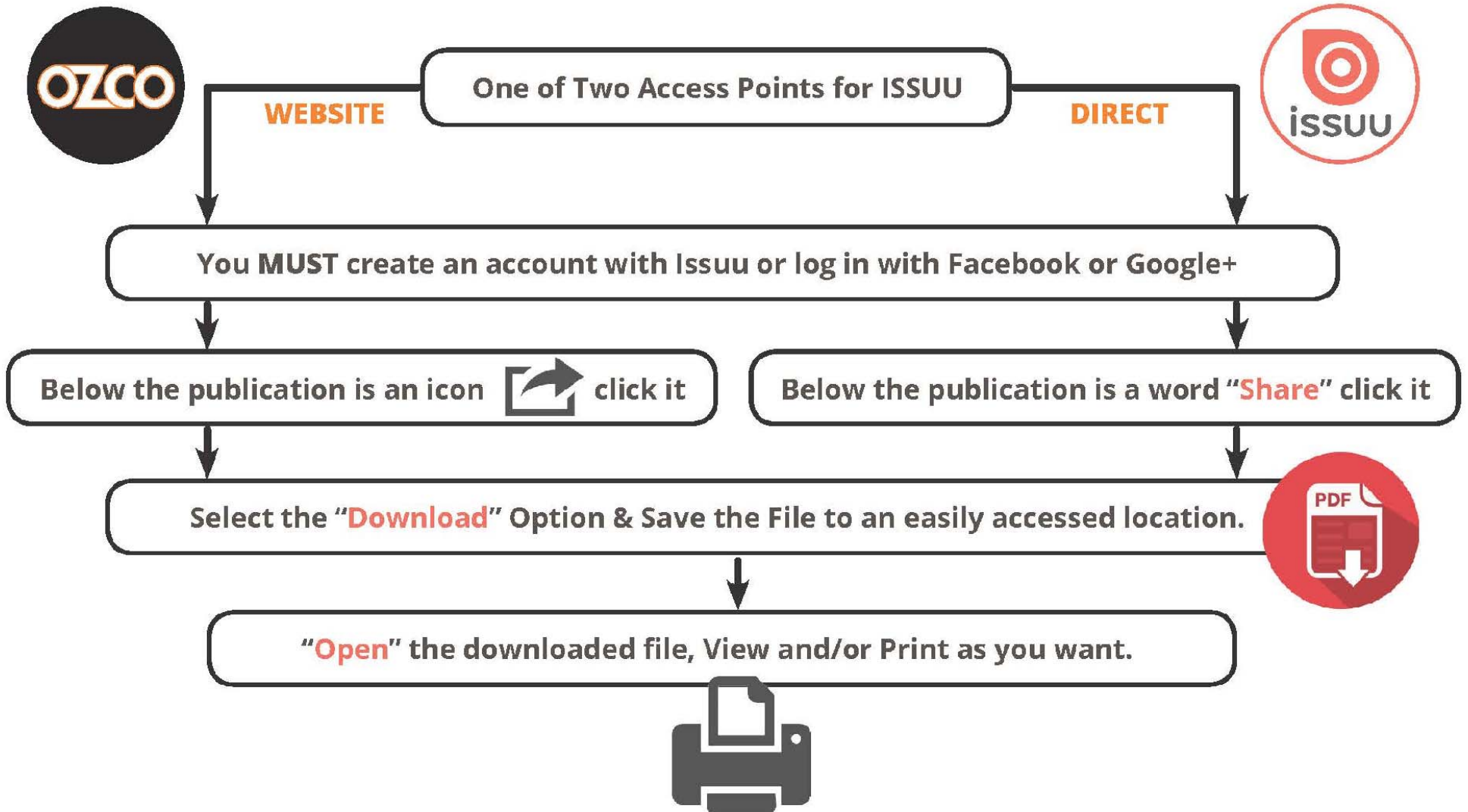


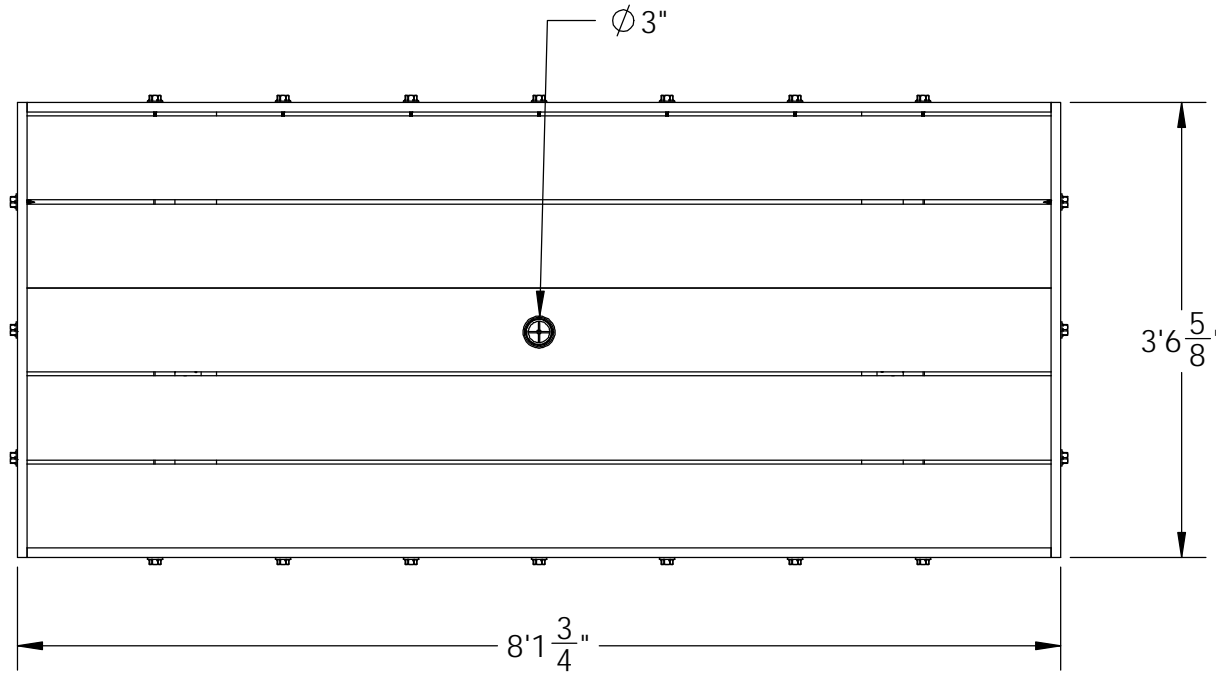
**OZCO** BUILDING PRODUCTS ■■■



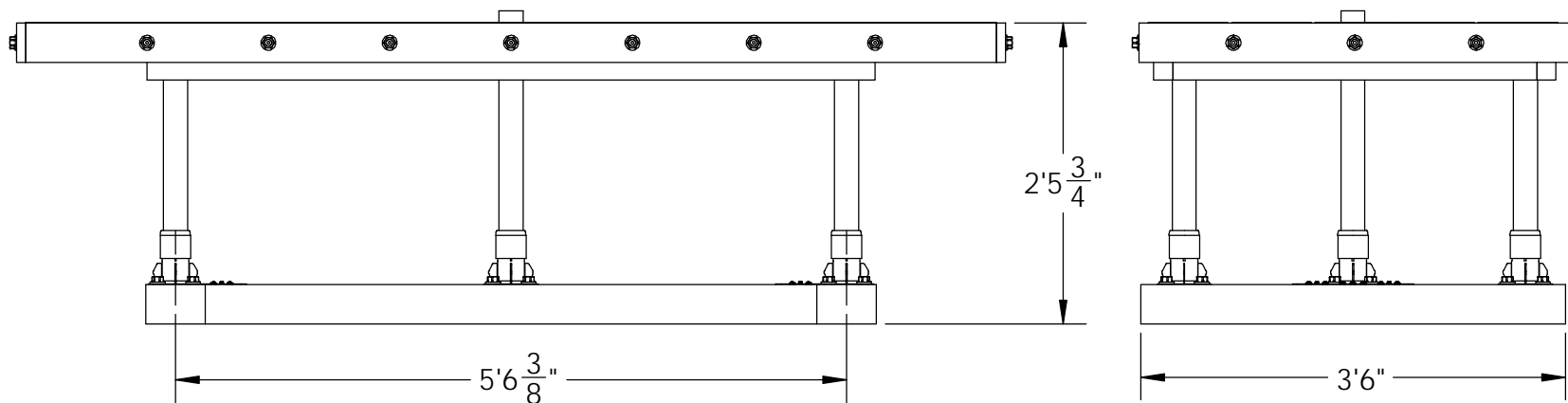
# Printing Documents from ISSUU

Unfortunately, there is currently no way to print content directly through issuu. To print a publication, you will need to download it and print it from your computer.





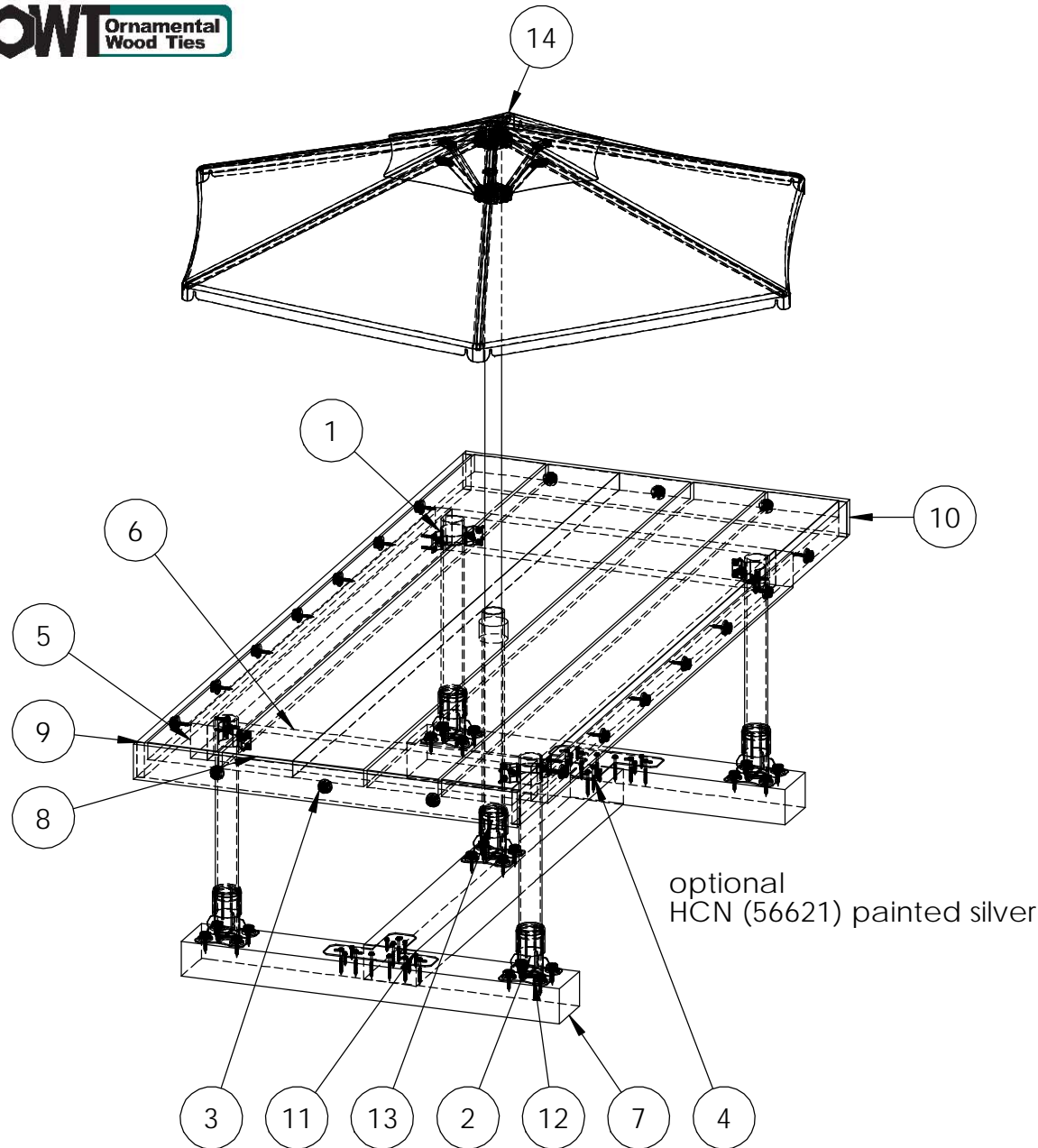
optional  
HCN (56621) painted silver



## Overview 1

OZCO Project #501 - Patio & Picnic Tables

shown without umbrella



| ITEM NO. | QTY. | PART NUMBER     | DESCRIPTION                                    |
|----------|------|-----------------|--|
| 1        | 4    | 50140           | 2-3/8" Steel to Wood Fence Bkt 90 (WAP-OZ-90)  |
| 2        | 5    | 30500           | 2-3/8 Dia Steel to Steel Post Base (238-IS-PB) |
| 3        | 4    | 56621           | 1 1/2" Hex Cap Nut (HCN)                       |
|          | 0.04 | 56625           | OWT Timber Screw 1-3/4"                        |
| 4        | 2    | 51767           | T-Tie 4" Plate (TTP-IW-4)                      |
| 5        | 2    | 2x4 Cedar Board | 2x4x6'0"                                       |
| 6        | 2    | 2x4 Cedar Board | 2x4x3'0"                                       |
| 7        | 2    | 4x6 Cedar Board | 4x6x3'6"                                       |
| 8        | 5    | 2x8 Cedar Board | 2x8x8'0"                                       |
| 9        | 2    | 1x4 Cedar Board | 1x4x8'0"                                       |
| 10       | 2    | 1x4 Cedar Board | 1x4x3'6 5/8"                                   |
| 11       | 1    | 4x6 Cedar Board | 4x6x5' 7/8"                                    |
| 12       | 4    | Pipe, 2.375     | Post, 2-3/8" Galvanized Steel, 2'0"            |
| 13       | 1    | Pipe, 2.375     | Post, 2-3/8" Galvanized Steel, 2'3"            |
| 14       | 1    | umbrella        |  |

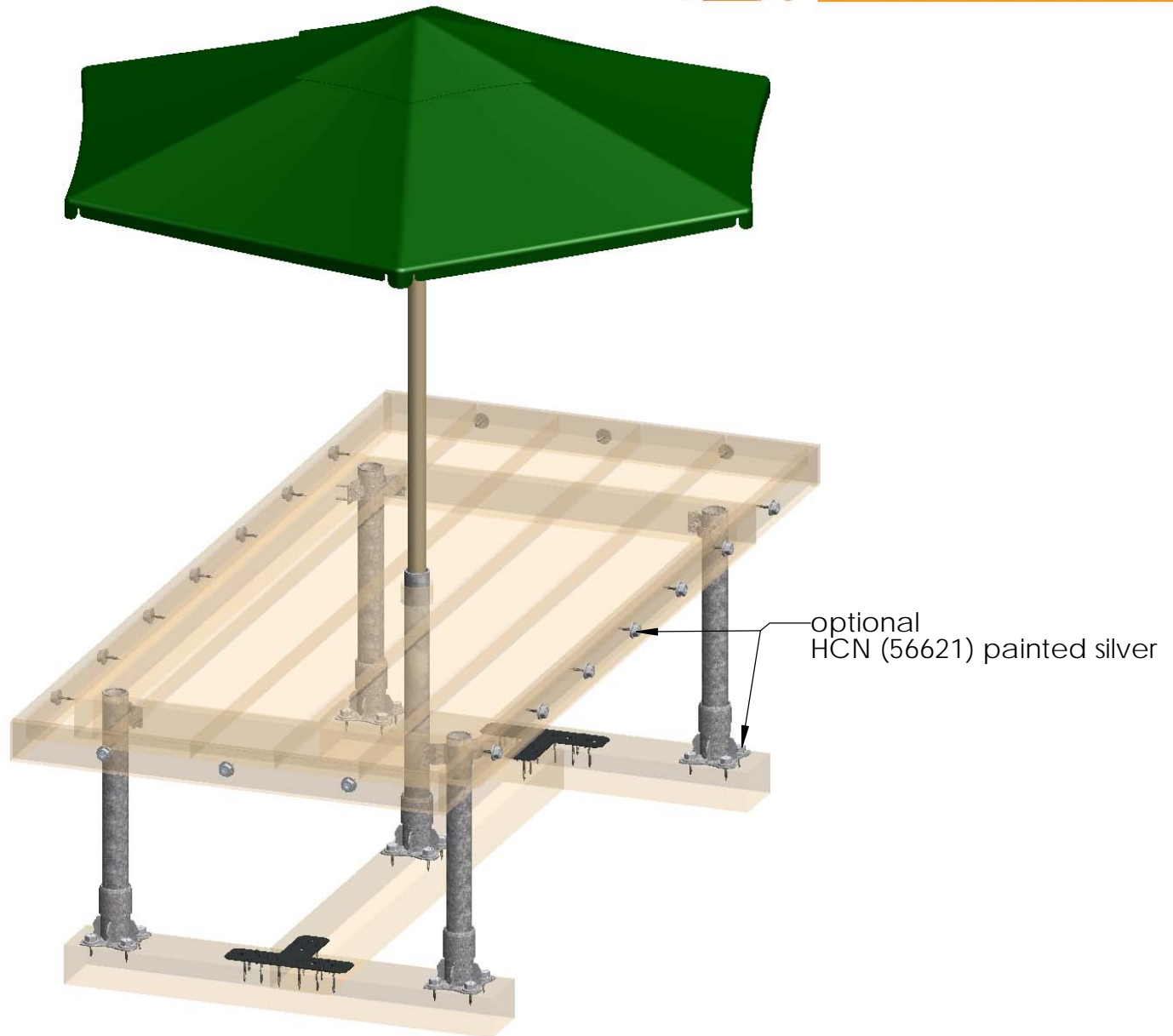
## Bill of Material 1

OZCO Project #501 - Patio & Picnic Tables

| QTY. | PART NUMBER | DESCRIPTION                           |
|------|-------------|---------------------------------------|
| 4    | 50140       | WAP-OZ-90 Steel to Wood Fence Bracket |
| 5    | 30500       | 2 3/8" Round Post Base (238-IS-PB)    |
| 4    | 56621       | 1 1/2" Hex Cap Nut (HCN)              |
| 2    | 51767       | "T" Tie 4" Plate (TTP-IW-4)           |
| 1    | umbrella    |                                       |
| 5    | Pipe, 2.375 |                                       |
| 3    | 2x4x6L      | 2x4x6                                 |
| 1    | 4x6x8L      | 4x6x8                                 |
| 1    | 4x6x6L      | 4x6x6                                 |
| 5    | 2x8x8L      | 2x8x8                                 |
| 3    | 1x4x8L      | 1x4x8                                 |

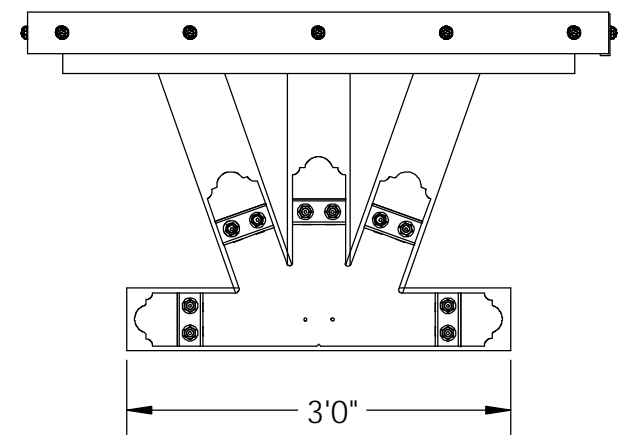
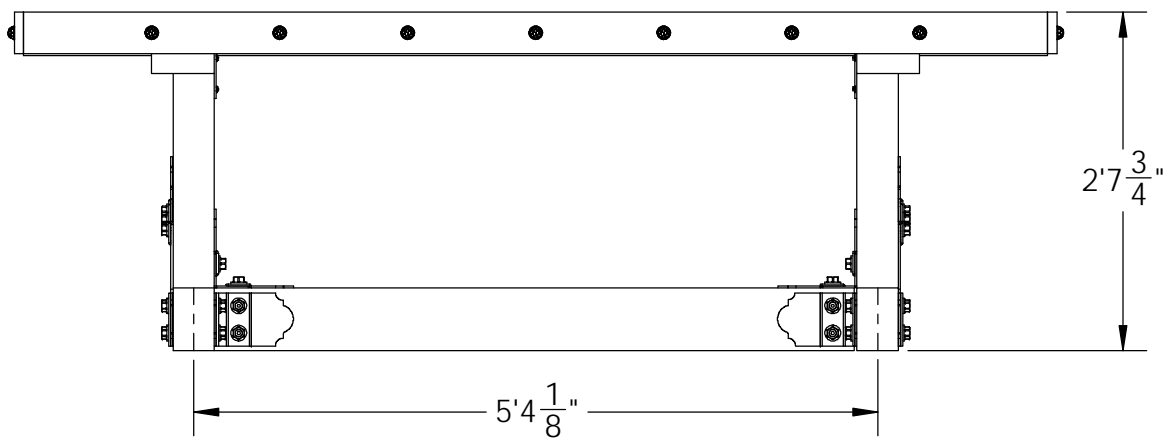
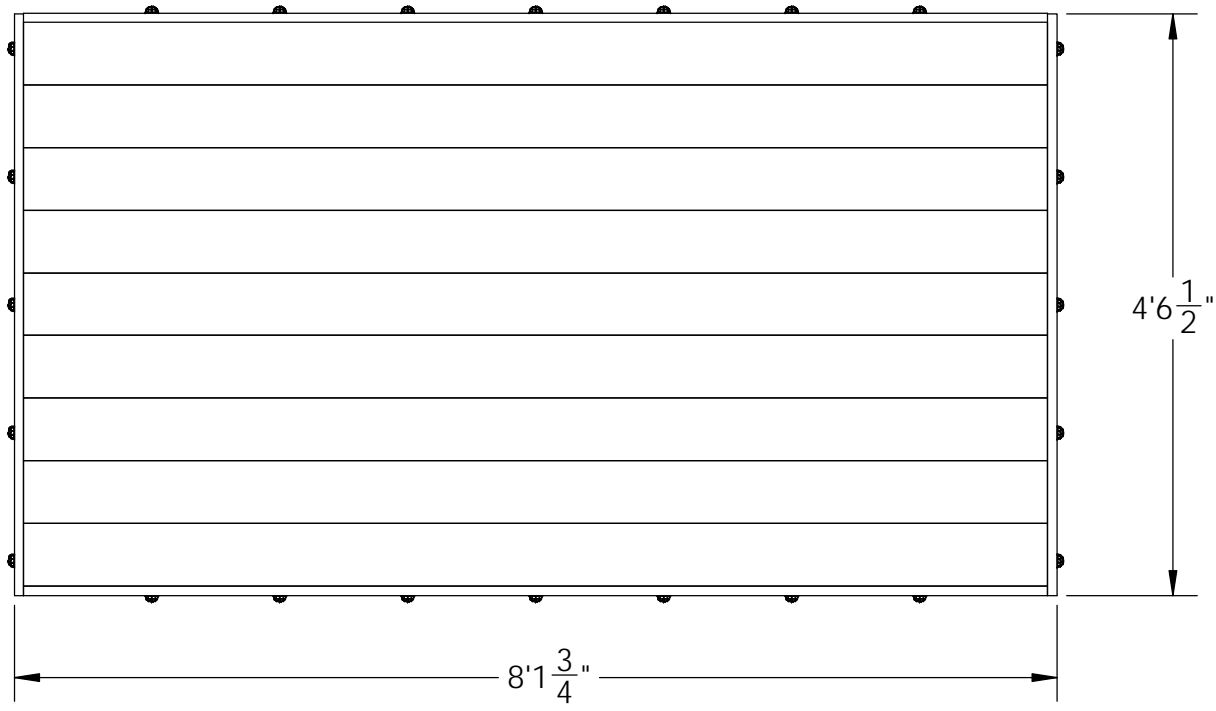
## Material List 1

OZCO Project #501 - Patio & Picnic Tables



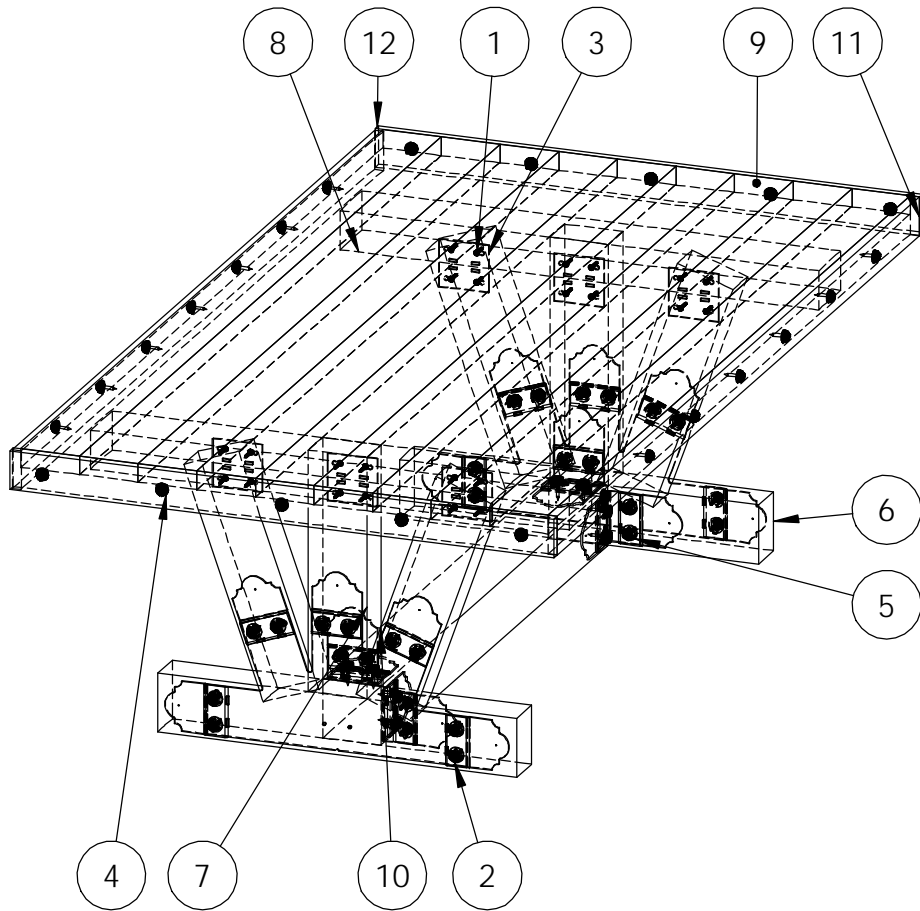
## Transparent 1

OZCO Project #501 - Patio & Picnic Tables



## Overview 2

OZCO Project #501 - Patio & Picnic Tables



| ITEM NO. | QTY. | PART NUMBER     | DESCRIPTION                     |
|----------|------|-----------------|---------------------------------|
| 1        | 0.96 | 56625           | OWT Timber Screw 1-3/4"         |
| 2        | 2    | 56642           | Truss Base Fan 4:12             |
|          | 5    | 56611           | Truss Accent (TA-LS)            |
|          | 0.08 | 56625           | Screw, OWT 1-3/4" (45mm) Timber |
| 3        | 3    | 56613           | Butt Joint Flush                |
| 4        | 3    | 56622           | 1-1/4" Hammered Dome Cap (DCN)  |
|          | 0.04 | 56625           | Screw, OWT 1-3/4" (45mm) Timber |
| 5        | 2    | 56615           | Flush Inside 90                 |
|          | 6    | 56611           | Truss Accent (TA-LS)            |
|          | 0.08 | 56625           | Screw, OWT 1-3/4" (45mm) Timber |
| 6        | 2    | 4x6 Cedar Board | 4x6x3'0"                        |
| 7        | 6    | 4x6 Cedar Board | 4x6x2'0"                        |
| 8        | 2    | 4x6 Cedar Board | 4x6x4'0"                        |
| 9        | 9    | 2x6 Cedar Board | 2x6x8'0"                        |
| 10       | 1    | 6x6 Cedar Post  | 6x6x5'0"                        |
| 11       | 2    | 1x4 Cedar Board | 1x4x8'0"                        |
| 12       | 2    | 1x4 Cedar Board | 1x4x4'6 1/2"                    |

## Bill of Material 2

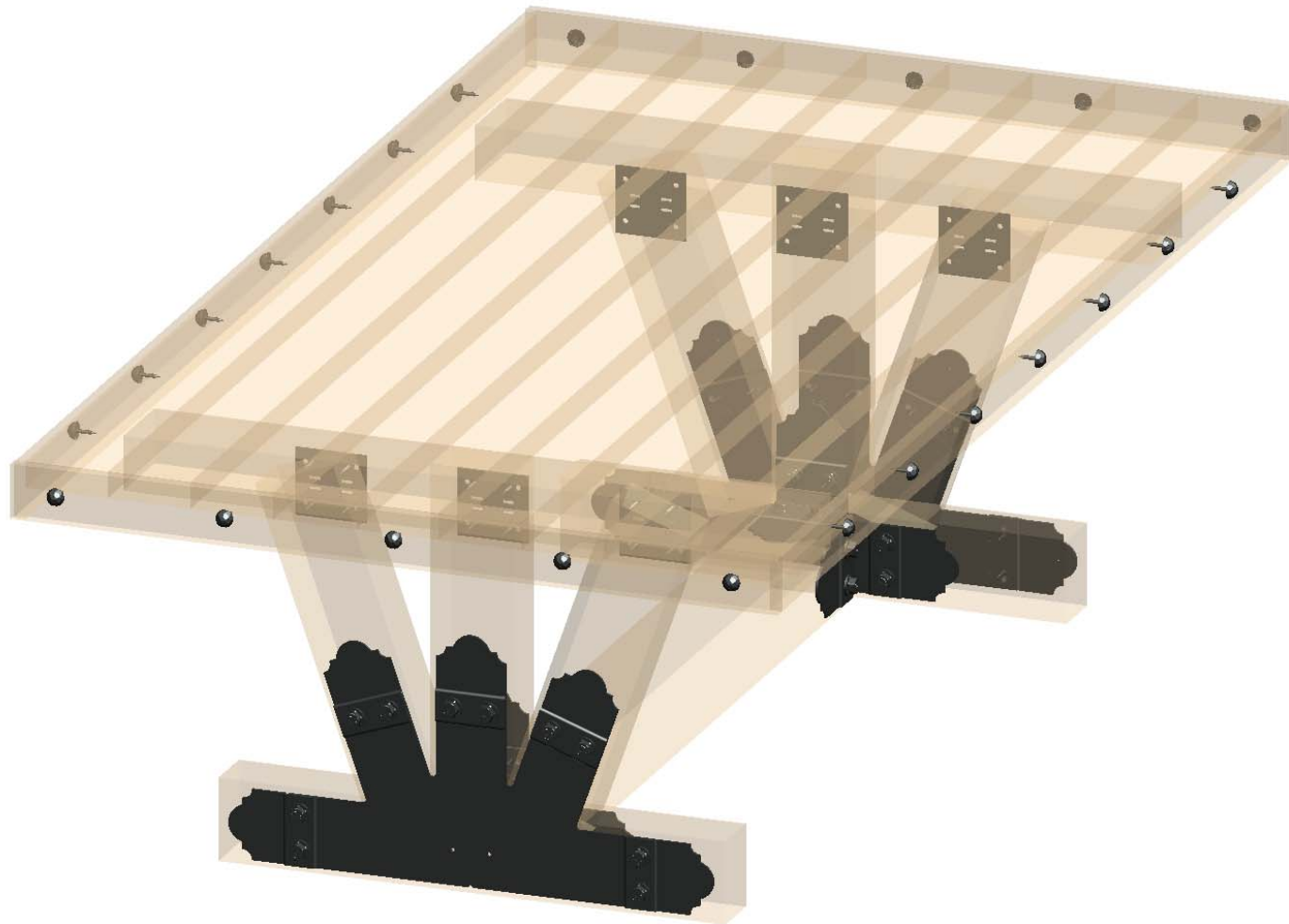
OZCO Project #501 - Patio & Picnic Tables



| QTY. | PART NUMBER | DESCRIPTION                  |
|------|-------------|------------------------------|
| 2    | 56642       | Truss Base Fan 4:12          |
| 8    | 56611       | Truss Accent (TA-LS)         |
| 3    | 56625       | OWT Timber Screw 1-3/4"      |
| 3    | 56613       | Butt Joint Flush             |
| 3    | 56622       | 1-1/4" Hammered Dome Cap Nut |
| 1    | 56627       | OWT Timber Screw 3-3/4"      |
| 3    | 56615       | Flush Inside 90              |
|      |             |                              |
| 3    | 4x6x6L      | 4x6x6                        |
| 1    | 4x6x8L      | 4x6x8                        |
| 9    | 2x6x8L      | 2x6x8                        |
| 1    | 6x6x6L      | 6x6x6                        |
| 2    | 1x4x8L      | 1x4x8                        |
| 2    | 1x4x6L      | 1x4x6                        |

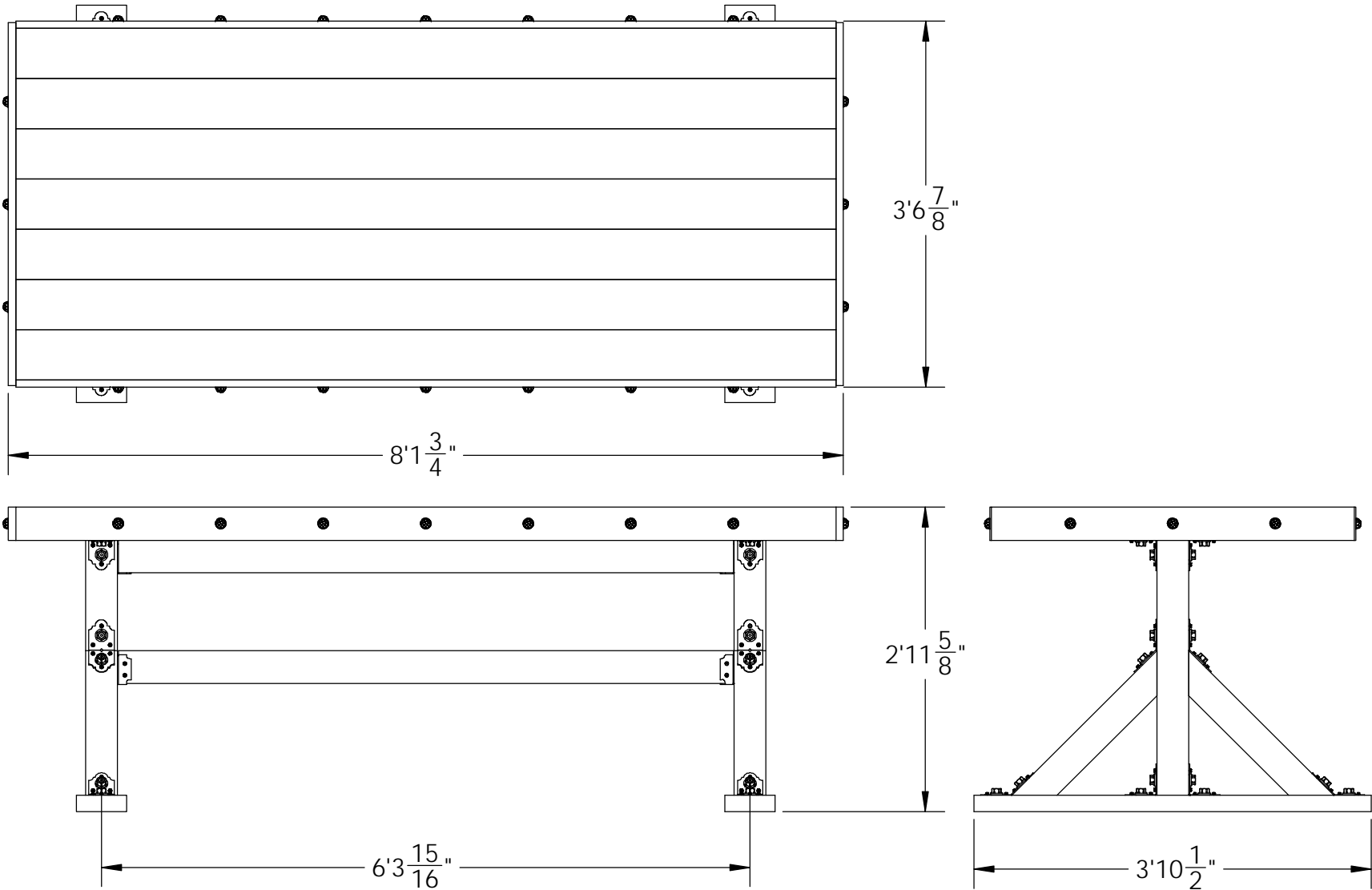
## Material List 2

OZCO Project #501 - Patio & Picnic Tables



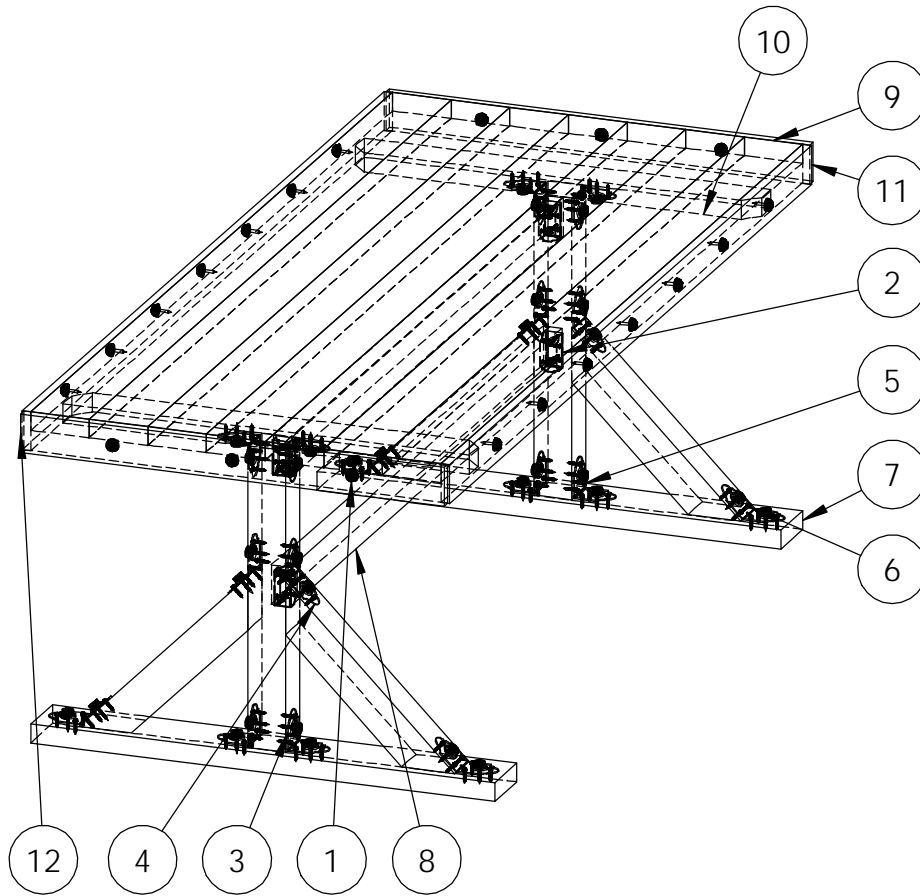
## Transparent 2

OZCO Project #501 - Patio & Picnic Tables



## Overview 3

OZCO Project #501 - Patio & Picnic Tables



| ITEM NO. | QTY. | PART NUMBER     | DESCRIPTION                          |
|----------|------|-----------------|--------------------------------------|
| 1        | 2    | 56622           | 1-1/4" Hammered Dome Cap (DCN)       |
|          | 0.04 | 56625           | Screw, OWT 1-3/4" (45mm) Timber      |
| 2        | 2    | 56641           | 2x4 Top Rail Saddle (2x4-TR)         |
| 3        | 1    | 56618           | 4" Standard Rafter Clips (RC-LS-4)   |
| 4        | 2    | 56668           | 4" Flush Inside 45 (FI45-LS-4)       |
|          | 1    | 56668-10        | Clip, 4" Flush Inside 45 (FI45-LS-4) |
|          | -    |                 | Sheet                                |
| 5        | 2    | 4x4 Cedar Post  | 4x4x2'6"                             |
| 6        | 4    | 4x4 Cedar Post  | 4x4x2'0"                             |
| 7        | 2    | 2x6 Cedar Board | 2x6x3'10 1/2"                        |
| 8        | 2    | 2x4 Cedar Board | 2x4x6'0"                             |
| 9        | 7    | 2x6 Cedar Board | 2x6x8'0"                             |
| 10       | 2    | 2x4 Cedar Board | 2x4x3'4 3/4"                         |
| 11       | 2    | 1x4 Cedar Board | 1x4x8'0"                             |
| 12       | 2    | 1x4 Cedar Board | 1x4x3'6 1/2"                         |

## Bill of Material 3

OZCO Project #501 - Patio & Picnic Tables

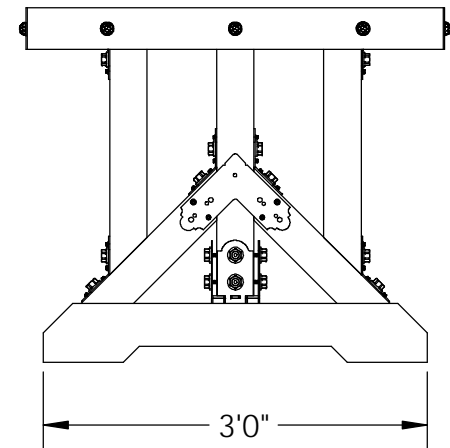
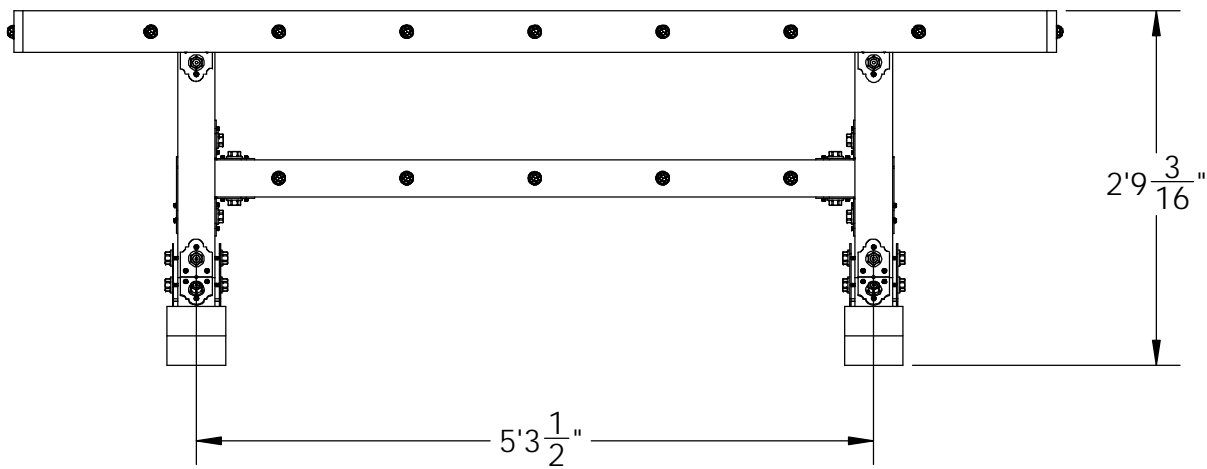
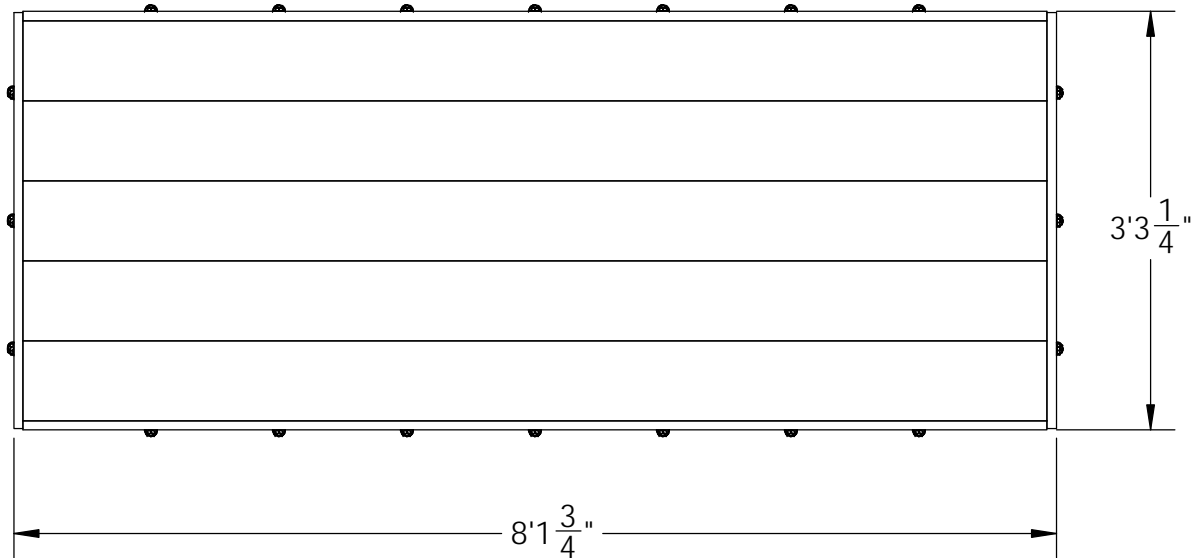
| QTY. | PART NUMBER | DESCRIPTION                       |
|------|-------------|-----------------------------------|
| 2    | 56641       | 2x4 Top Rail Saddle (2x4-TR)      |
| 2    | 56668       | 4" Flush Inside 45 (FI45-LS-4)    |
| 1    | 56618       | 4" Standard Rafter Clip (RC-LS-4) |
| 2    | 56622       | 1-1/4" Hammered Dome Cap Nut      |
| 1    | 56625       | OWT Timber Screw 1-3/4"           |
| 1    | 4x4x6L      | 4x4x6                             |
| 1    | 4x4x8L      | 4x4x8                             |
| 2    | 2x4x6L      | 2x4x6                             |
| 8    | 2x6x8L      | 2x6x8                             |
| 1    | 2x4x8L      | 2x4x8                             |
| 3    | 1x4x8L      | 1x4x8                             |

### Material List 3



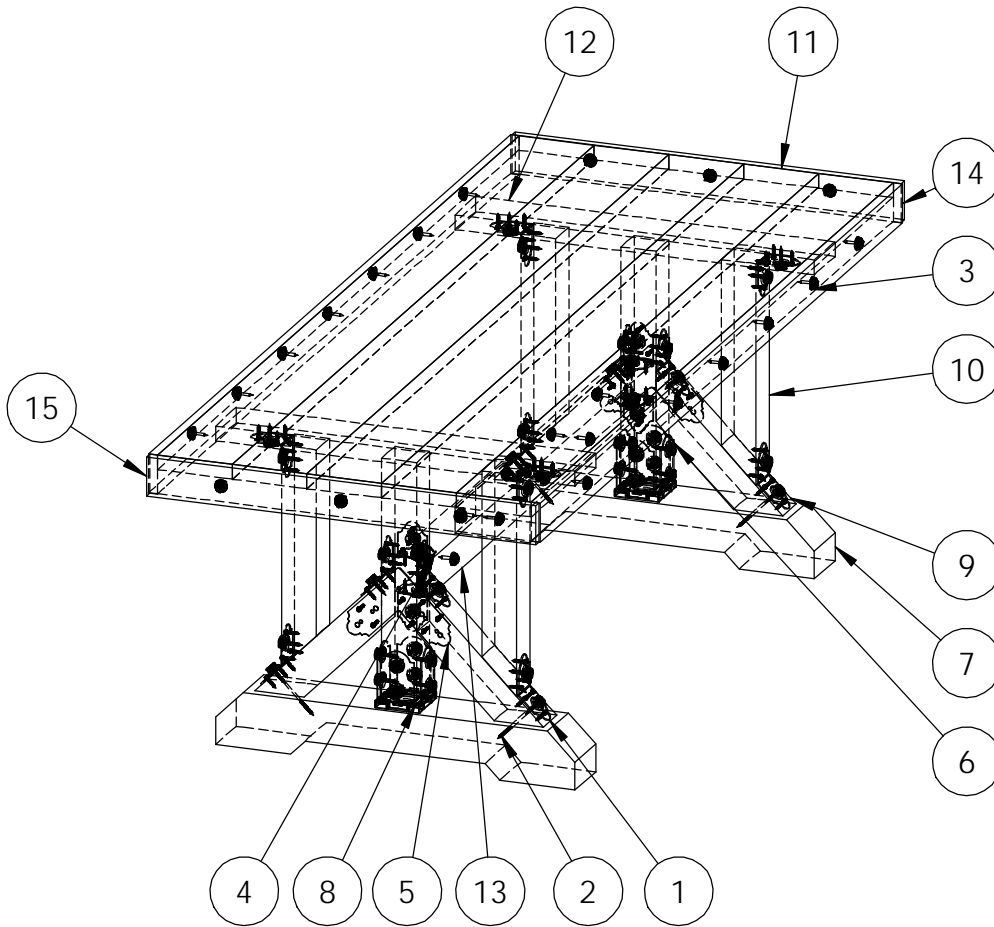
## Transparent 3

OZCO Project #501 - Patio & Picnic Tables



## Overview 4

OZCO Project #501 - Patio & Picnic Tables



| ITEM NO. | QTY. | PART NUMBER     | DESCRIPTION                        |
|----------|------|-----------------|------------------------------------|
| 1        | 2    | 56668           | 4" Flush Inside 45 (FI45-LS-4)     |
| 2        | 1    | 56628           | Screw, OWT 5-3/4" (145mm) Timber   |
| 3        | 3    | 56622           | Hammered Dome Cap (DCN)            |
|          | 0.04 | 56625           | Screw, OWT 1-3/4" (45mm) Timber    |
| 4        | 1    | 56618           | 4" Standard Rafter Clips (RC-LS-4) |
| 5        | 2    | 56674           | 4" 90 Flush Outside (FO-90-LS-4)   |
| 6        | 2    | 56607           | 4x4 Post Base (4x4-PB-LS)          |
| 7        | 2    | 6x6 Cedar Post  | 6x6x3'0"                           |
| 8        | 2    | 4x4 Cedar Post  | 4x4x2'0"                           |
| 9        | 4    | 4x4 Cedar Post  | 4x4x1'6"                           |
| 10       | 4    | 4x4 Cedar Post  | 4x4x1'10"                          |
| 11       | 5    | 2x8 Cedar Board | 2x8x8'0"                           |
| 12       | 2    | 2x6 Cedar Board | 2x6x3'0"                           |
| 13       | 1    | 4x4 Cedar Post  | 4x4x5'0"                           |
| 14       | 2    | 1x4 Cedar Board | 1x4x8'0"                           |
| 15       | 2    | 1x4 Cedar Board | 1x4x3'3"                           |

## Bill of Material 4

OZCO Project #501 - Patio & Picnic Tables



| QTY. | PART NUMBER | DESCRIPTION                       |
|------|-------------|-----------------------------------|
| 2    | 56607       | 4x4 Post Base (4x4-PB-LS)         |
| 2    | 56668       | 4" Flush Inside 45 (FI45-LS-4)    |
| 2    | 56674       | 56674                             |
| 4    | 56622       | 1-1/4" Hammered Dome Cap Nut      |
| 1    | 56628       | Screw, OWT 5-3/4" (145mm) Timber  |
| 1    | 56618       | 4" Standard Rafter Clip (RC-LS-4) |
| 2    | 56625       | OWT Timber Screw 1-3/4"           |
|      |             |                                   |
| 1    | 6x6x6L      | 6x6x6                             |
| 2    | 4x4x6L      | 4x4x6                             |
| 1    | 4x4x12L     | 4x4x12                            |
| 5    | 2x8x8L      | 2x8x8                             |
| 1    | 2x6x6L      | 2x6x6                             |
| 3    | 1x4x8L      | 1x4x8                             |

## Material List 4

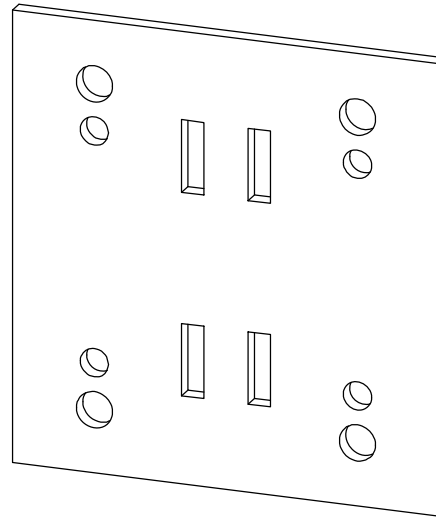
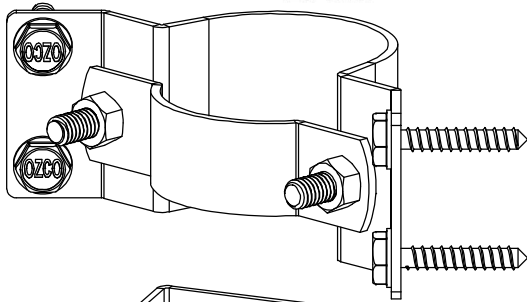
OZCO Project #501 - Patio & Picnic Tables



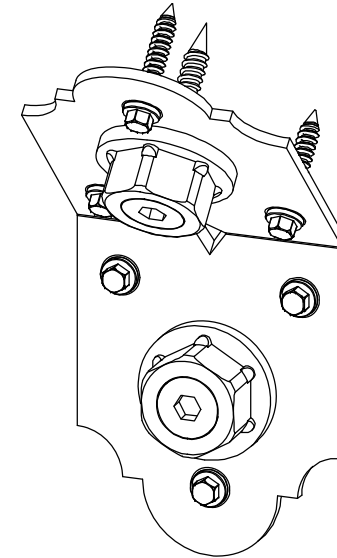
## Transparent 4

OZCO Project #501 - Patio & Picnic Tables

50140



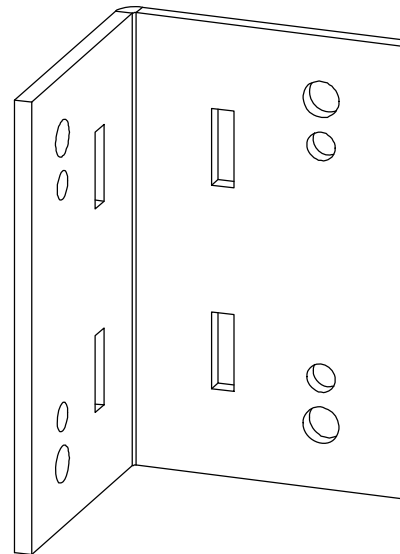
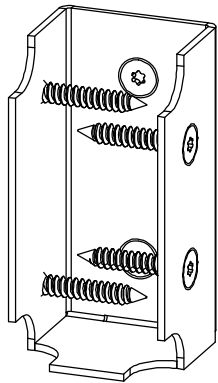
56613



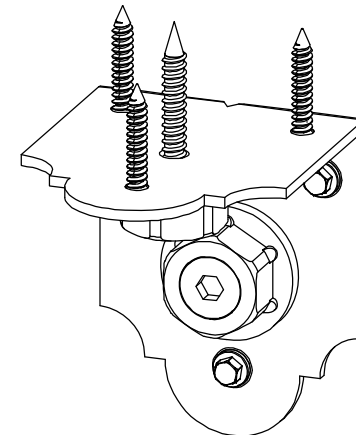
56668



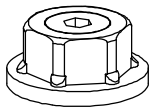
56641



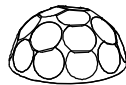
56615



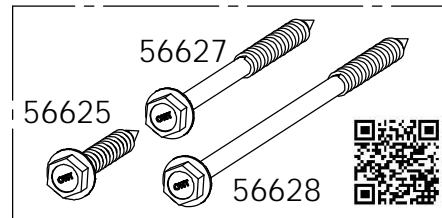
56618



56621



56622



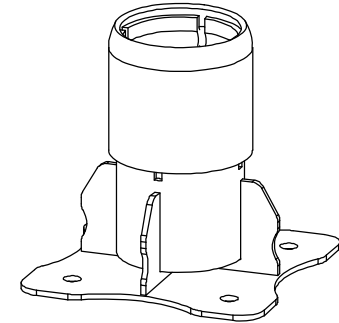
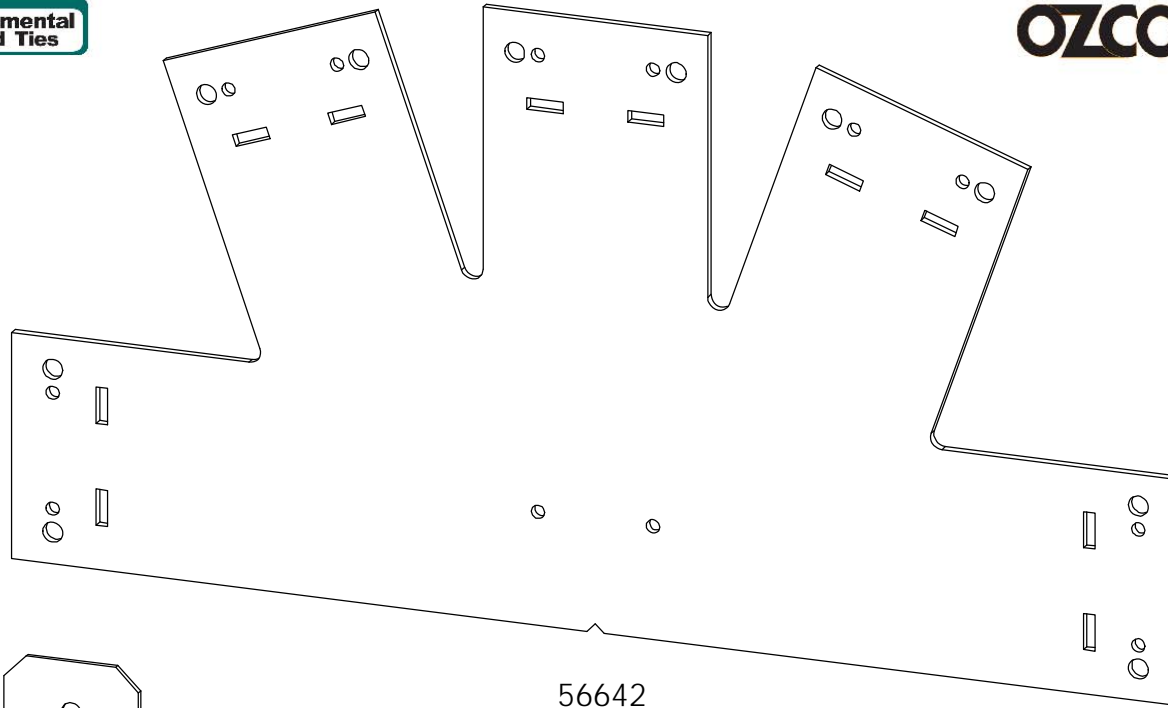
56625

56627

56628



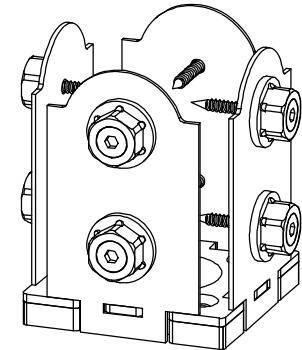
not all Picnic Tables use all of these components.



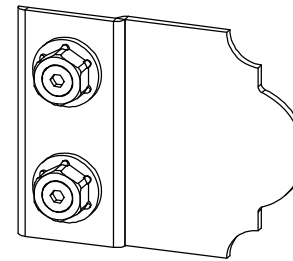
30500



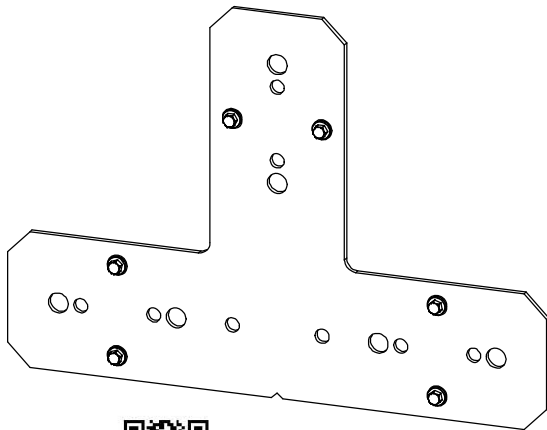
56642



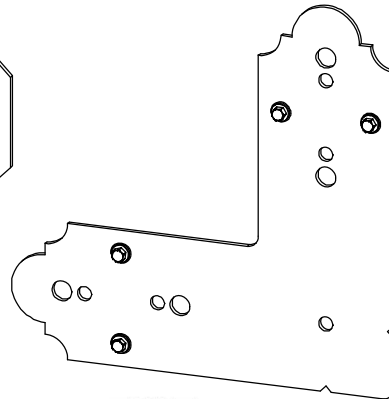
56607



56611



51767



56674



not all Picnic Tables use all of these components.