

DESIGN

PURCHASE

CONSTRUCT

ENJOY

OZCO Project #316 - 12x12 Pergola Double Beam



OZCO BUILDING PRODUCTS

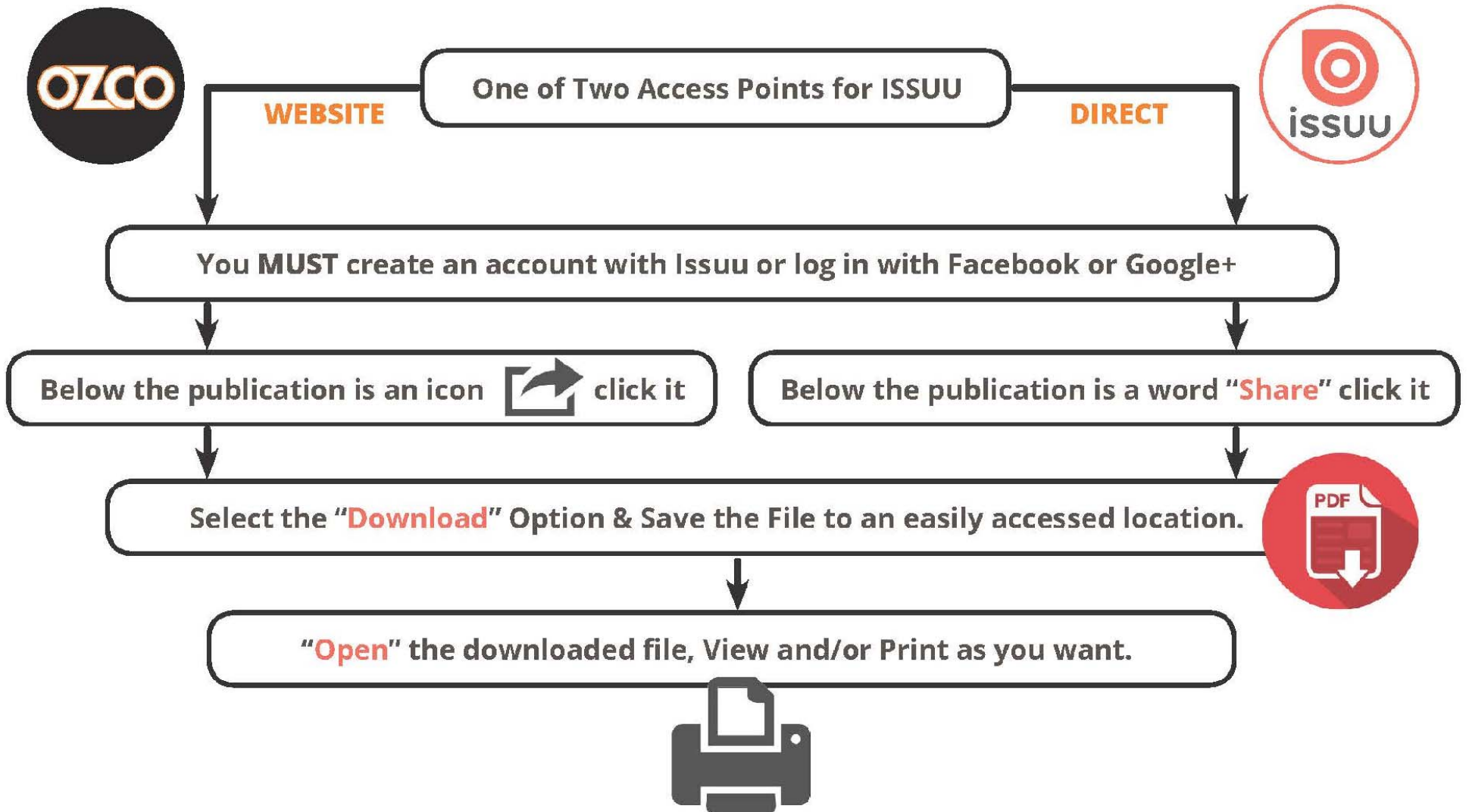
OZCO Project #316 - 12x12 Pergola Double Beam

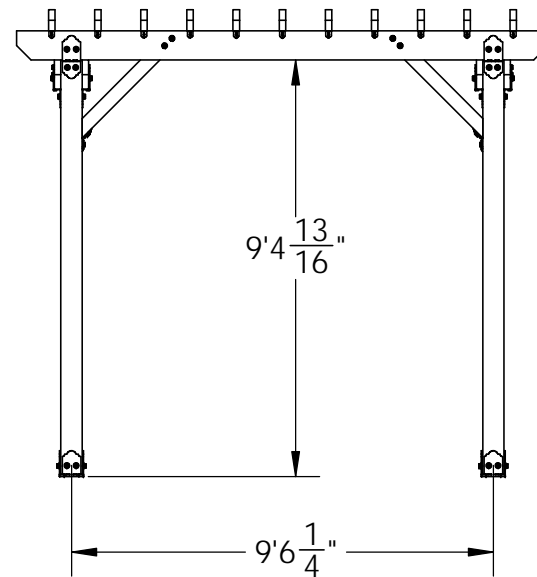
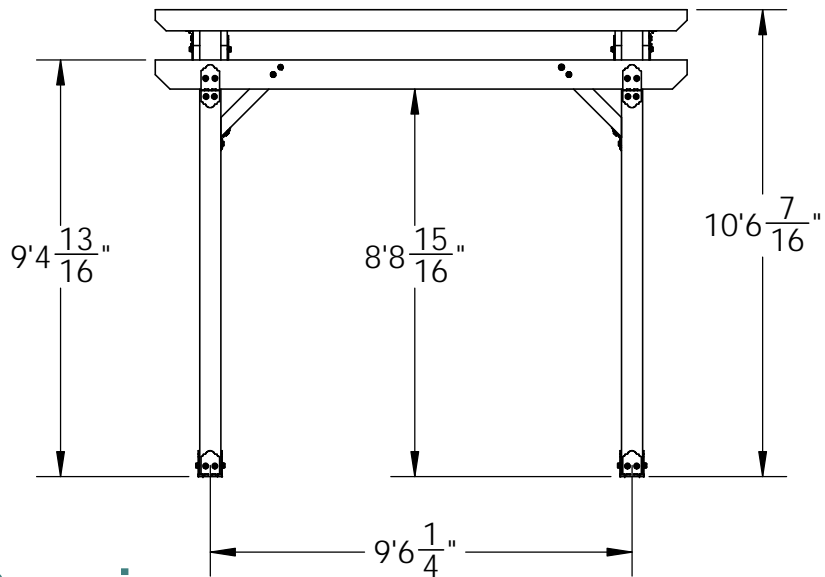
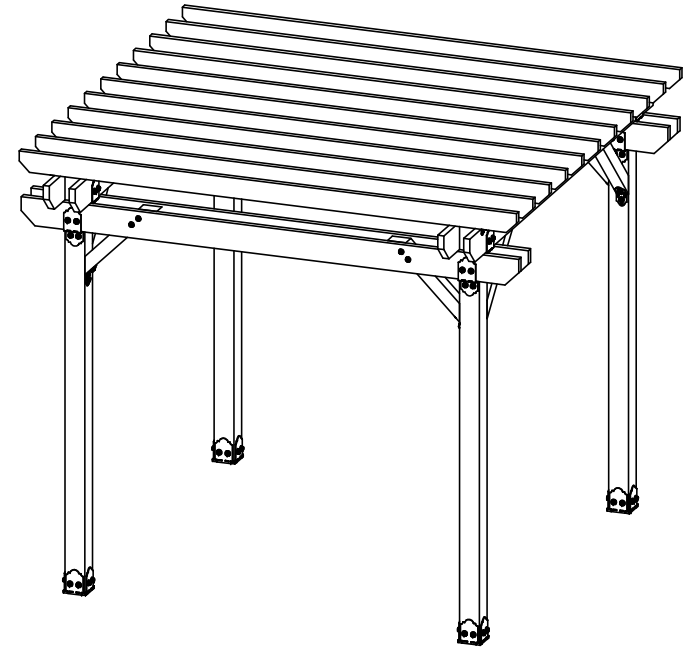
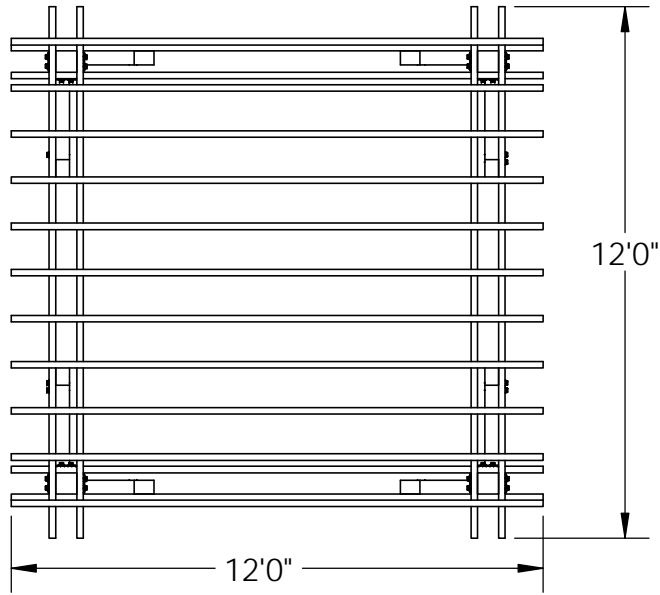
V2.00 - Installation Instructions, Specifications and Project Plans are effective 2/13/2017 . This information is updated periodically and should not be relied upon after 2 years from 2/13/2017 . Please visit OZCOBP.com to get current information. 1



Printing Documents from ISSUU

Unfortunately, there is currently no way to print content directly through issuu. To print a publication, you will need to download it and print it from your computer.





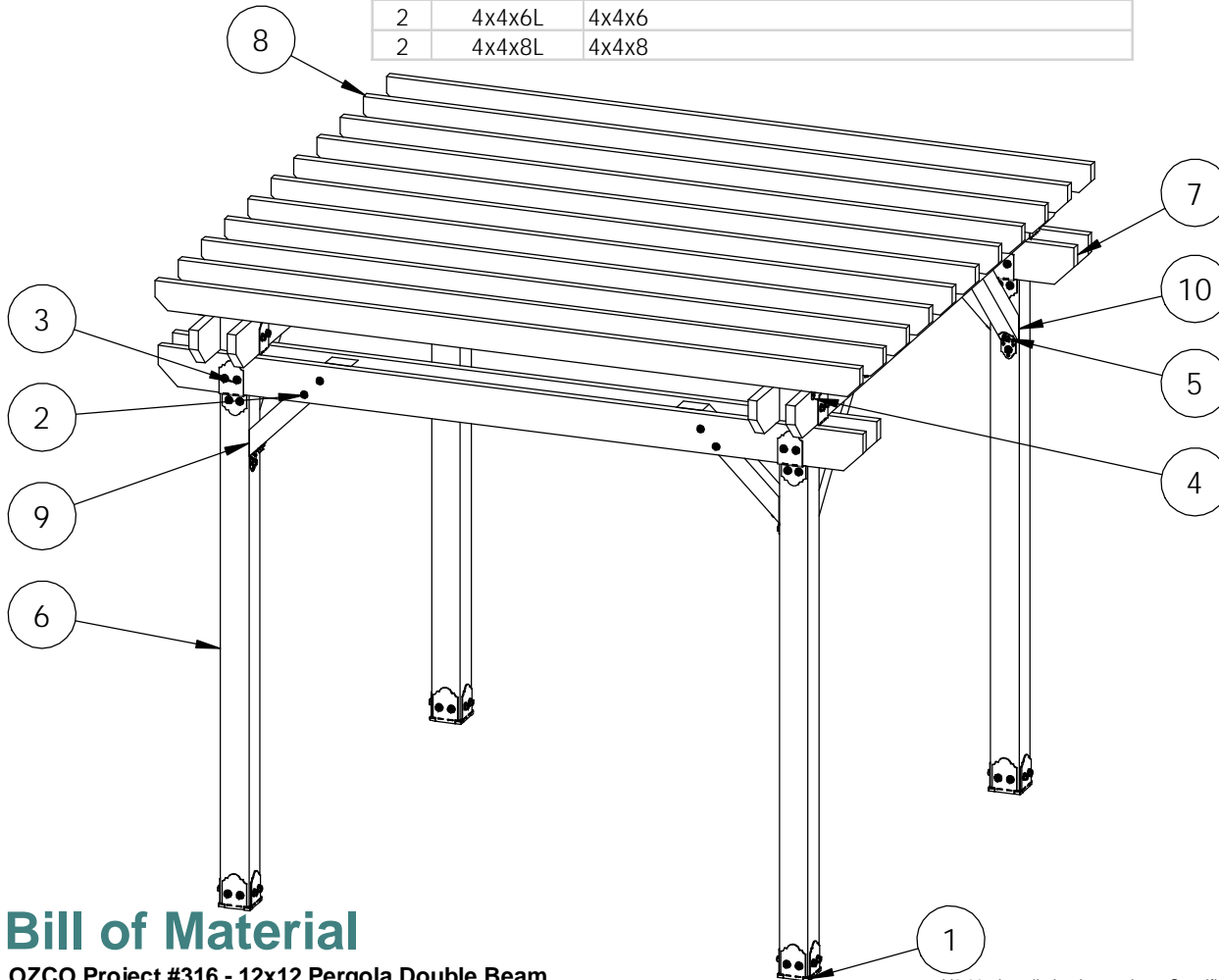
Overview

OZCO Project #316 - 12x12 Pergola Double Beam



Material List

QTY.	PART NUMBER	DESCRIPTION
4	56608	6x6 Post Base (6x6-PB-LS)
1	56628	Screw, OWT 5-3/4" (145mm) Timber
8	56610	8" Post to Beam (P2B-LS-8)
3	56617	2" Standard Rafter Clip (RC-LS-2)
2	56668	4" Flush Inside 45 (FI45-LS-4)
4	6x6x10L	6x6x10
8	2x8x12L	2x8x12
11	2x6x12L	2x6x12
2	4x4x6L	4x4x6
2	4x4x8L	4x4x8

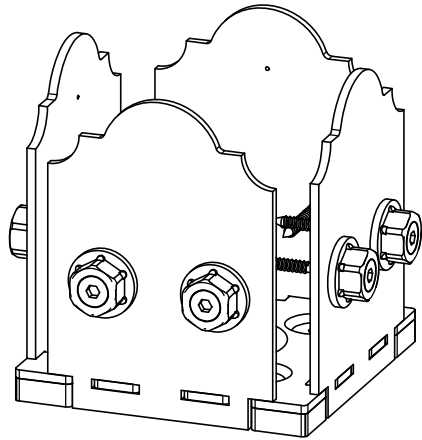


ITEM NO.	QTY.	PART NUMBER	DESCRIPTION
1	4	56608	6x6 Post Base Kit (6X6-PB-LS)
2	1	56628	Screw, OWT 5-3/4" (145mm) Timber with HCN
	2	56621	1 1/2" Hex Cap Nut (HCN)
3	8	56610	Lite 8" Post 2 Beam (8- P2B-LSL)
4	3	56617	2" Standard Rafter Clip (RC-LS-2)
5	2	56668	4" Flush Inside 45 (FI45-LS-4)
6	4	6x6 Cedar Post	6x6x10'0"
7	8	2x8 Cedar Board	2x8x12'0"
8	11	2x6 Cedar Board	2x6x12'0"
9	4	4x4 Cedar Support	4x4x2'5 1/2"
10	4	4x4 Cedar Support	4x4x3'5"

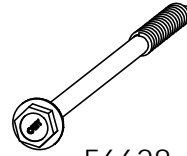
Bill of Material

OZCO Project #316 - 12x12 Pergola Double Beam

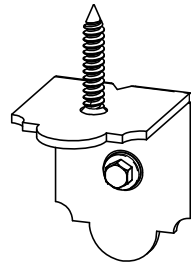
V2.00 - Installation Instructions, Specifications and Project Plans are effective 3/13/2018 . This information is updated periodically 4 and should not be relied upon after 2 years from 3/13/2018 . Please visit OZCOBP.com to get current information.



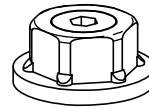
56608



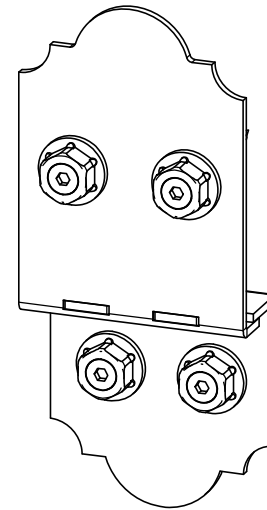
56628



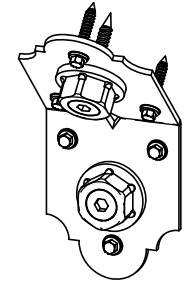
56617



56621



56610



56668



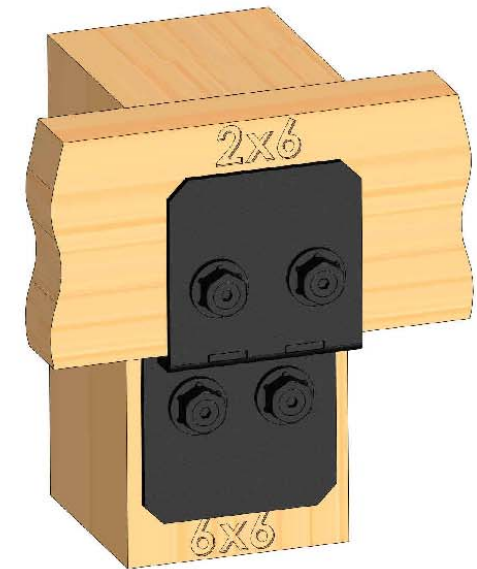
Laredo Sunset & Ironwood



Laredo Sunset
(566XX series)

2 great styles
Same functionality
choose your
connection lifestyle

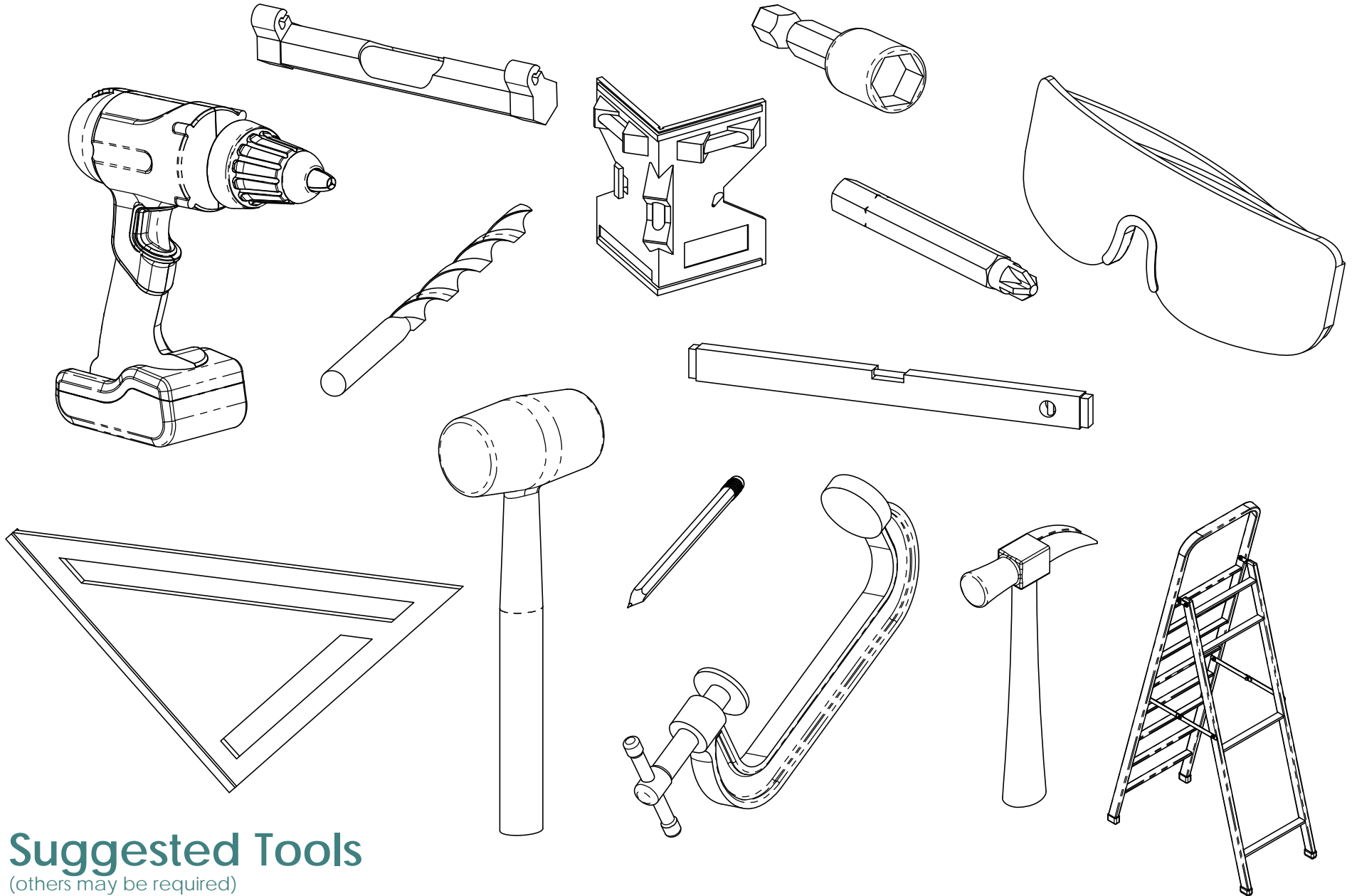
both styles available for
most products



Ironwood
(517XX series)



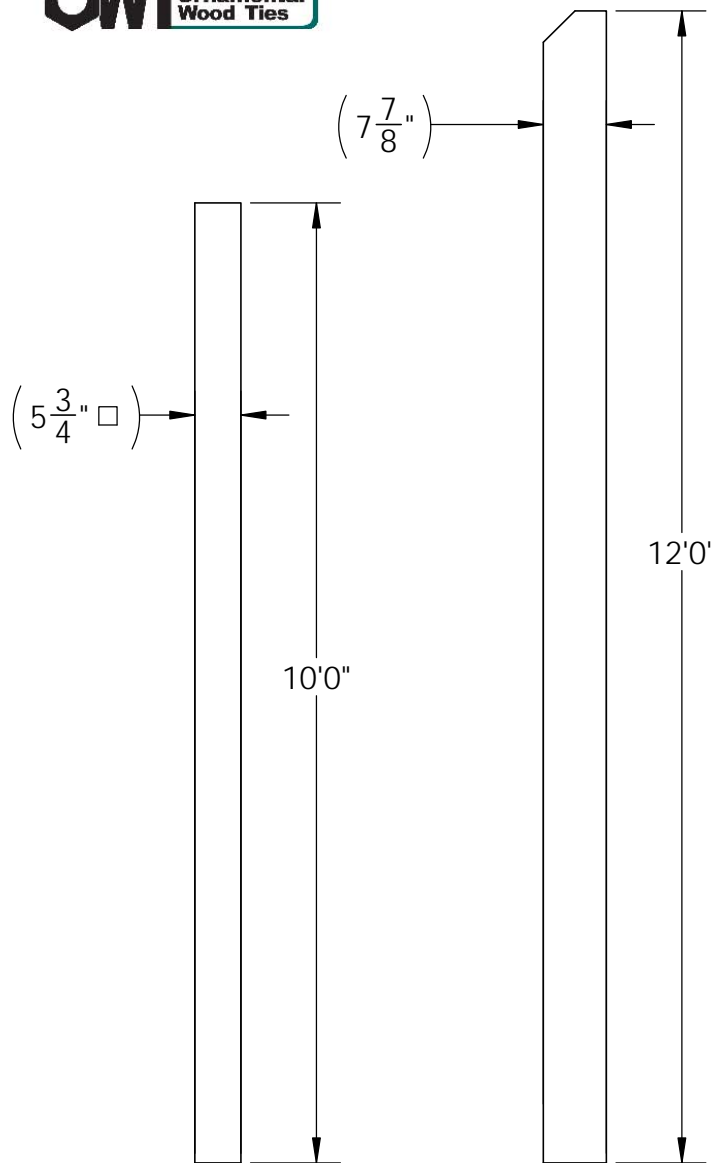
OZCO BUILDING PRODUCTS ■■■



Suggested Tools

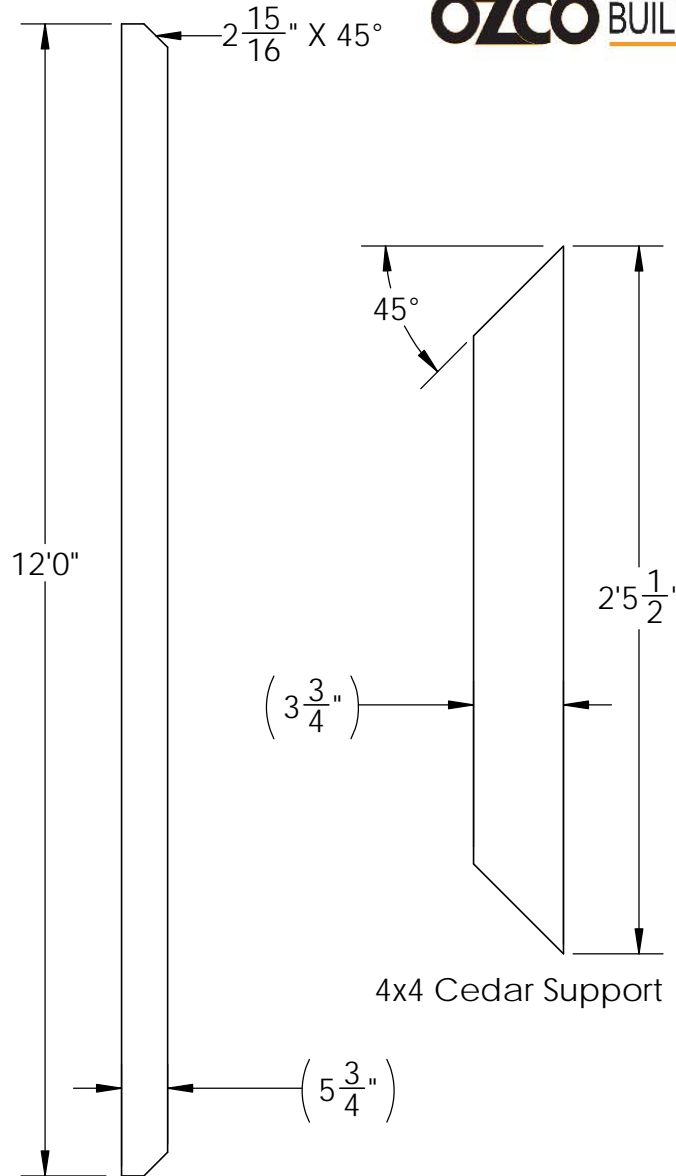
(others may be required)

OZCO Project #316 - 12x12 Pergola Double Beam



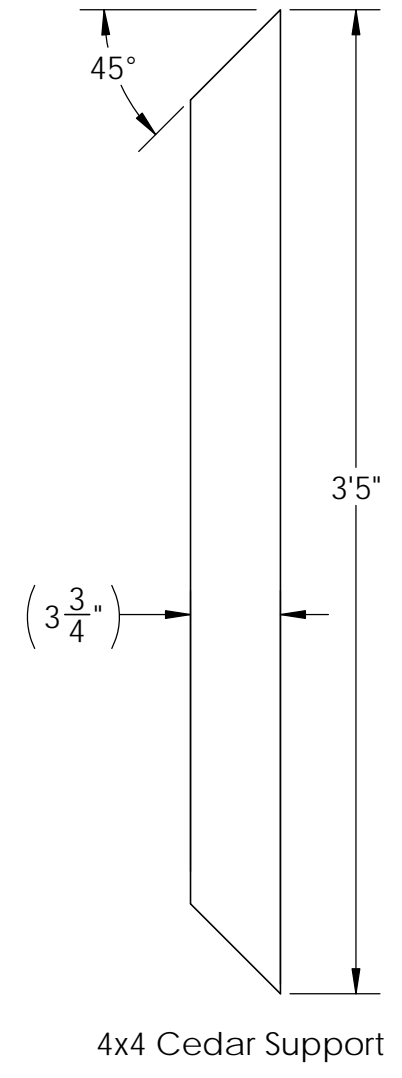
6x6 Cedar Post

2x8 Cedar Board



2x6 Cedar Board

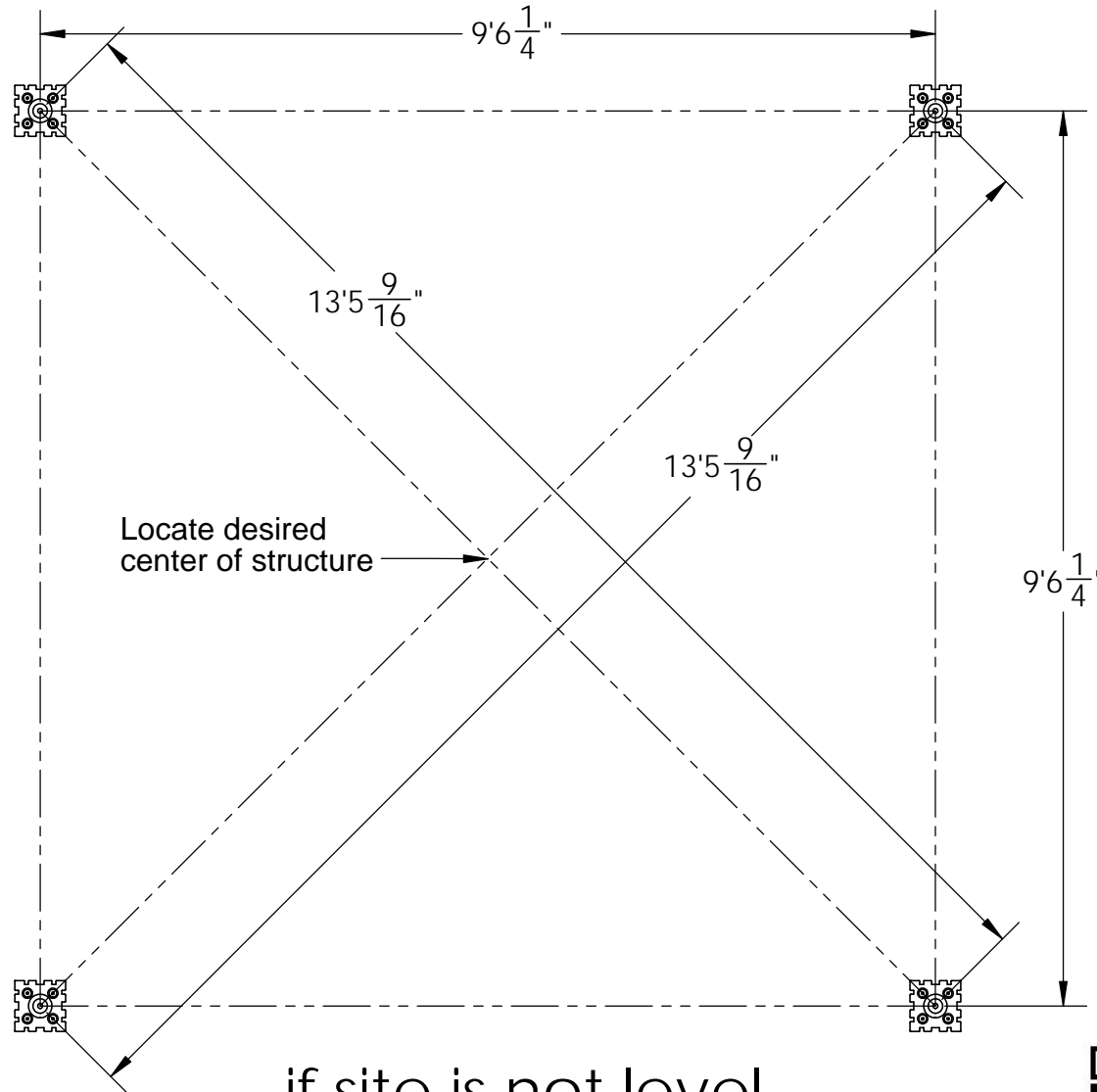
4x4 Cedar Support



4x4 Cedar Support

Cutlist

OZCO Project #316 - 12x12 Pergola Double Beam

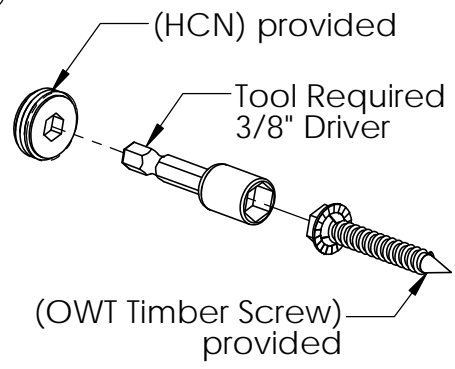
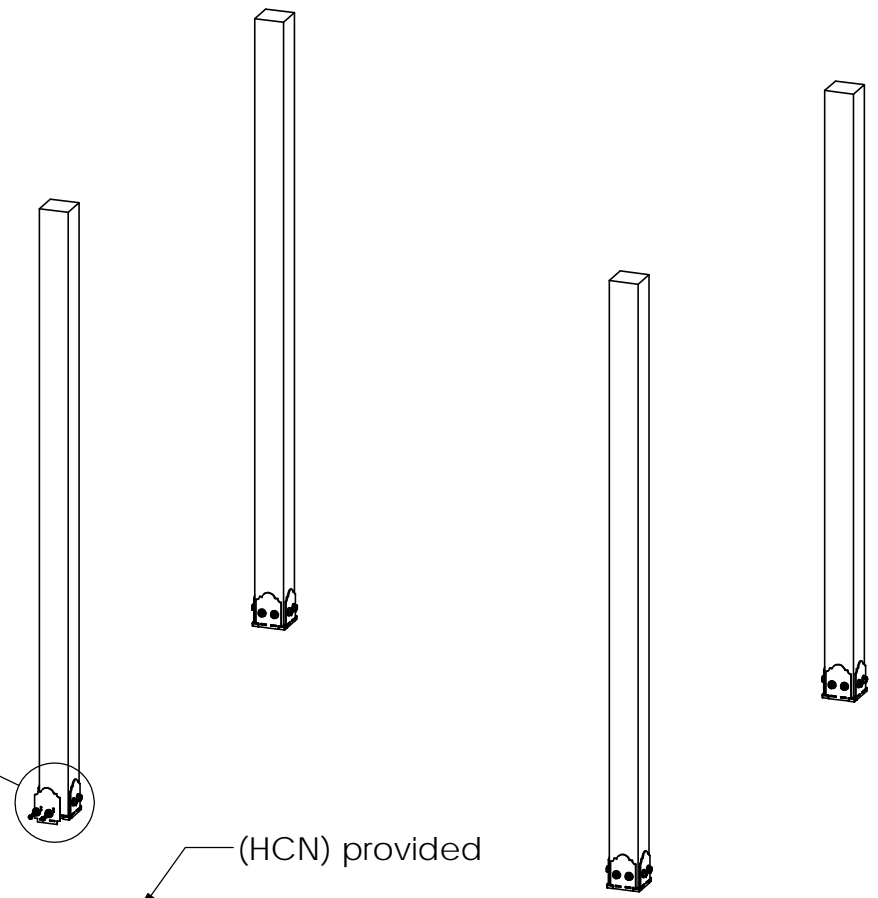
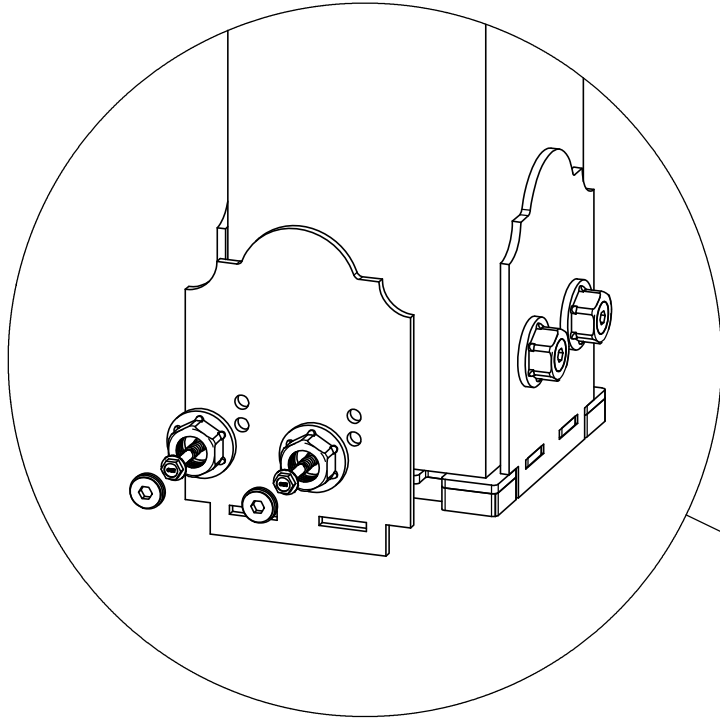


if site is not level,
see Ozco Site Leveling instruction



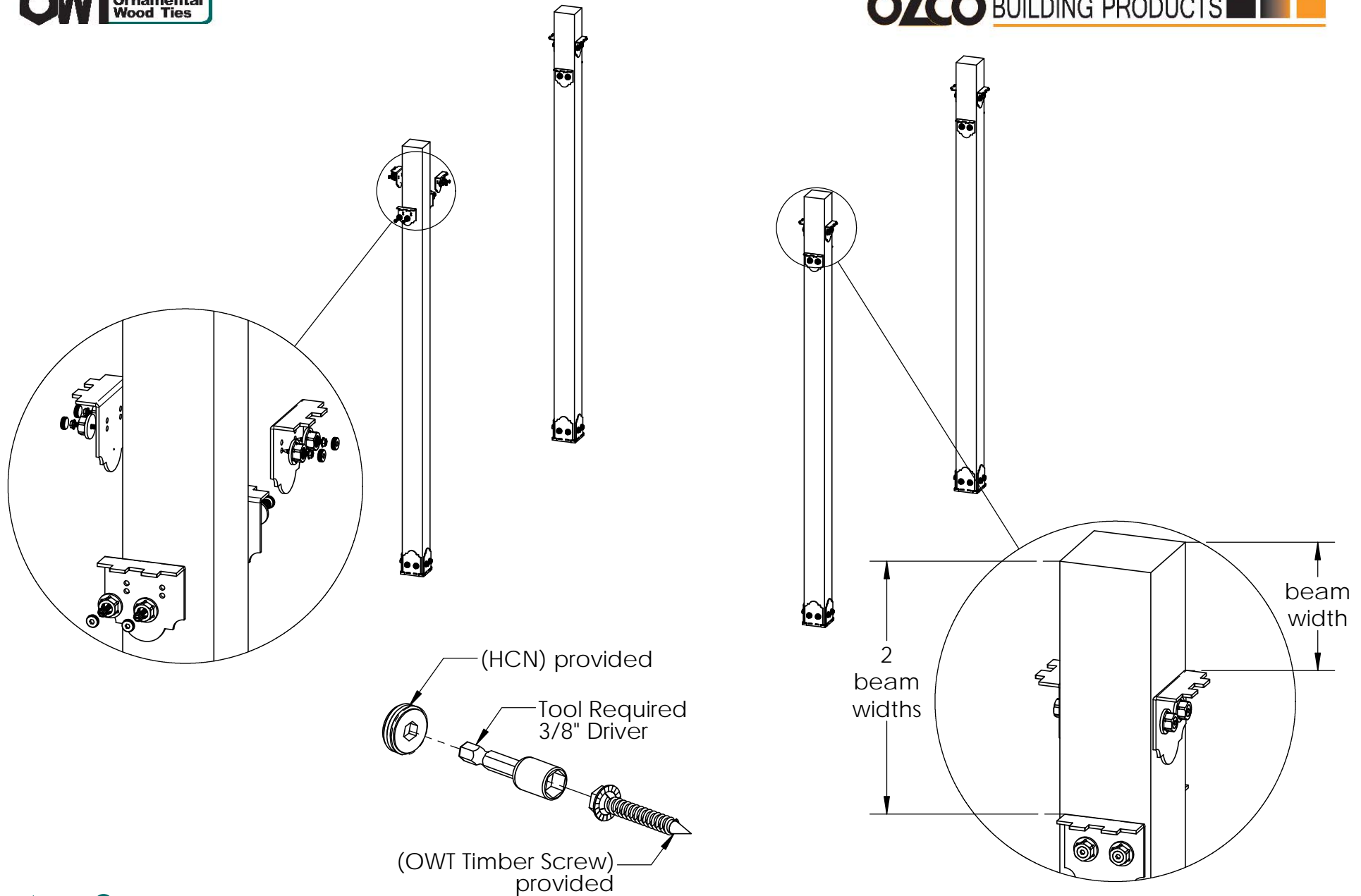
site

OZCO Project #316 - 12x12 Pergola Double Beam



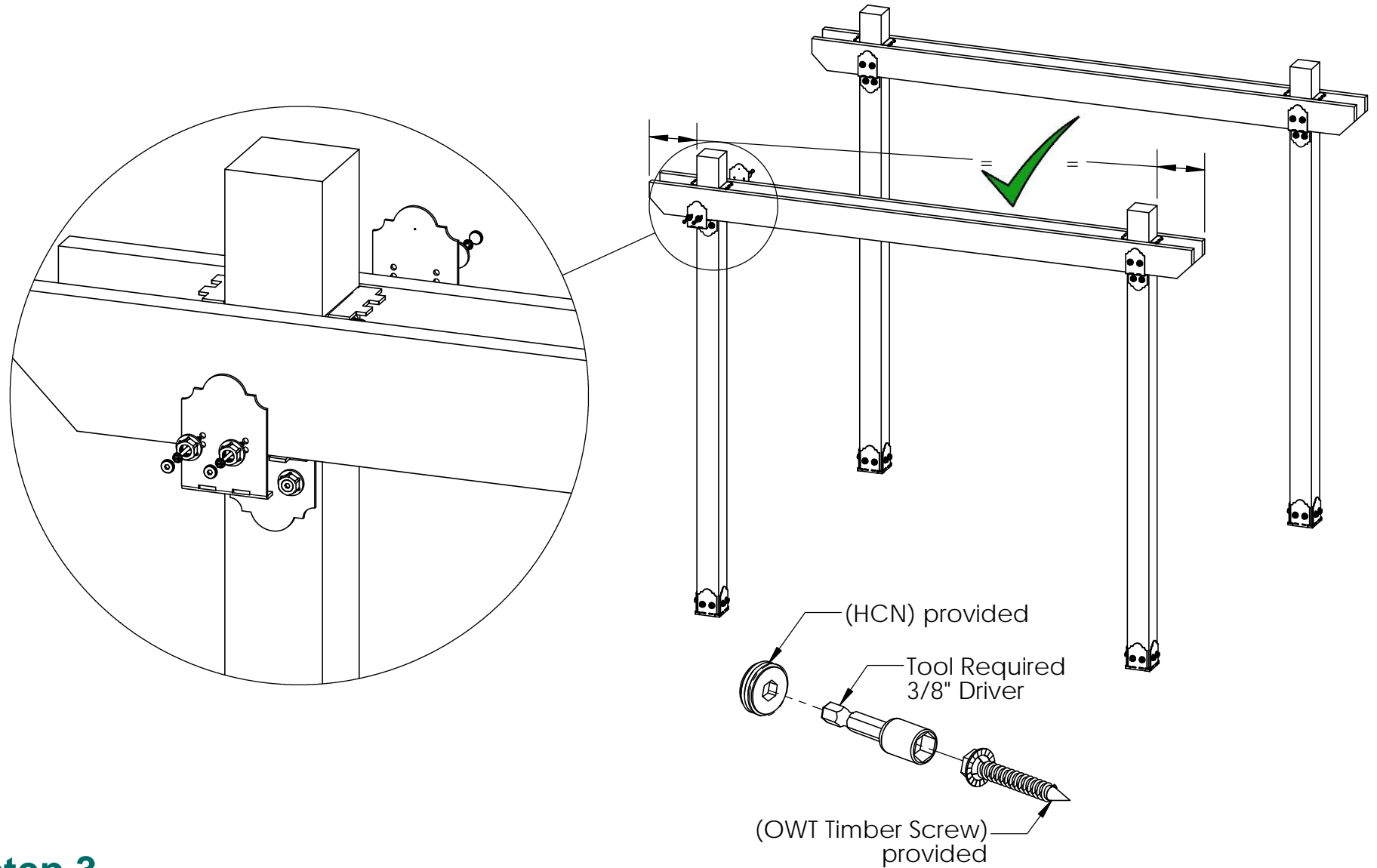
step 1

OZCO Project #316 - 12x12 Pergola Double Beam



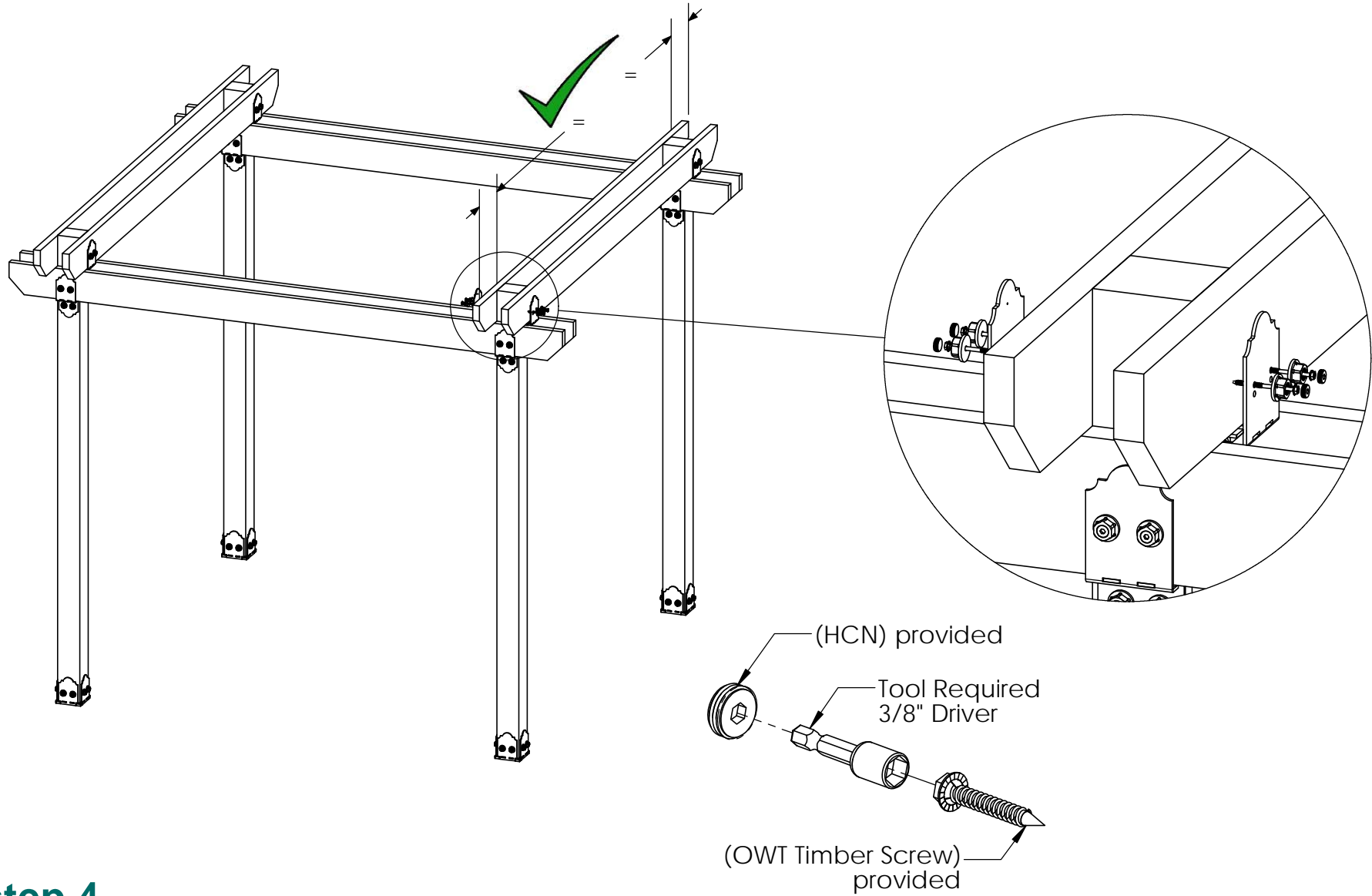
step 2

OZCO Project #316 - 12x12 Pergola Double Beam



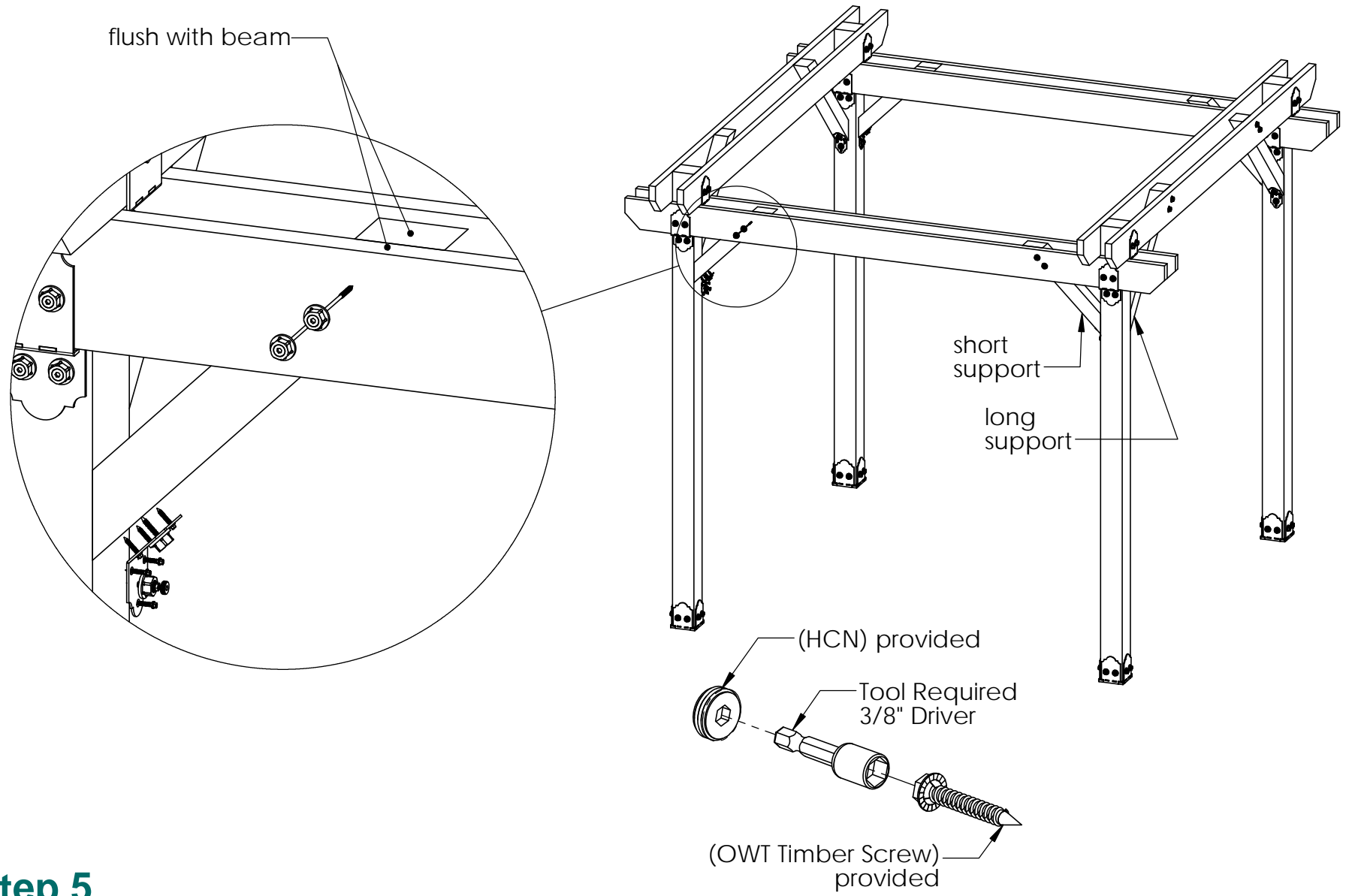
step 3

OZCO Project #316 - 12x12 Pergola Double Beam



step 4

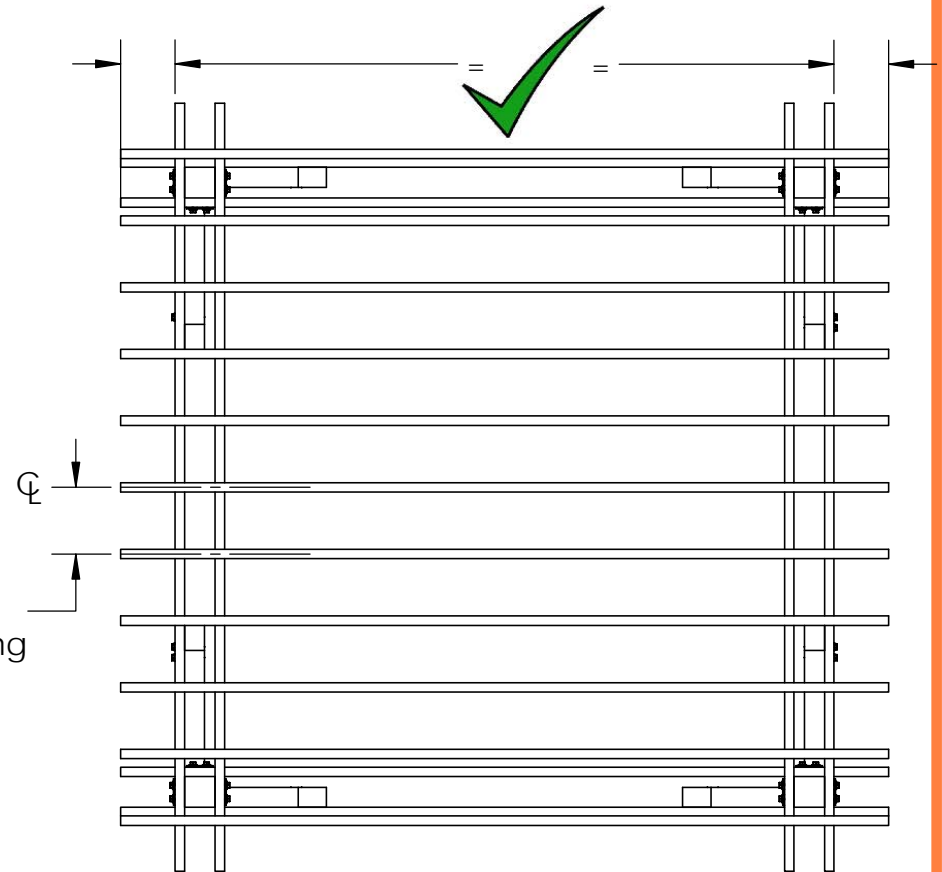
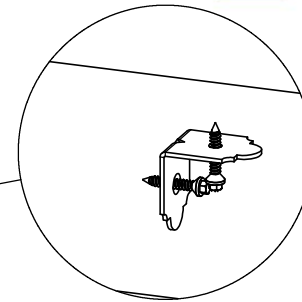
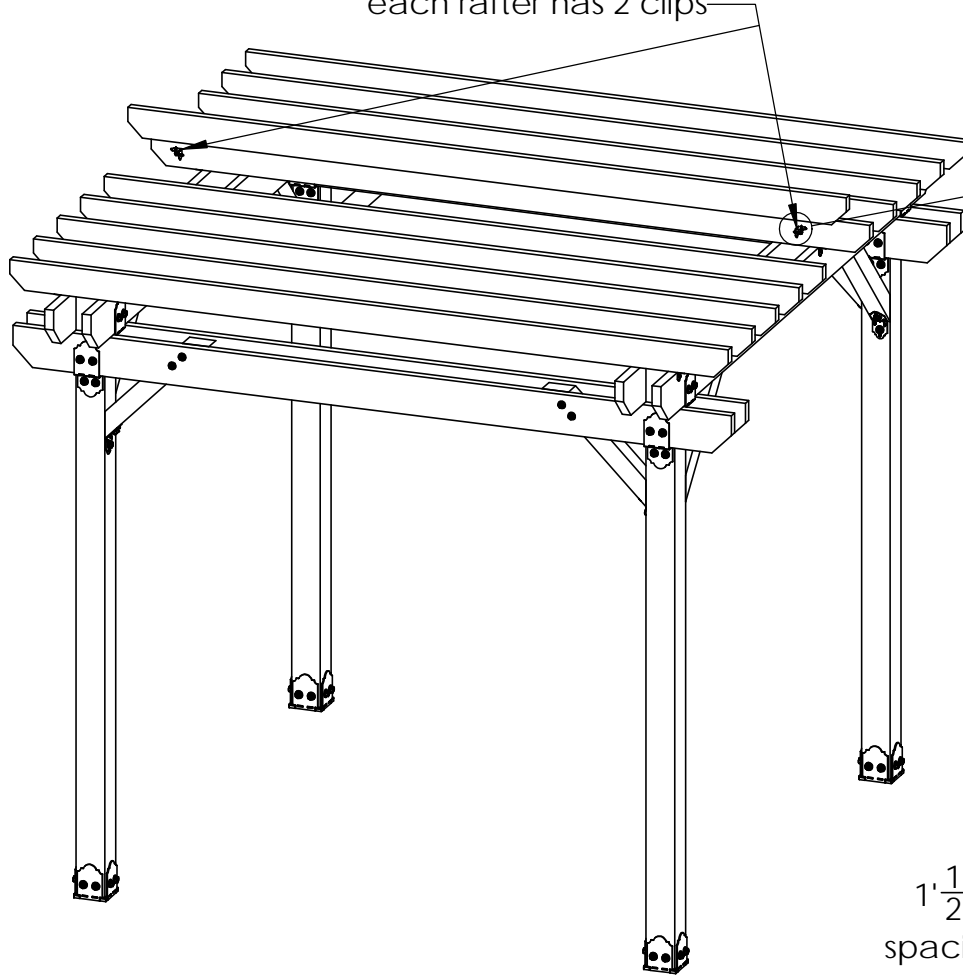
OZCO Project #316 - 12x12 Pergola Double Beam



step 5

OZCO Project #316 - 12x12 Pergola Double Beam

install on both ends
each rafter has 2 clips



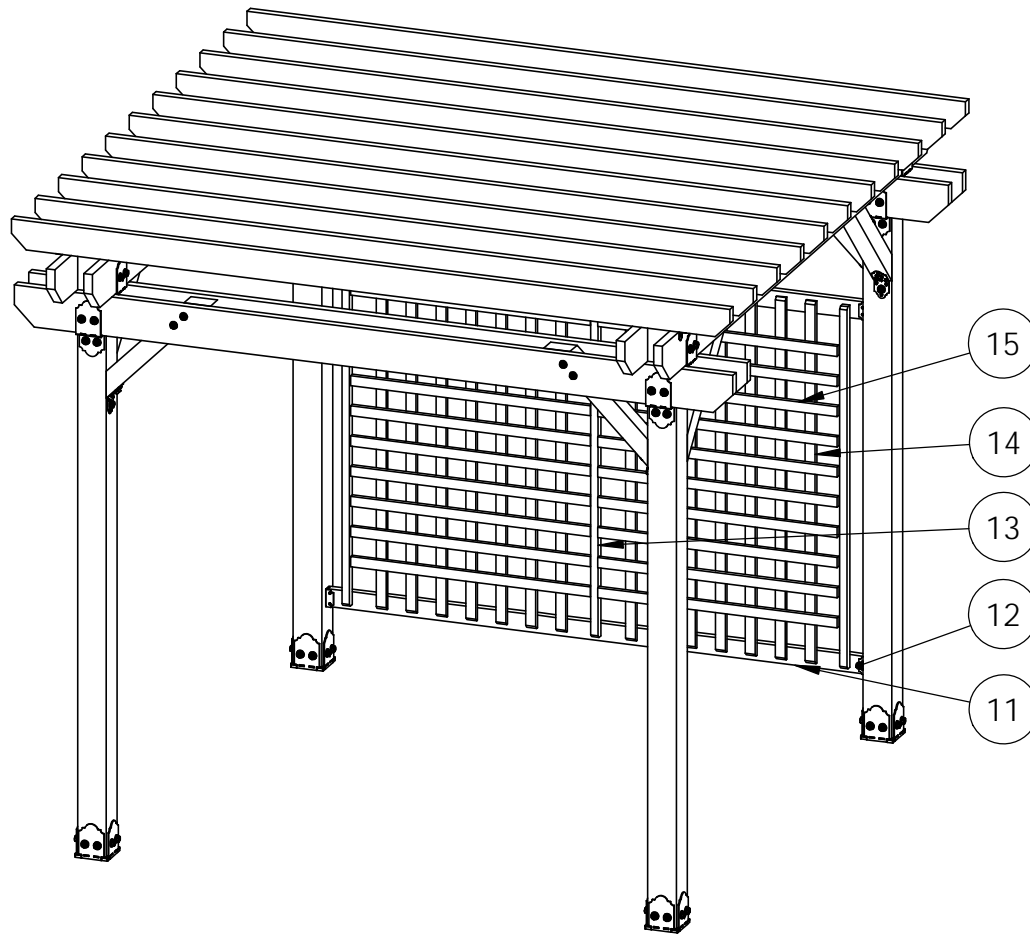
step 6

OZCO Project #316 - 12x12 Pergola Double Beam



Lattice option

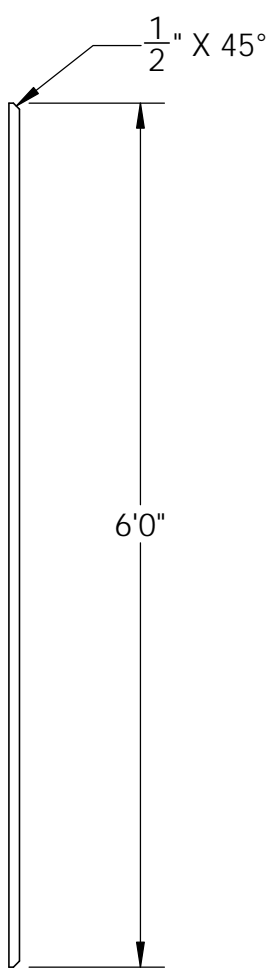
OZCO Project #316 - 12x12 Pergola Double Beam



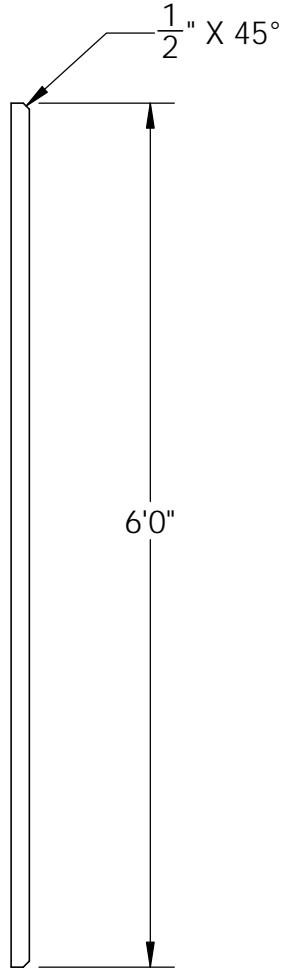
ITEM NO.	QTY.	PART NUMBER	DESCRIPTION
11	2	2x4 Board	2x4x9'0"
12	3	2x2 Cedar Board	2x2x6'0"
13	14	1x2 Cedar Board	1x2x6'0"
14	20	1x2 Cedar Board	1x2x4'0"
15	2	56641	2x4 Top Rail Saddle (2x4-TR)

Bill of Material-Lattice option

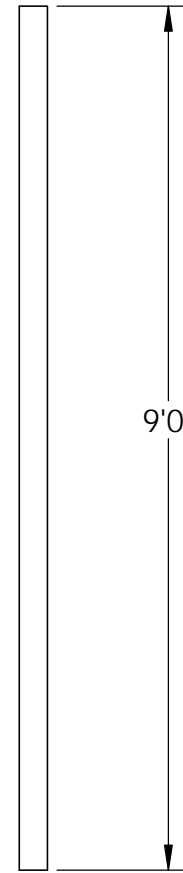
OZCO Project #316 - 12x12 Pergola Double Beam



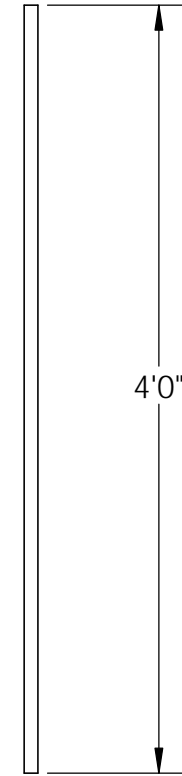
1x2 Cedar Board



2x2 Cedar Board



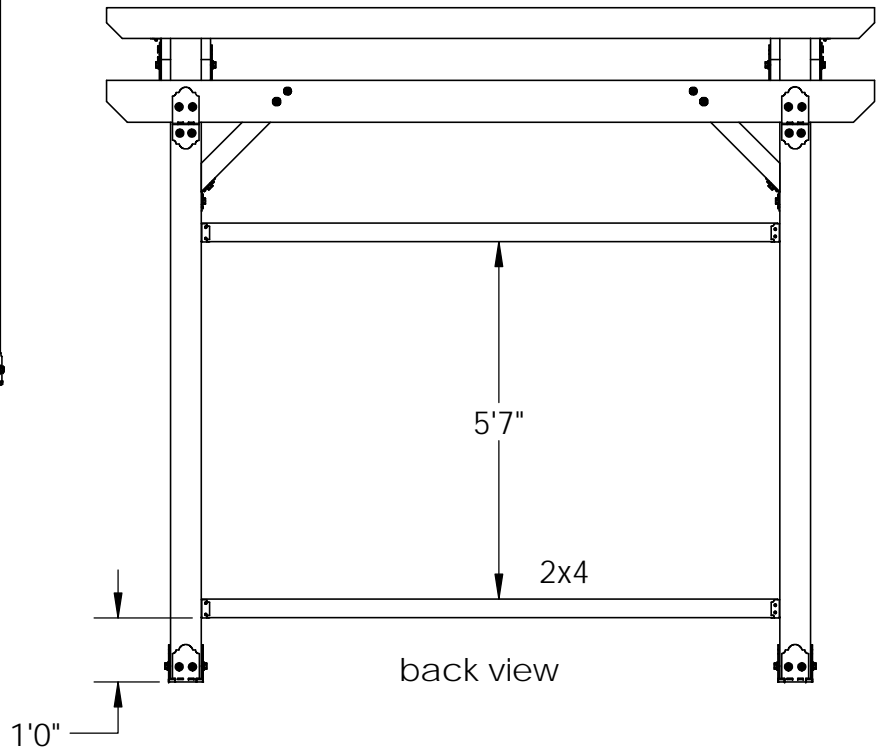
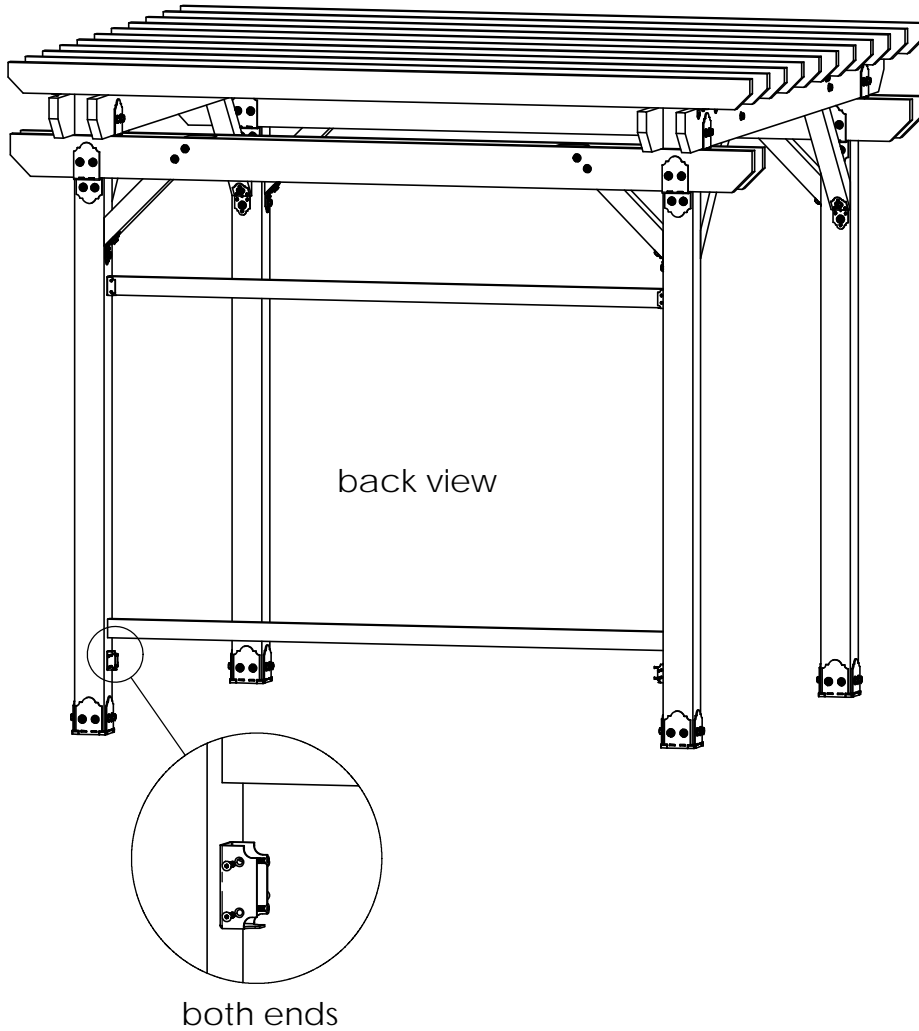
2x4 Board



1x2 Cedar Board

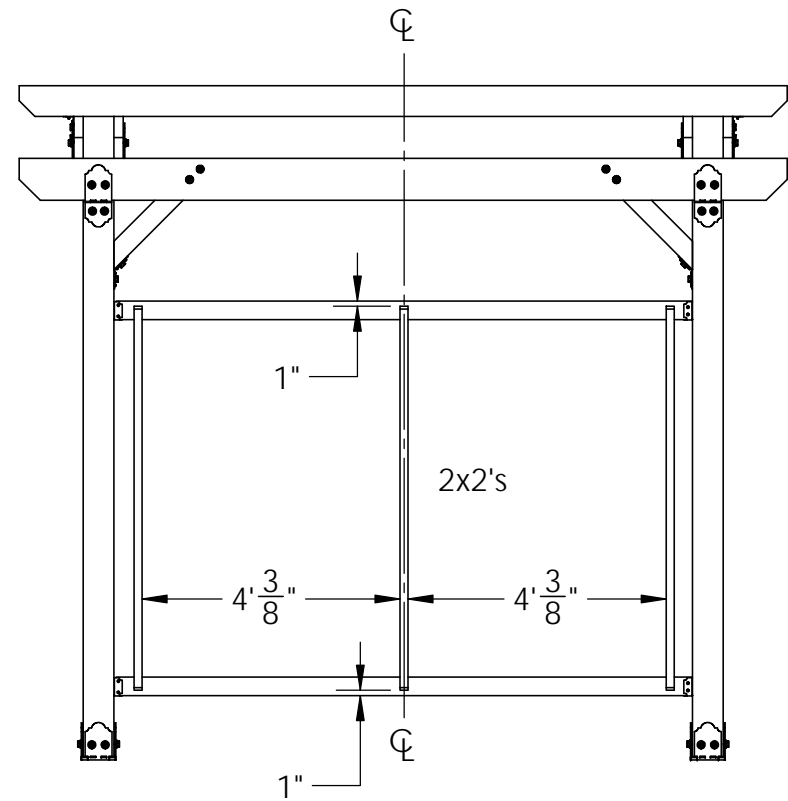
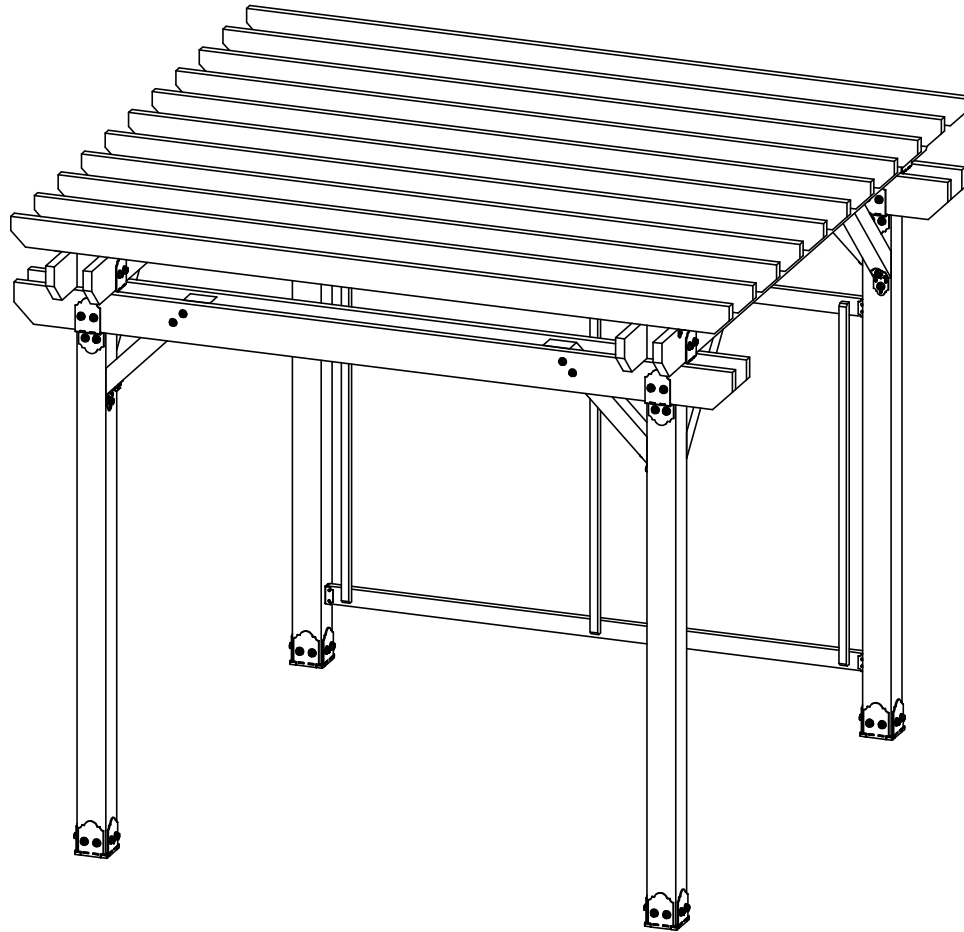
Cutlist-Lattice option

OZCO Project #316 - 12x12 Pergola Double Beam



Lattice step 1

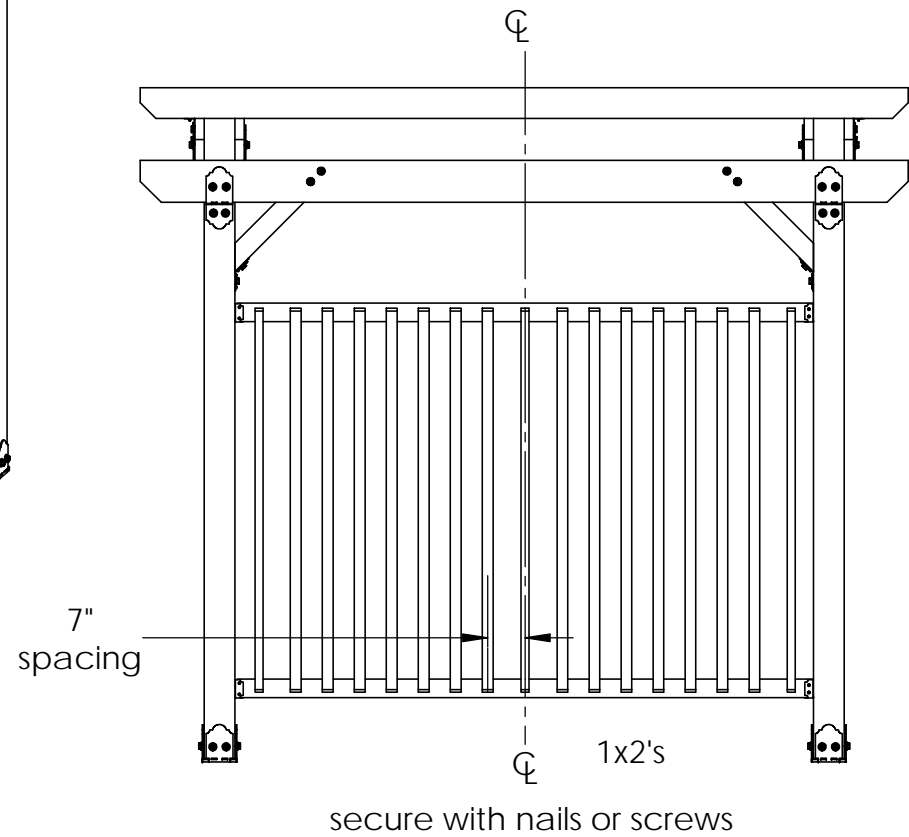
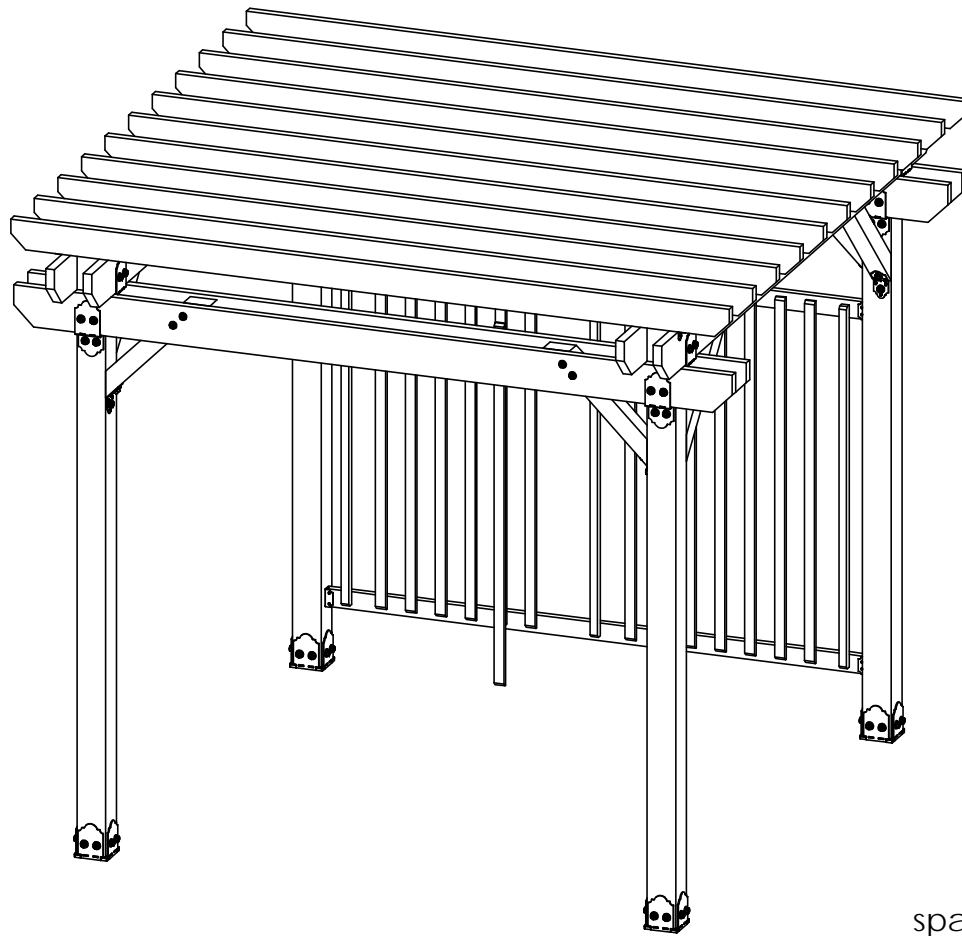
OZCO Project #316 - 12x12 Pergola Double Beam



secure with nails or screws

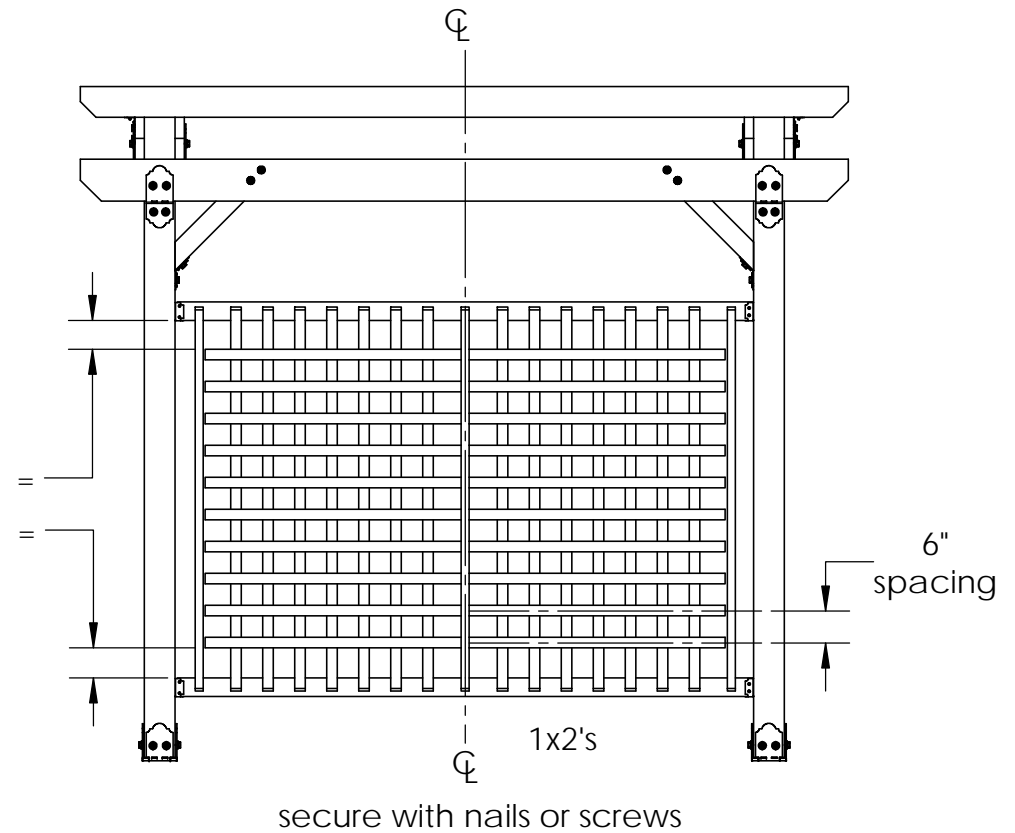
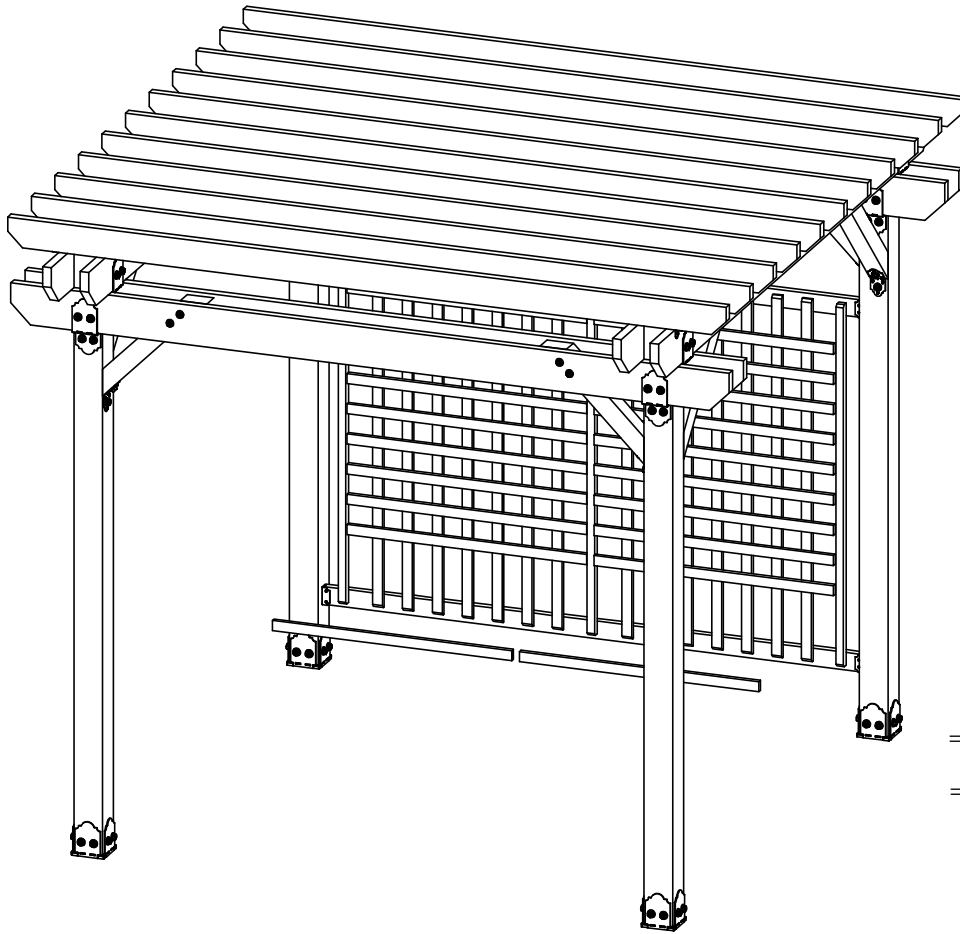
Lattice step 2

OZCO Project #316 - 12x12 Pergola Double Beam



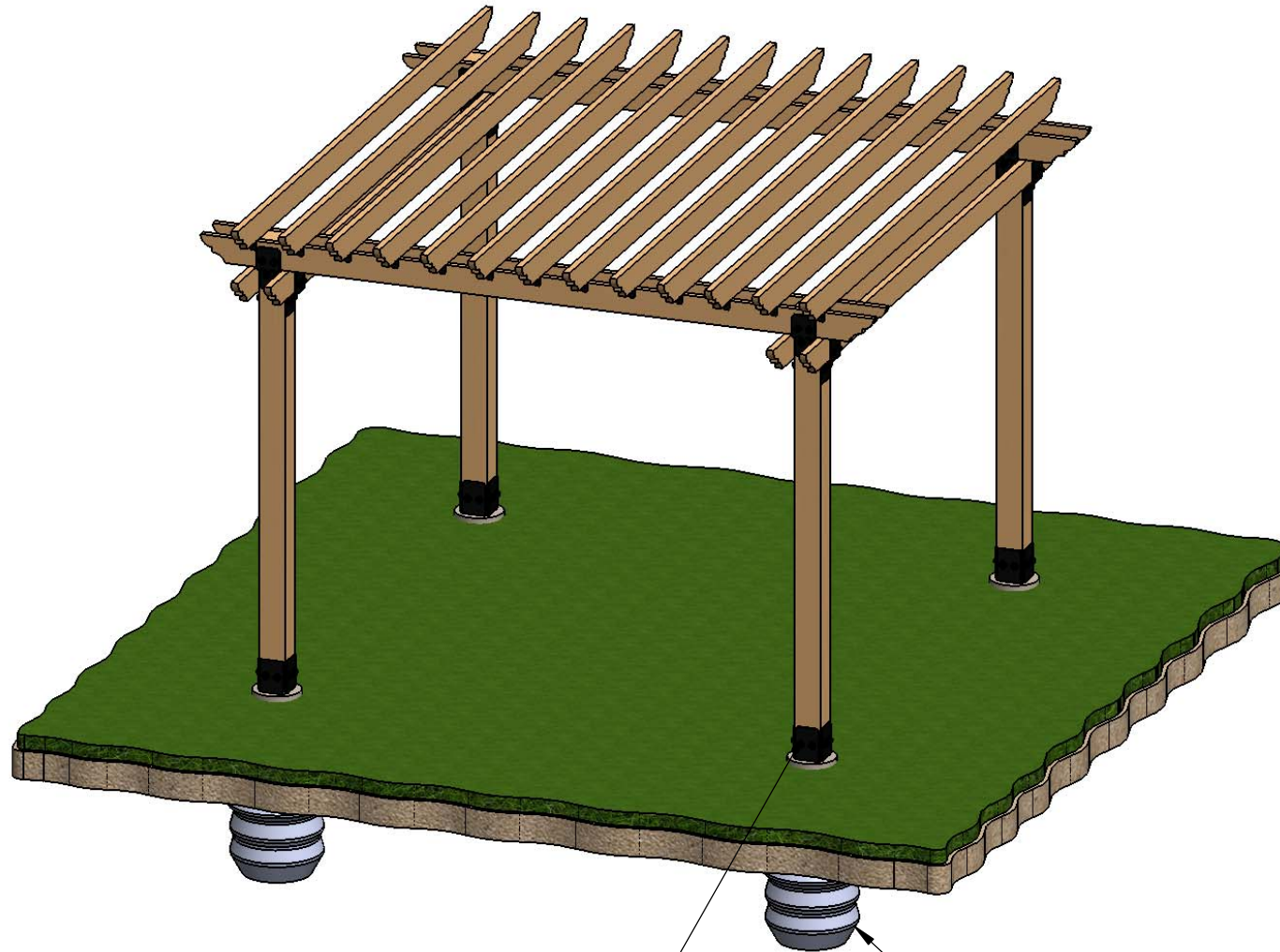
Lattice step 3

OZCO Project #316 - 12x12 Pergola Double Beam



Lattice step 4

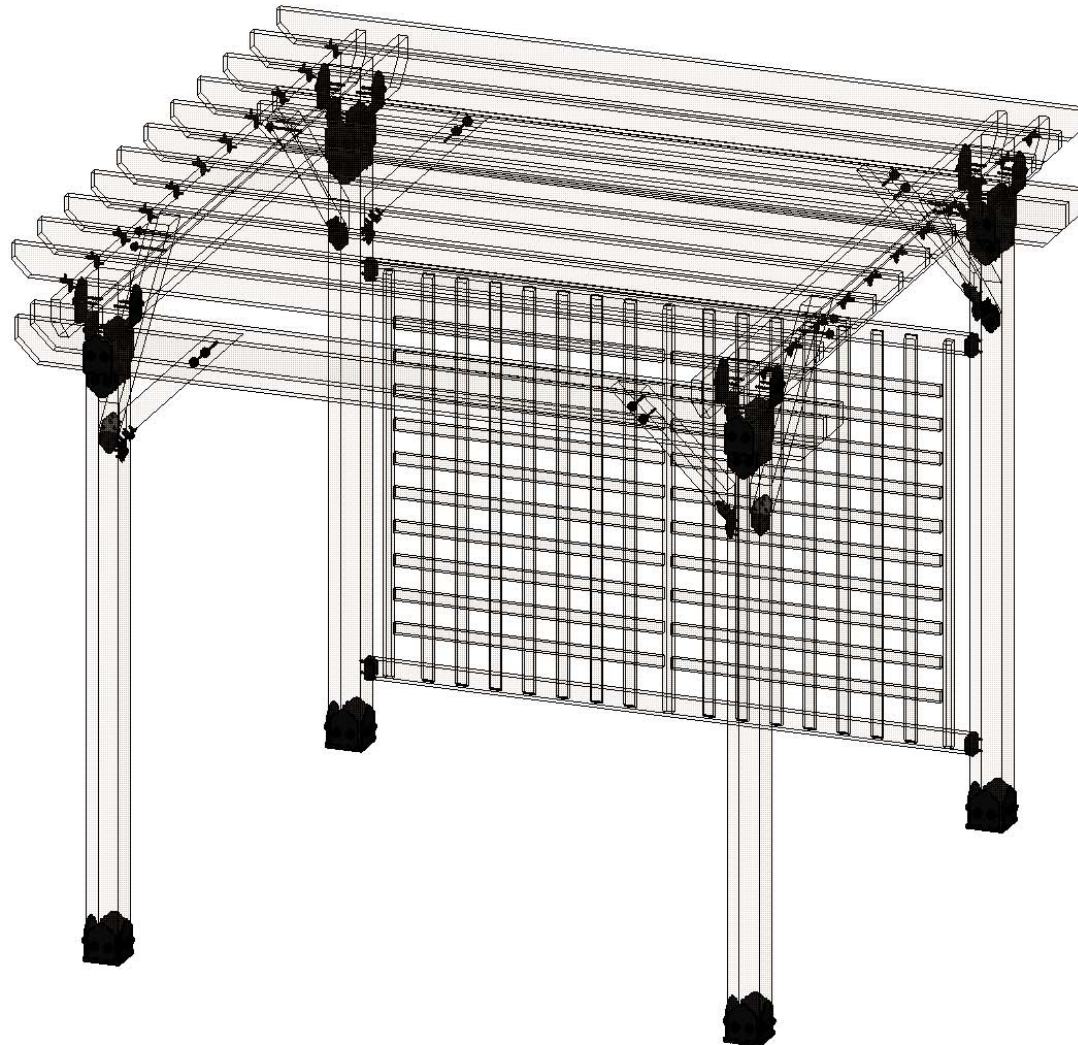
OZCO Project #316 - 12x12 Pergola Double Beam



Faux Post Base
51790 / 56690

posts in ground; concrete footing

Idea's-Ground mounted with Faux Post Base in Ironwood Style



Translucent

OZCO Project #316 - 12x12 Pergola Double Beam