

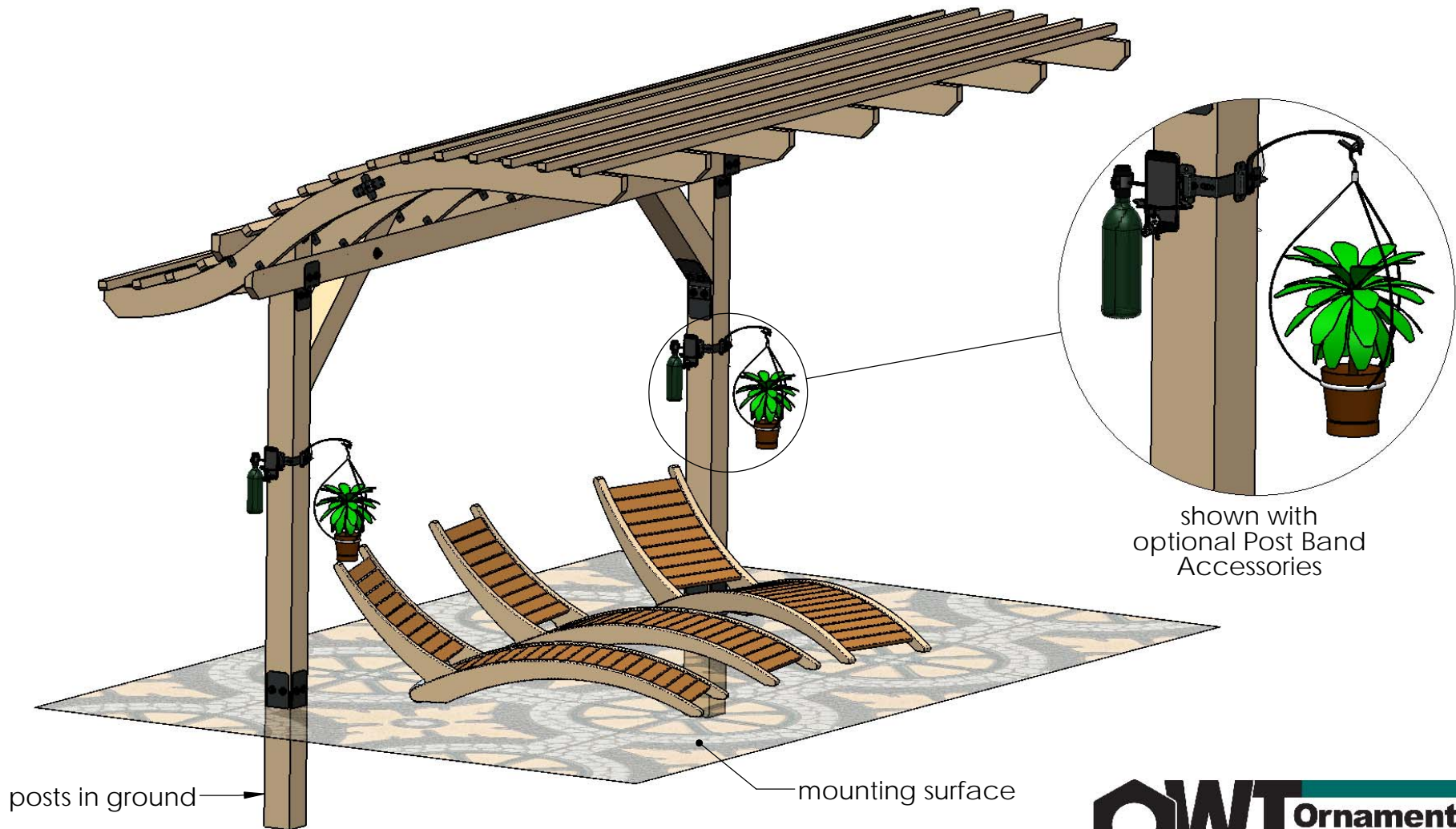
DESIGN

PURCHASE

CONSTRUCT

ENJOY

OZCO Project #343 - 10x16 Arched Pool Shade with 6x6 Posts



shown with
optional Post Band
Accessories

posts in ground

mounting surface

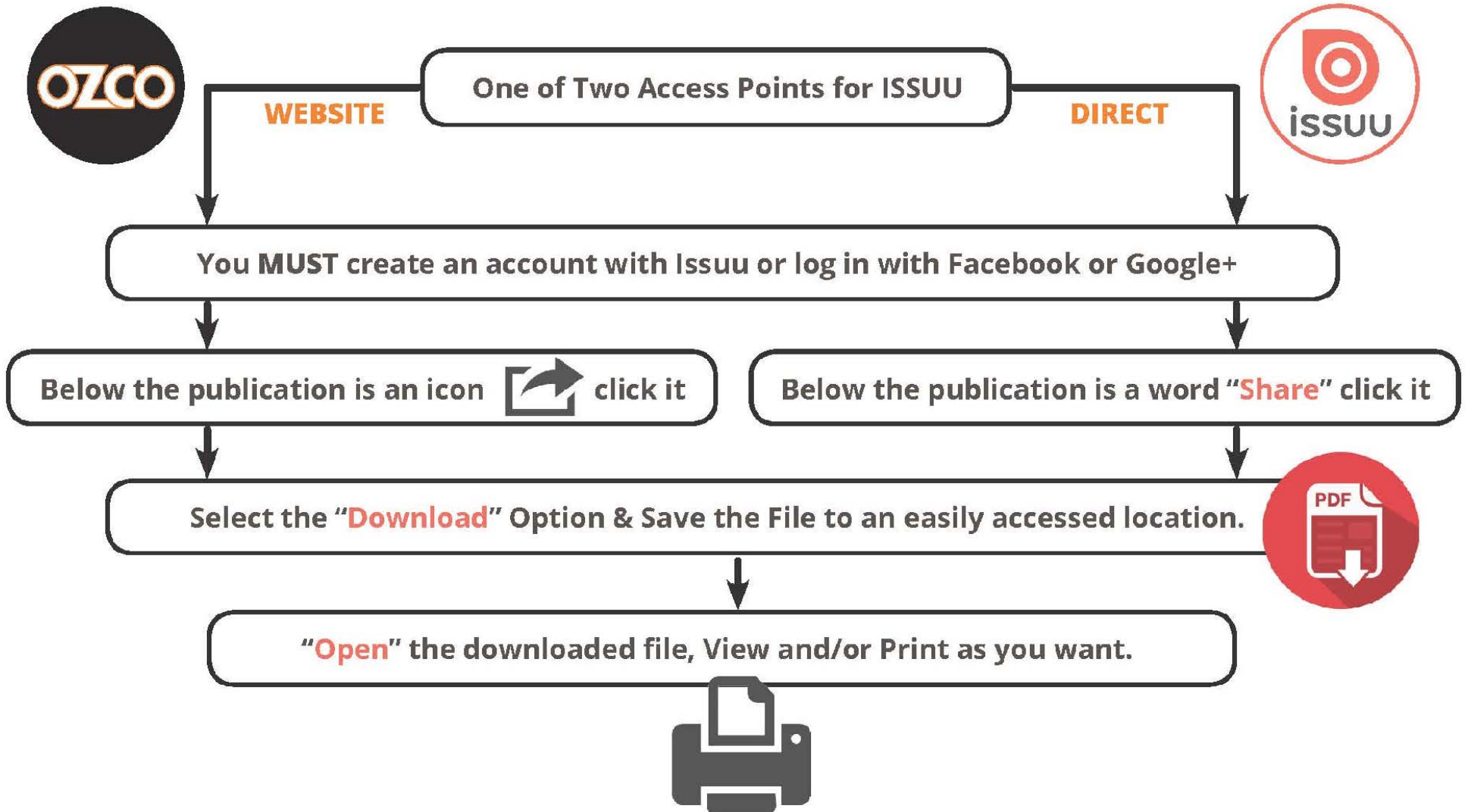


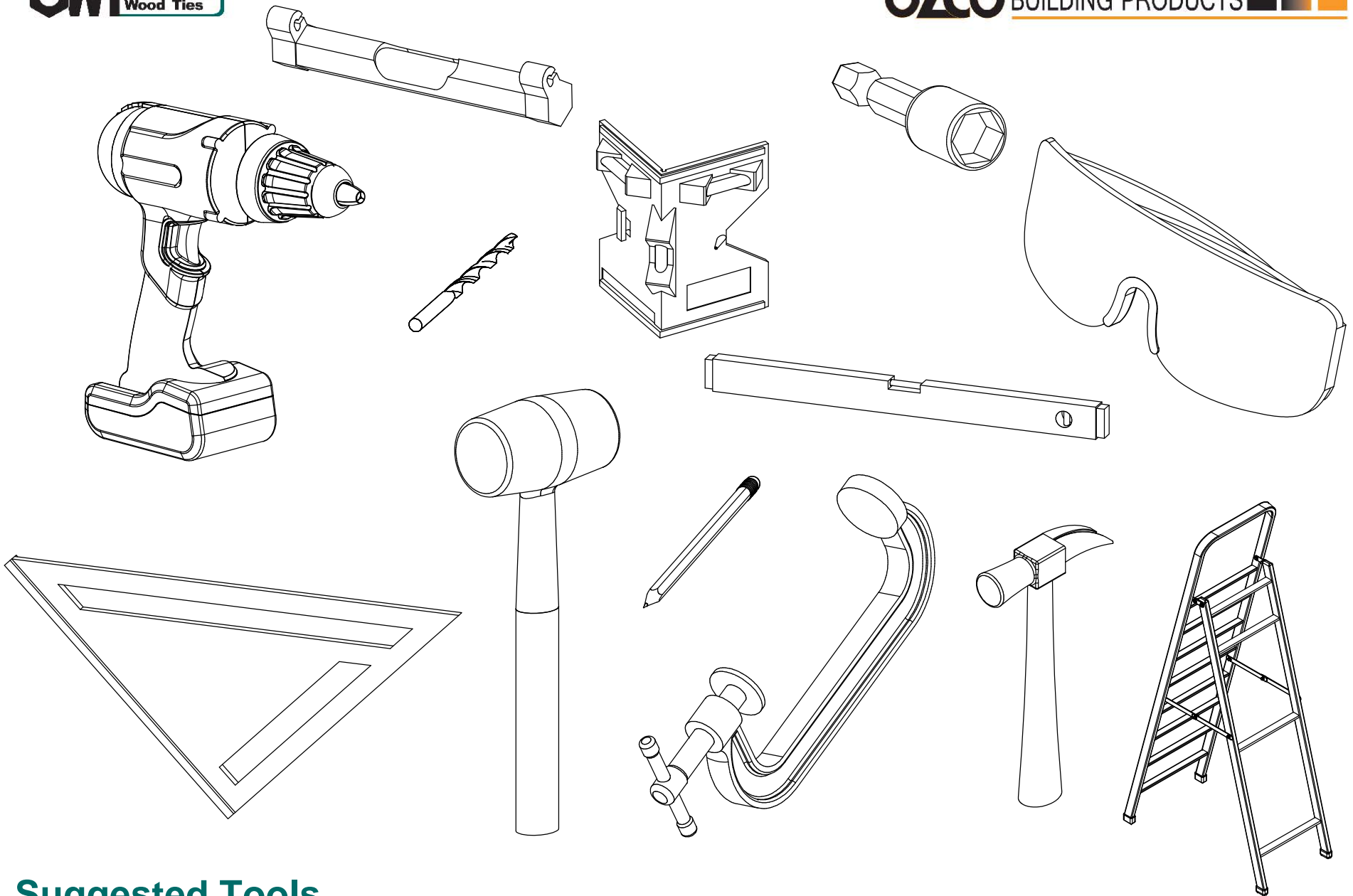
OZCO BUILDING PRODUCTS



Printing Documents from ISSUU

Unfortunately, there is currently no way to print content directly through issuu. To print a publication, you will need to download it and print it from your computer.

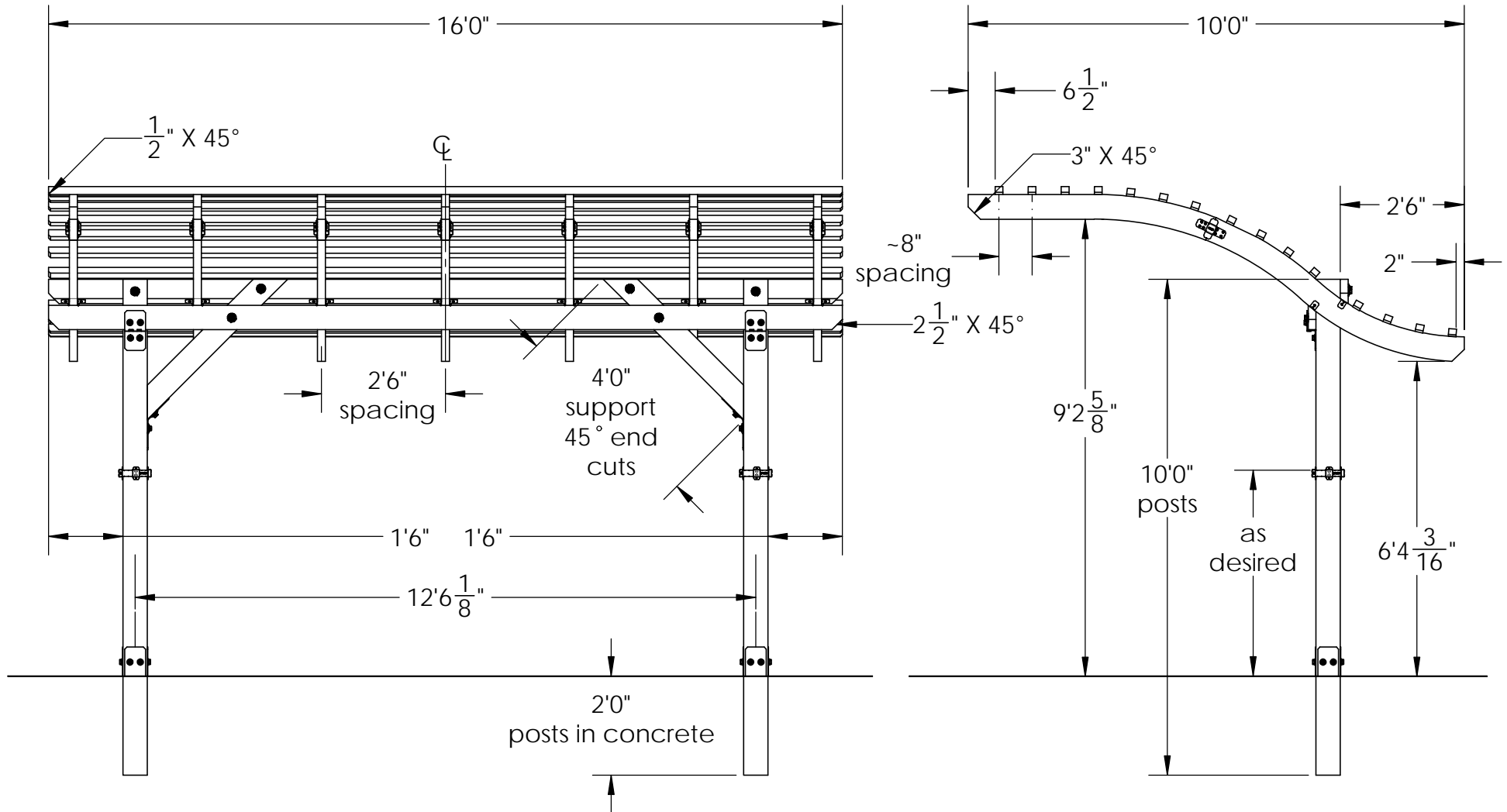




Suggested Tools

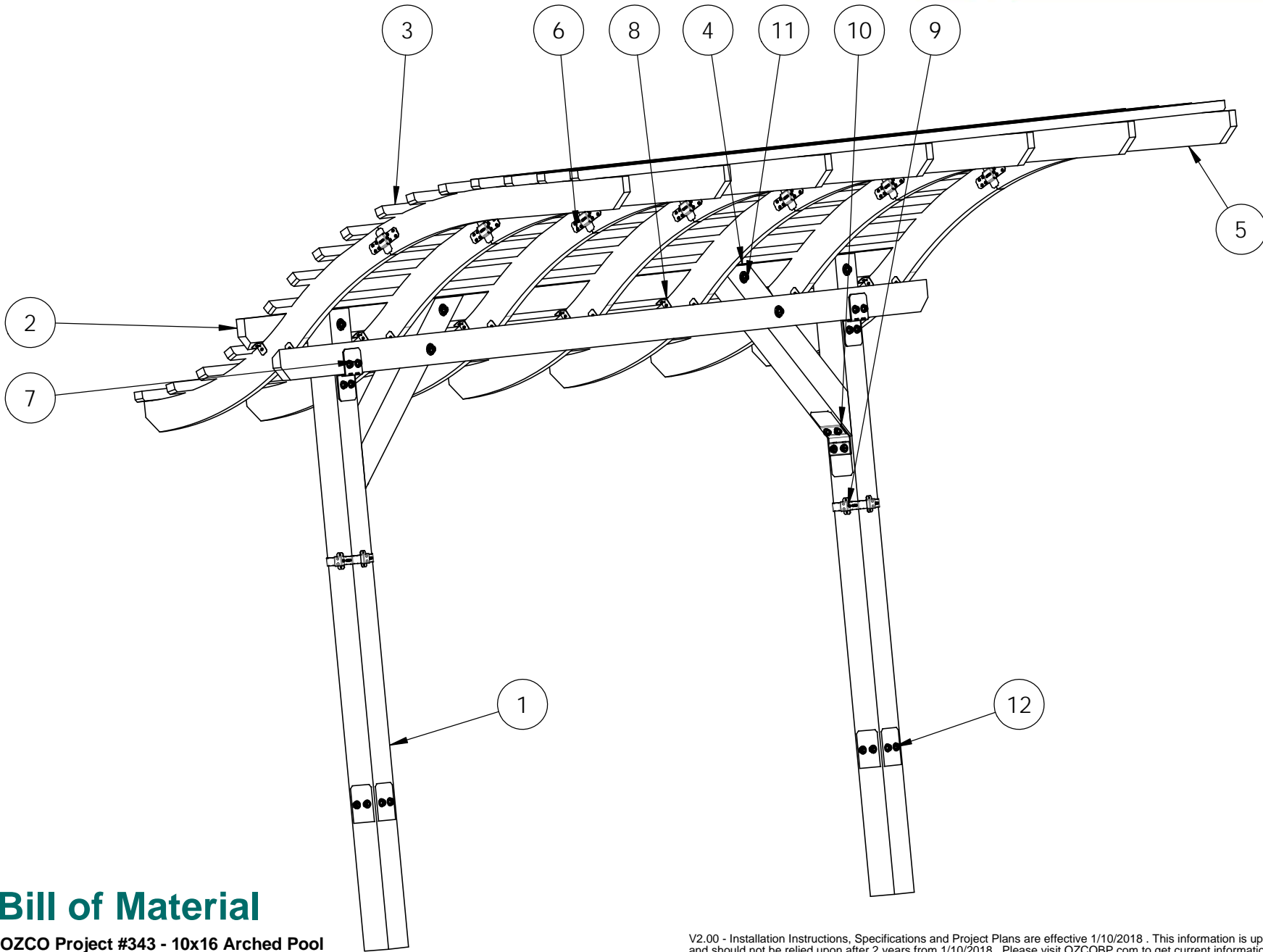
(others may be required)

OZCO Project #343 - 10x16 Arched Pool
Shade with 6x6 Posts



Overview

OZCO Project #343 - 10x16 Arched Pool Shade with 6x6 Posts



Bill of Material

OZCO Project #343 - 10x16 Arched Pool Shade with 6x6 Posts

ITEM NO.	QTY.	PART NUMBER	DESCRIPTION
1	2	6x6 Cedar Post	6x6x10'0"
2	2	2x6 Cedar Board	2x6x16'0"
3	15	2x2 Cedar Board	2x2x16'0"
4	2	6x6 Cedar Support	6x6x4'0"
5	7	Arched Rafter	Arched Canopy 3 Seam - 20' foot (see Cutlist)
	7	2x12 Cedar Board	2x12x6'0"
	7	2x12 Cedar Board	2x12x5'0"
6	7	51793	Rafter Seam (RS-IW)
7	1	51735	6" Post to Beam (P2B-IW-6)
8	3	51717	2" Standard Rafter Clips (RC-IW-2)
9	2	51786	6x6 Post Band (6X6-BND-IW)
10	1	56616	Flush Inside 45 (FI-45)
	2	51711	Truss Accent (TA-IW)
	1	56625	Screw, OWT 1-3/4" (45mm) Timber
11	6	56651	OWT Timber Bolt 8-10"
	6	56680	2" Timber Bolt Heavy Duty Washer (OWT-TBW-2)
12	2	51790	6x6 Faux Post Base (6X6-FBS-IW)

some parts are grouped/used with others during assembly.
 when duplicate part numbers show on bill of material
 table, add together for total quantity needed.

quantities reflect packages of components required

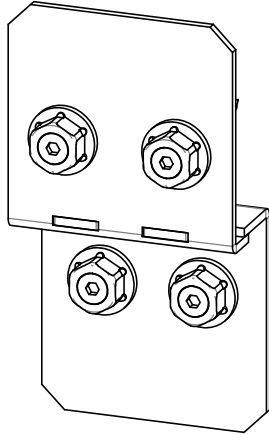
Bill of Material

QTY.	PART NUMBER	DESCRIPTION
2	6x6x10L	6x6x10
1	6x6x8L	6x6x8
2	2x6x16L	2x6x16
13	2x2x16L	2x2x16
7	2x12x12L	2x12x12
7	51793	Rafter Seam (RS-IW)
1	51735	6" Post to Beam (P2B-IW-6)
3	51717	2" Standard Rafter Clips (RC-IW-2)
2	51786	6x6 Post Band (6X6-BND-IW)
1	56616	Flush Inside 45 (FI-45)
2	51711	Truss Accent (TA-IW)
1	56625	Screw, OWT 1-3/4" (45mm) Timber
6	56651	OWT Timber Bolt 8-10"
6	56680	2" Timber Bolt Heavy Duty Washer (OWT-TBW-2)
2	51790	6x6 Faux Post Base (6X6-FBS-IW)

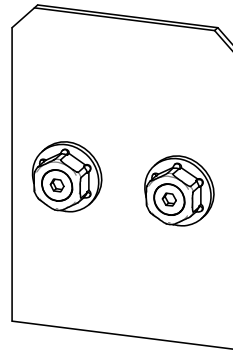
Material List

OZCO Project #343 - 10x16 Arched Pool Shade with 6x6 Posts

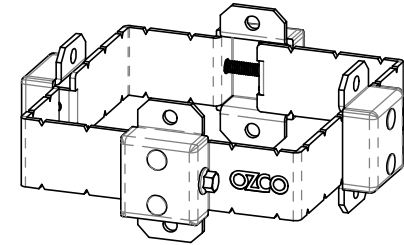
V2.00 - Installation Instructions, Specifications and Project Plans are effective 3/13/2018 . This information is updated periodically and should not be relied upon after 2 years from 3/13/2018 . Please visit OZCOBP.com to get current information. 7



51735



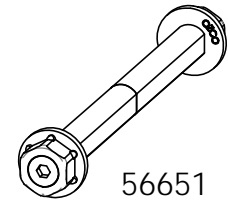
51790



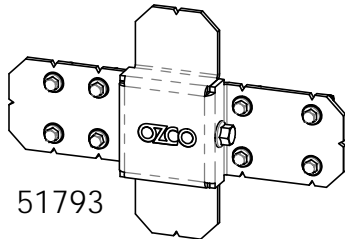
51786



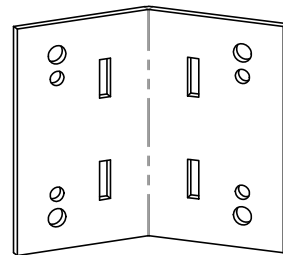
56625



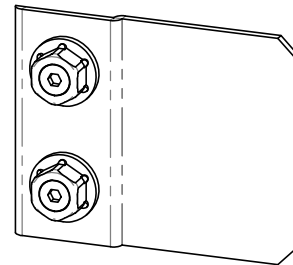
56651



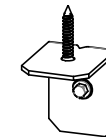
51793



56616



51711

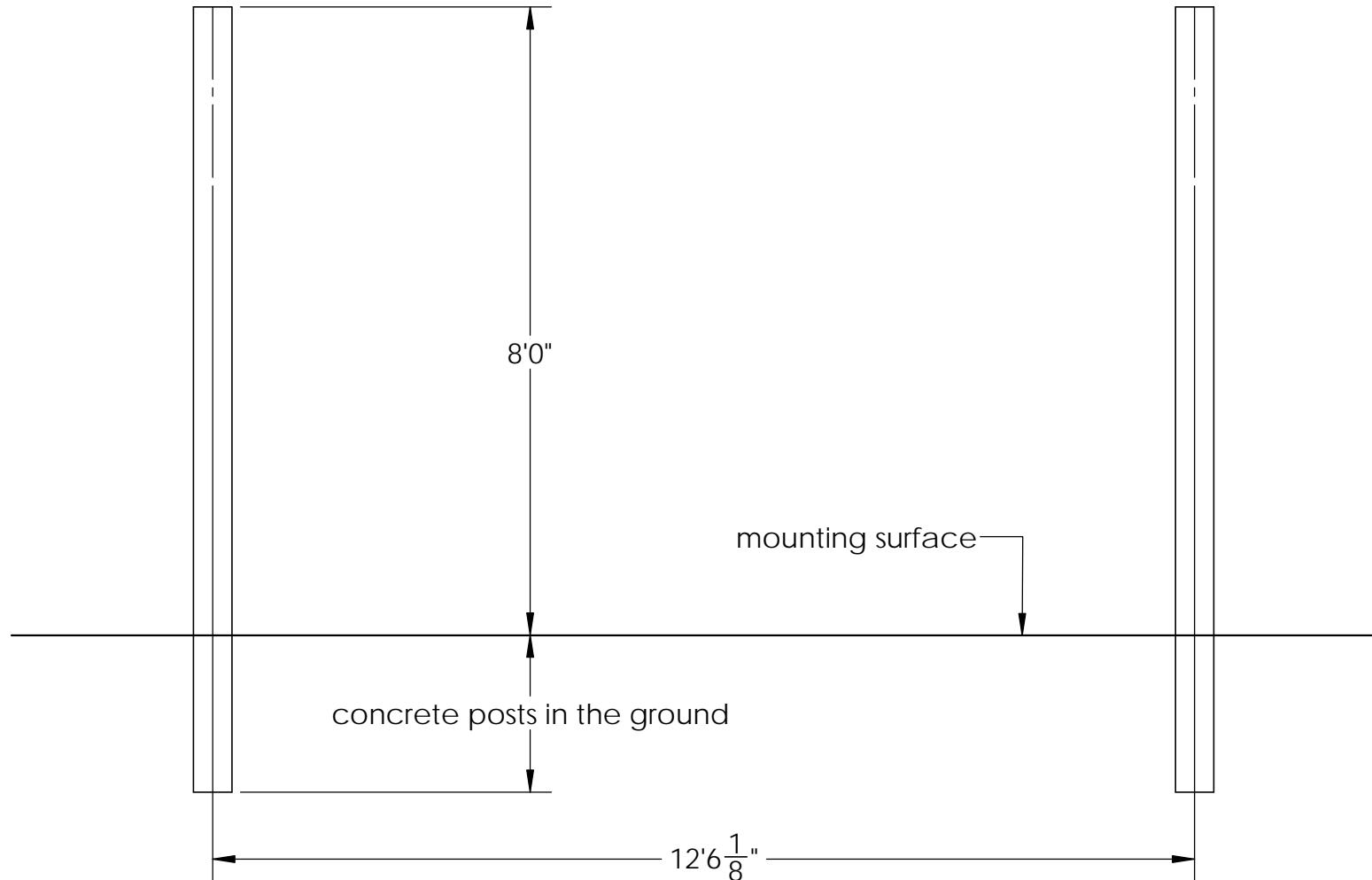


51717



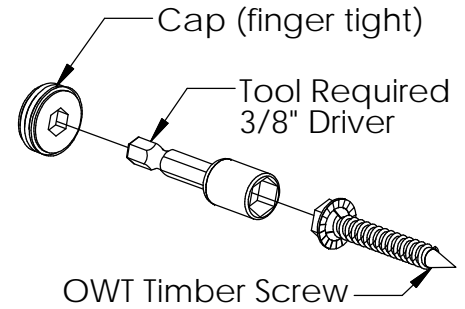
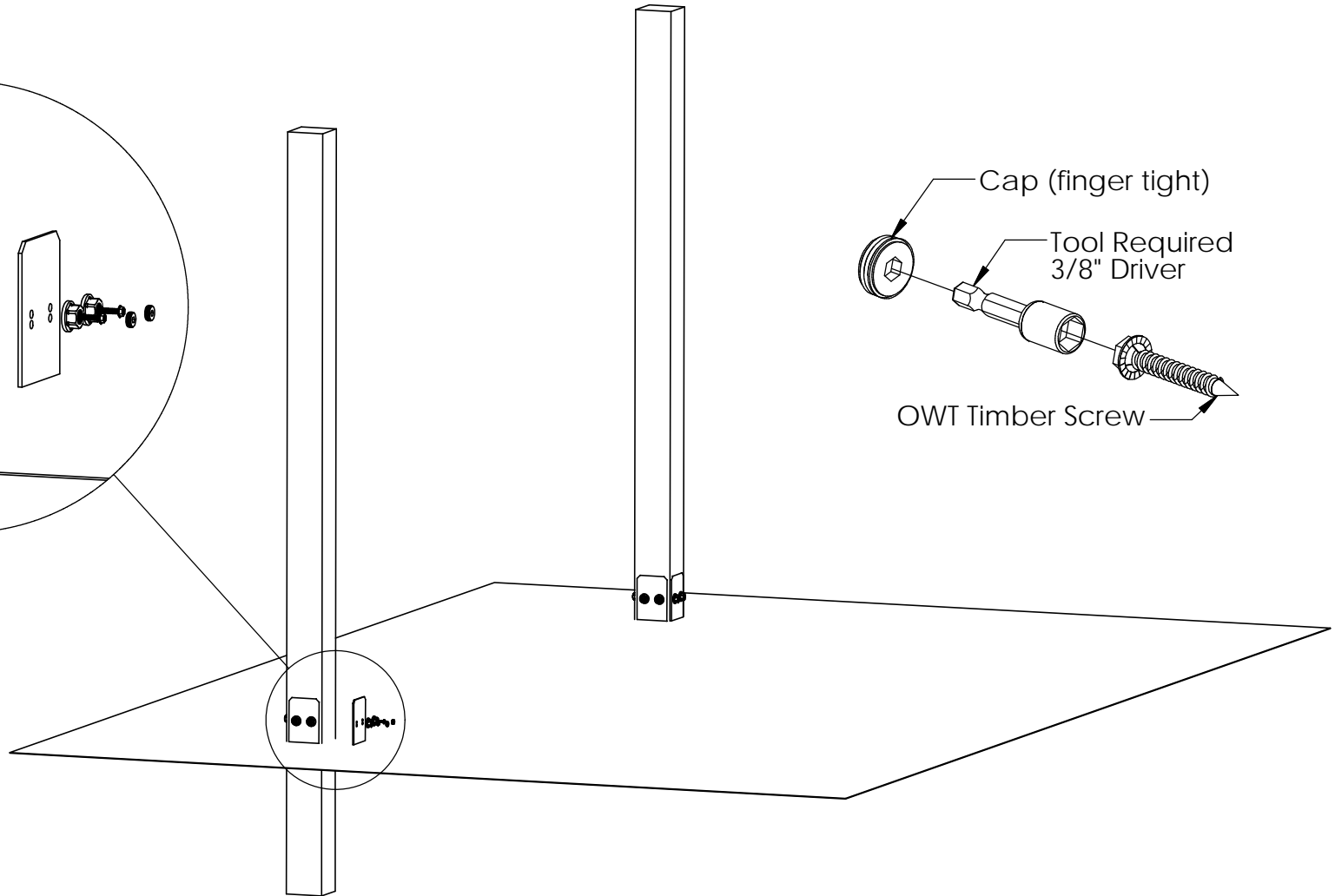
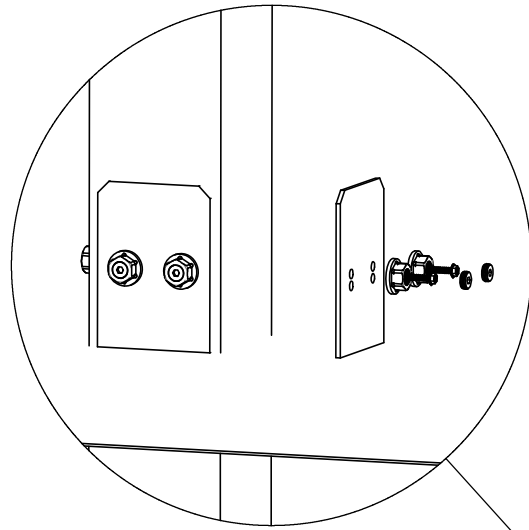
56680





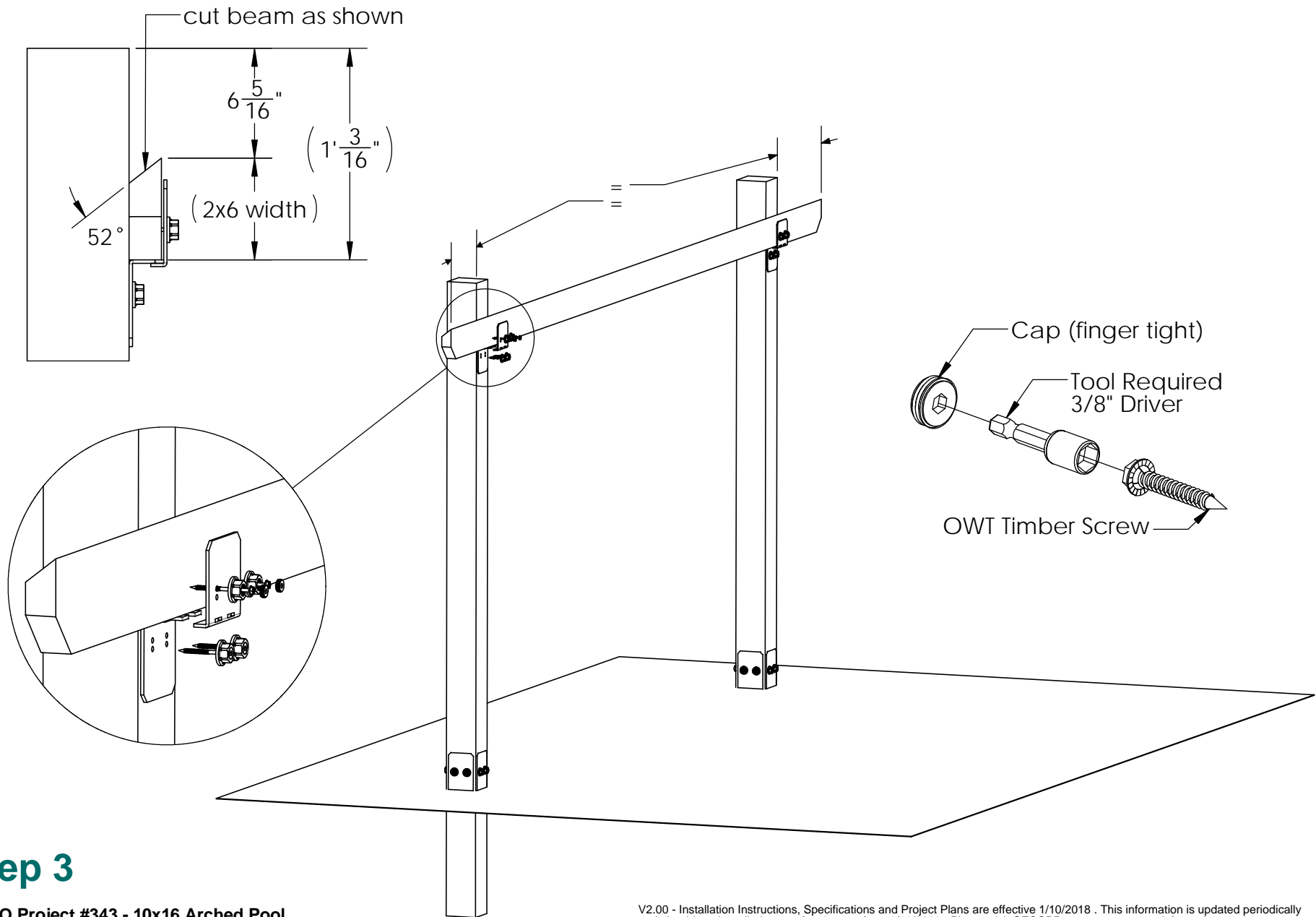
step 1

OZCO Project #343 - 10x16 Arched Pool
Shade with 6x6 Posts



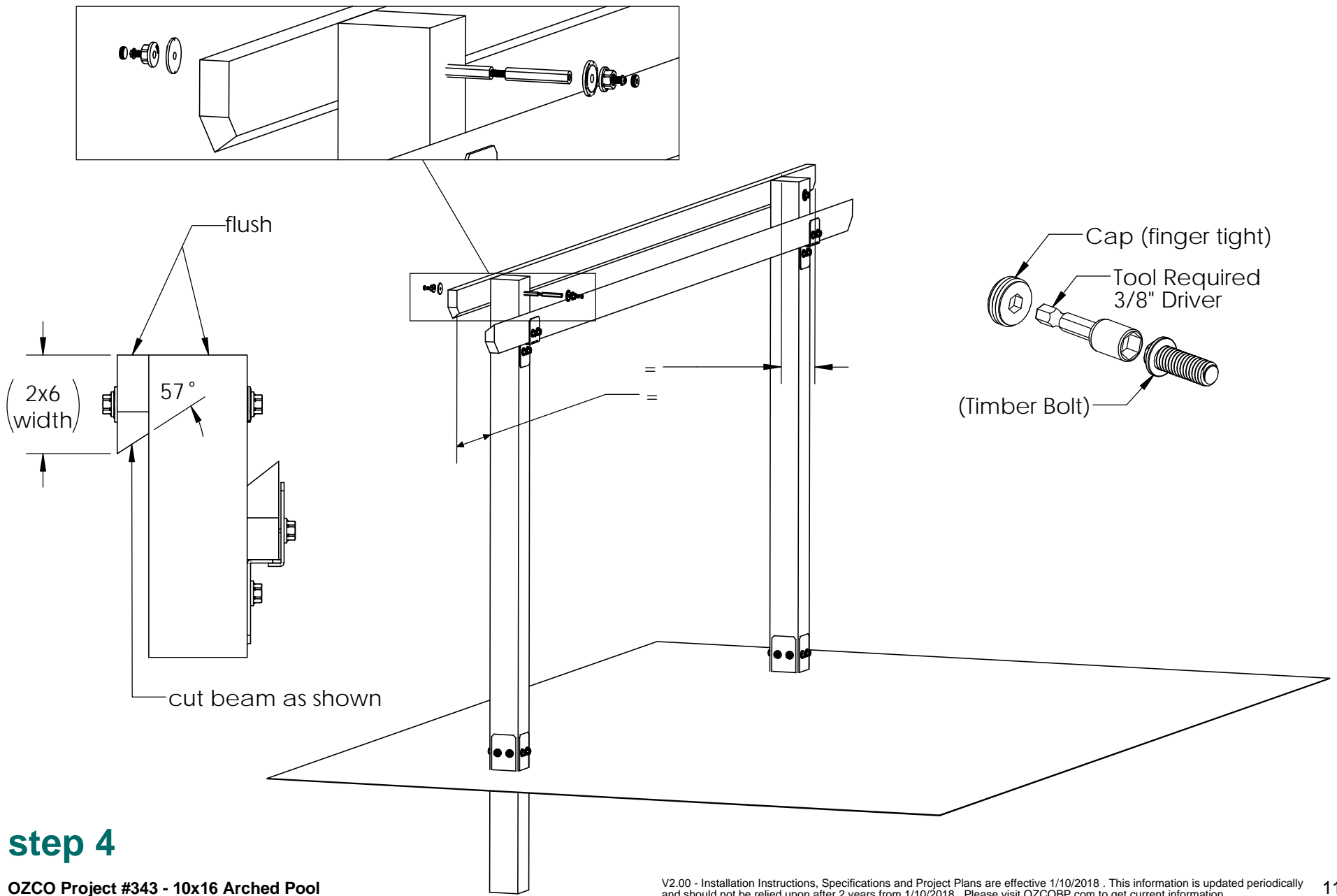
step 2

OZCO Project #343 - 10x16 Arched Pool
Shade with 6x6 Posts



step 3

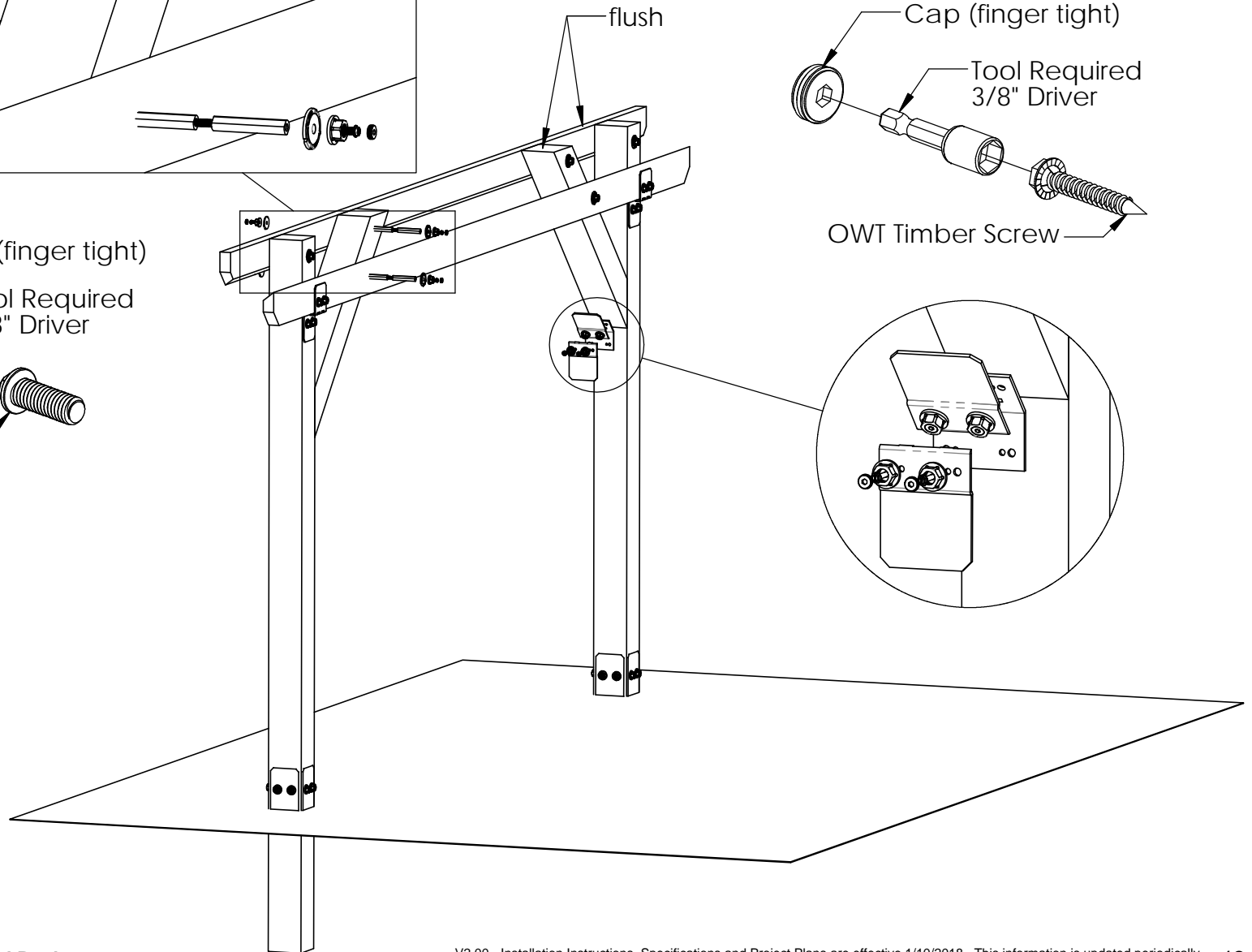
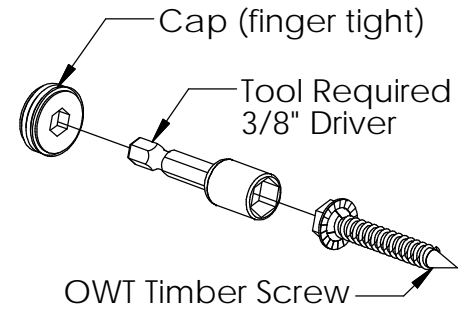
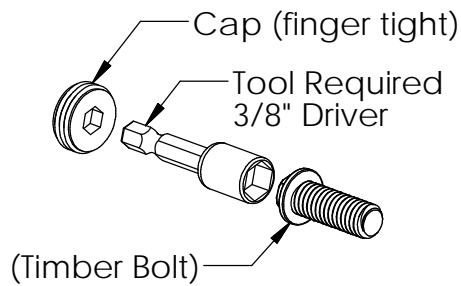
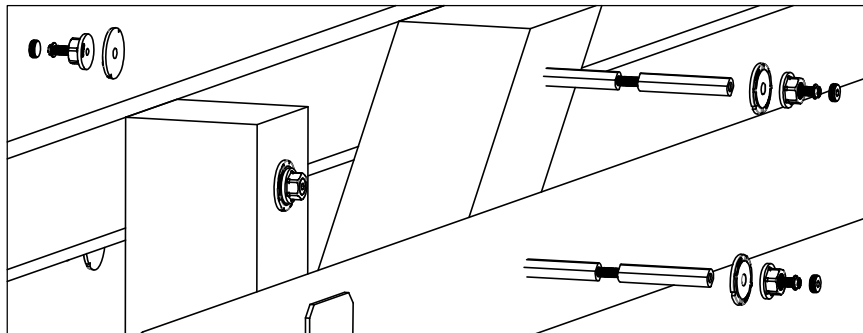
OZCO Project #343 - 10x16 Arched Pool Shade with 6x6 Posts



step 4

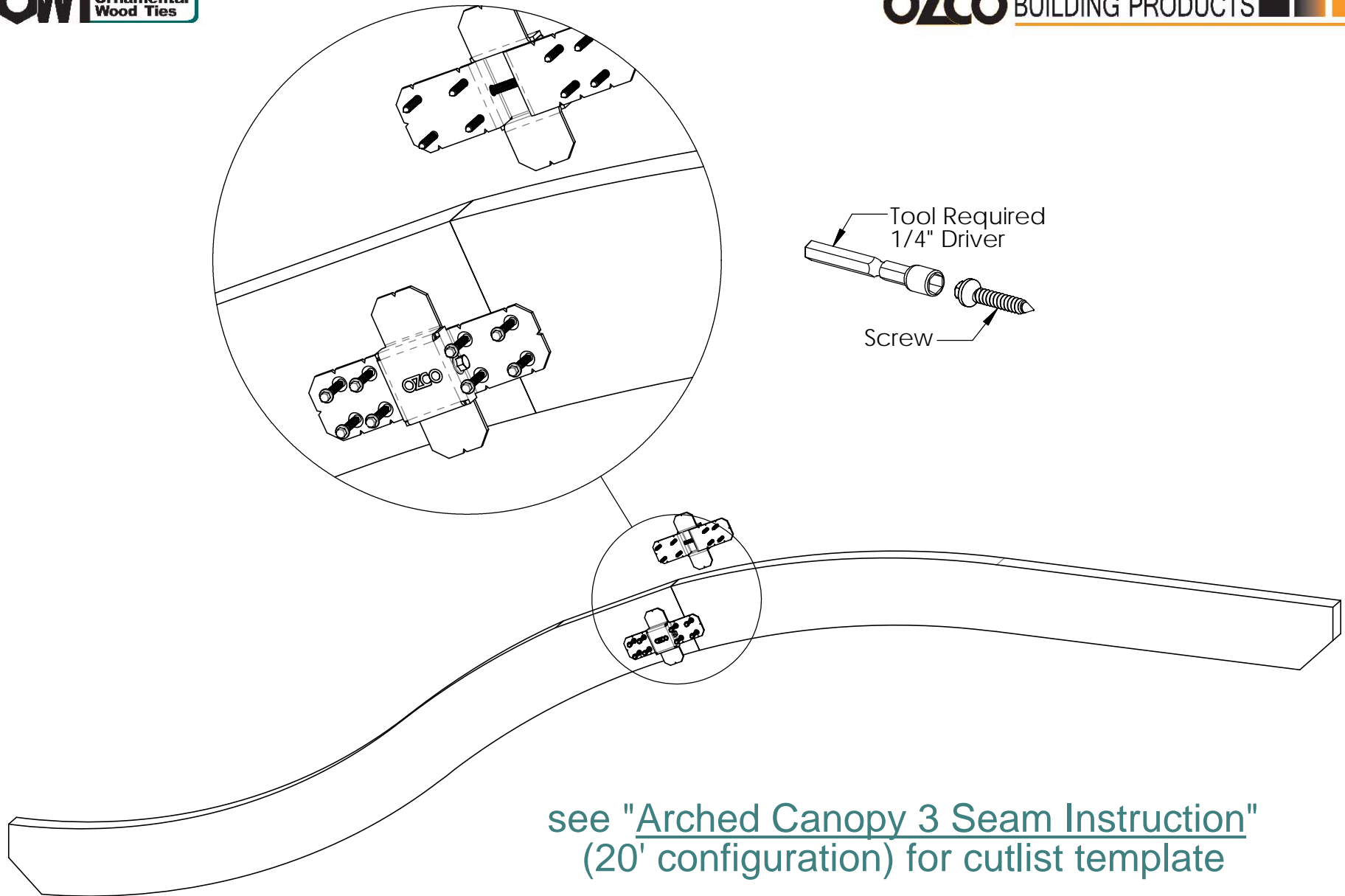
OZCO Project #343 - 10x16 Arched Pool Shade with 6x6 Posts

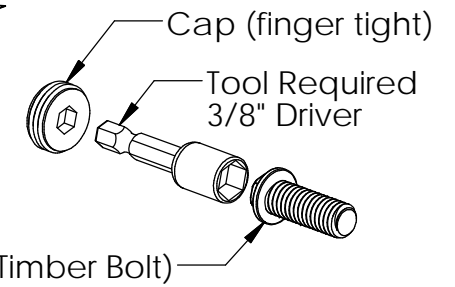
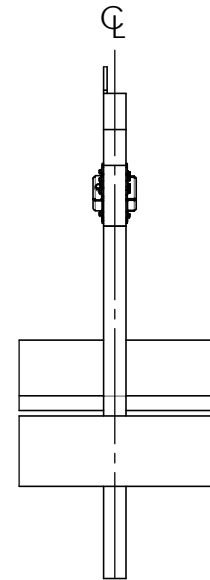
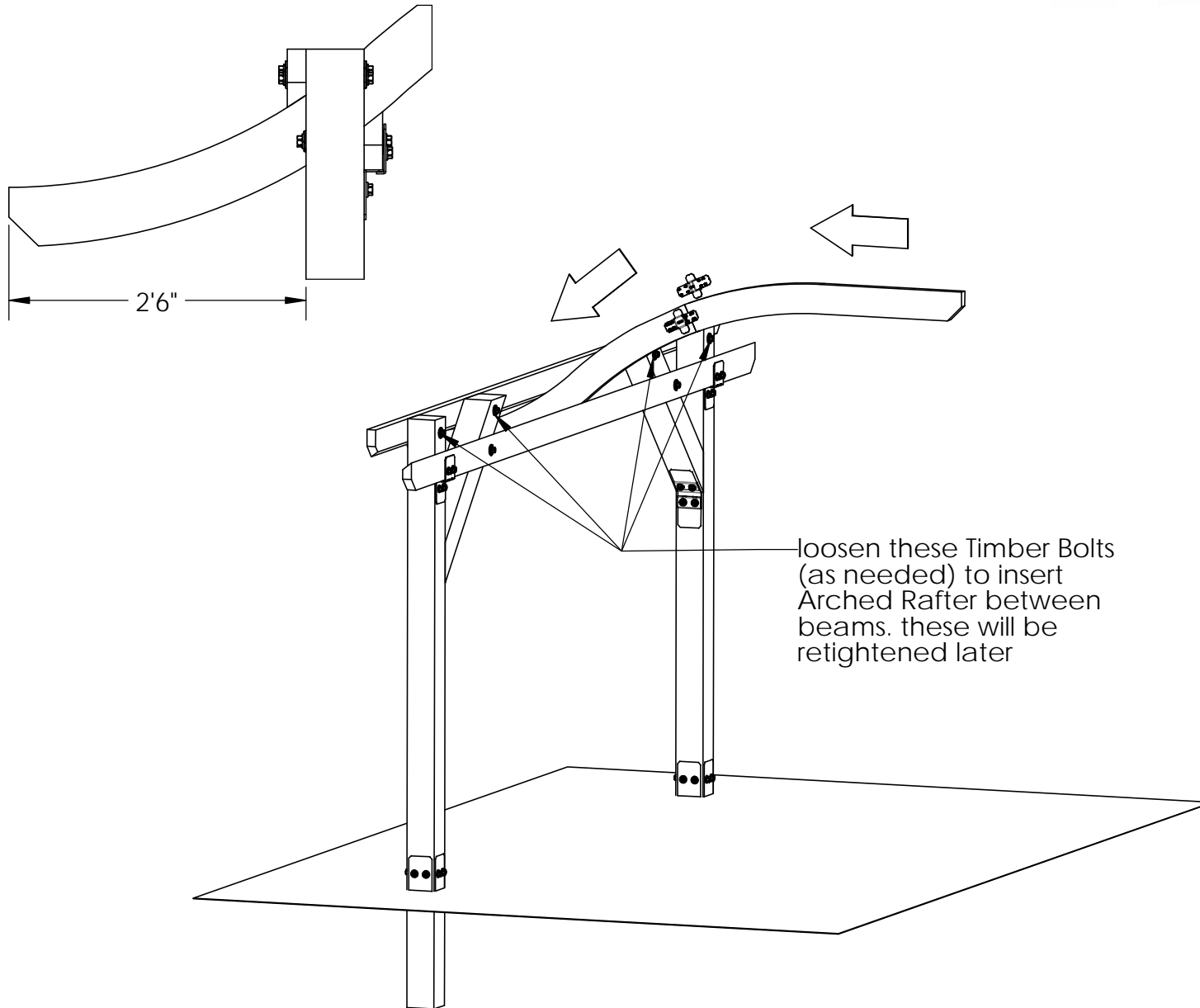
V2.00 - Installation Instructions, Specifications and Project Plans are effective 1/10/2018 . This information is updated periodically and should not be relied upon after 2 years from 1/10/2018 . Please visit OZCOBP.com to get current information.



step 5

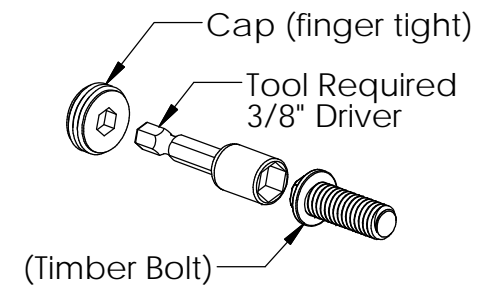
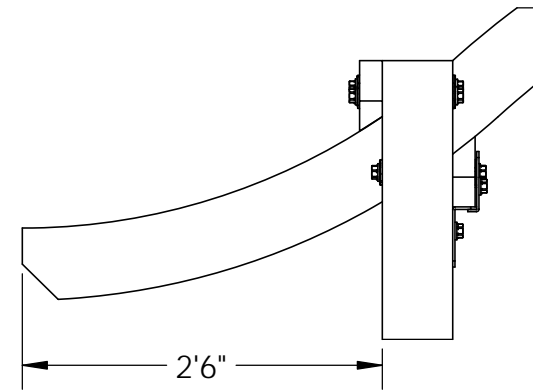
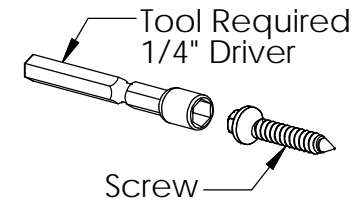
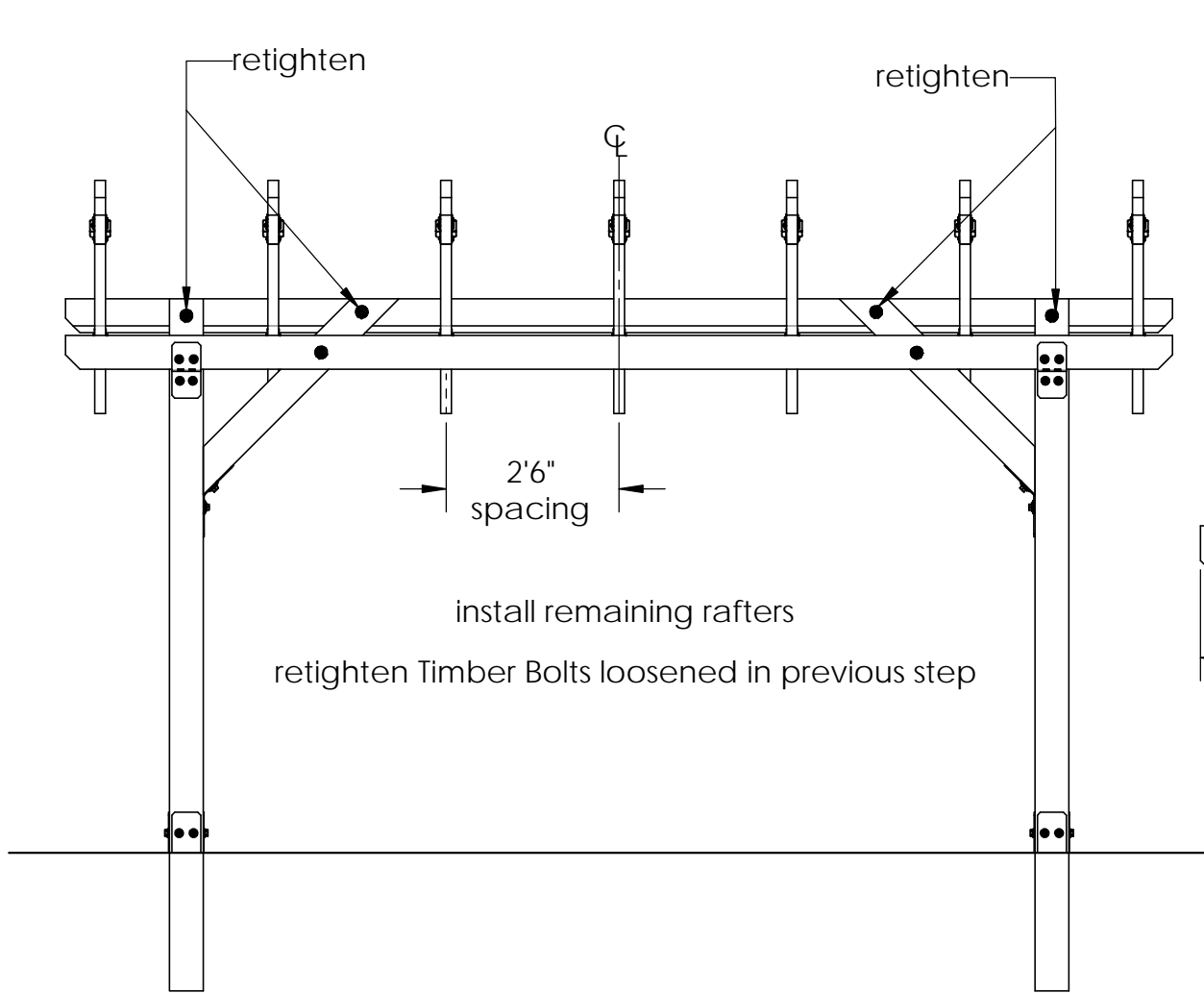
OZCO Project #343 - 10x16 Arched Pool Shade with 6x6 Posts





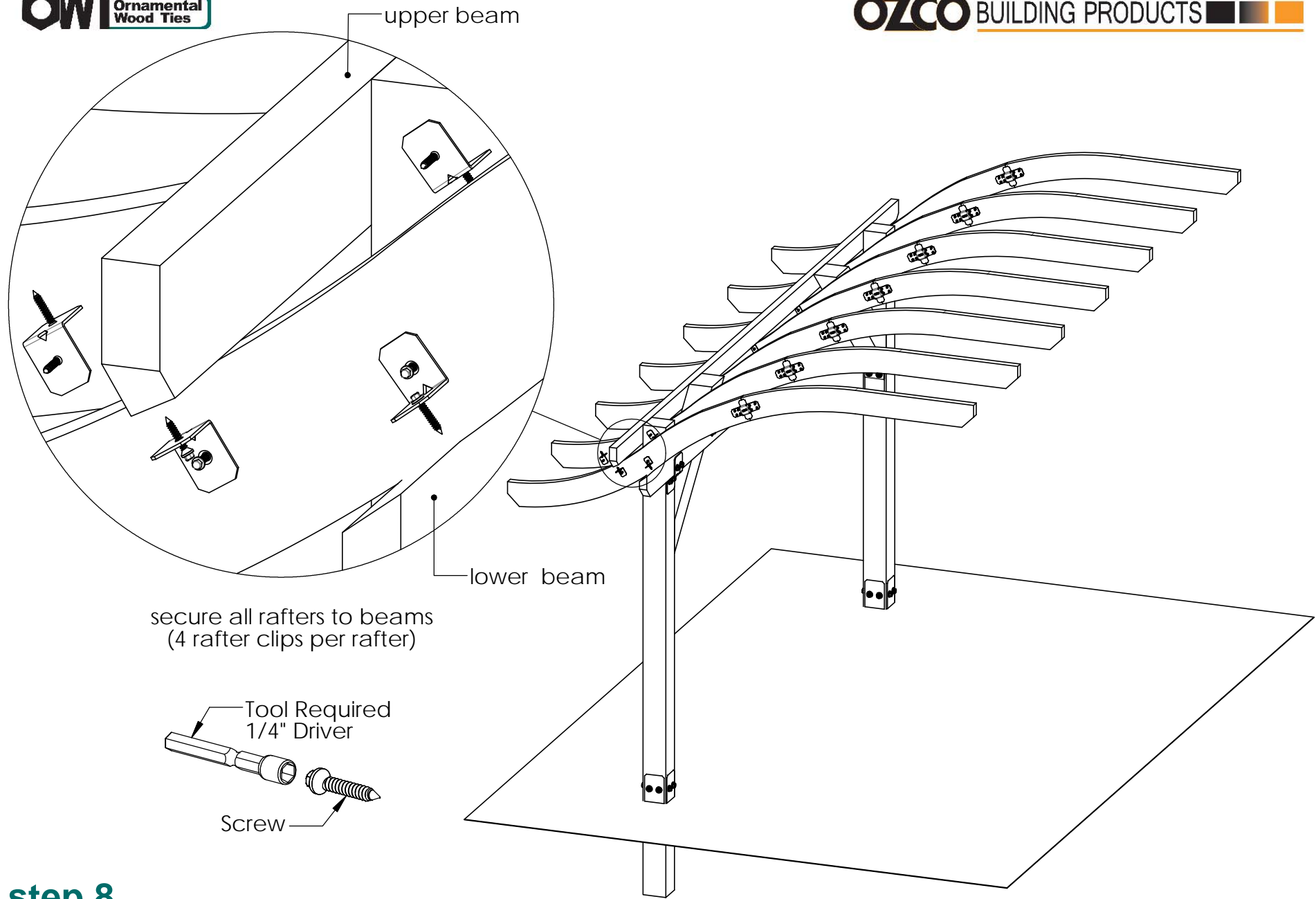
step 6

OZCO Project #343 - 10x16 Arched Pool Shade with 6x6 Posts



step 7

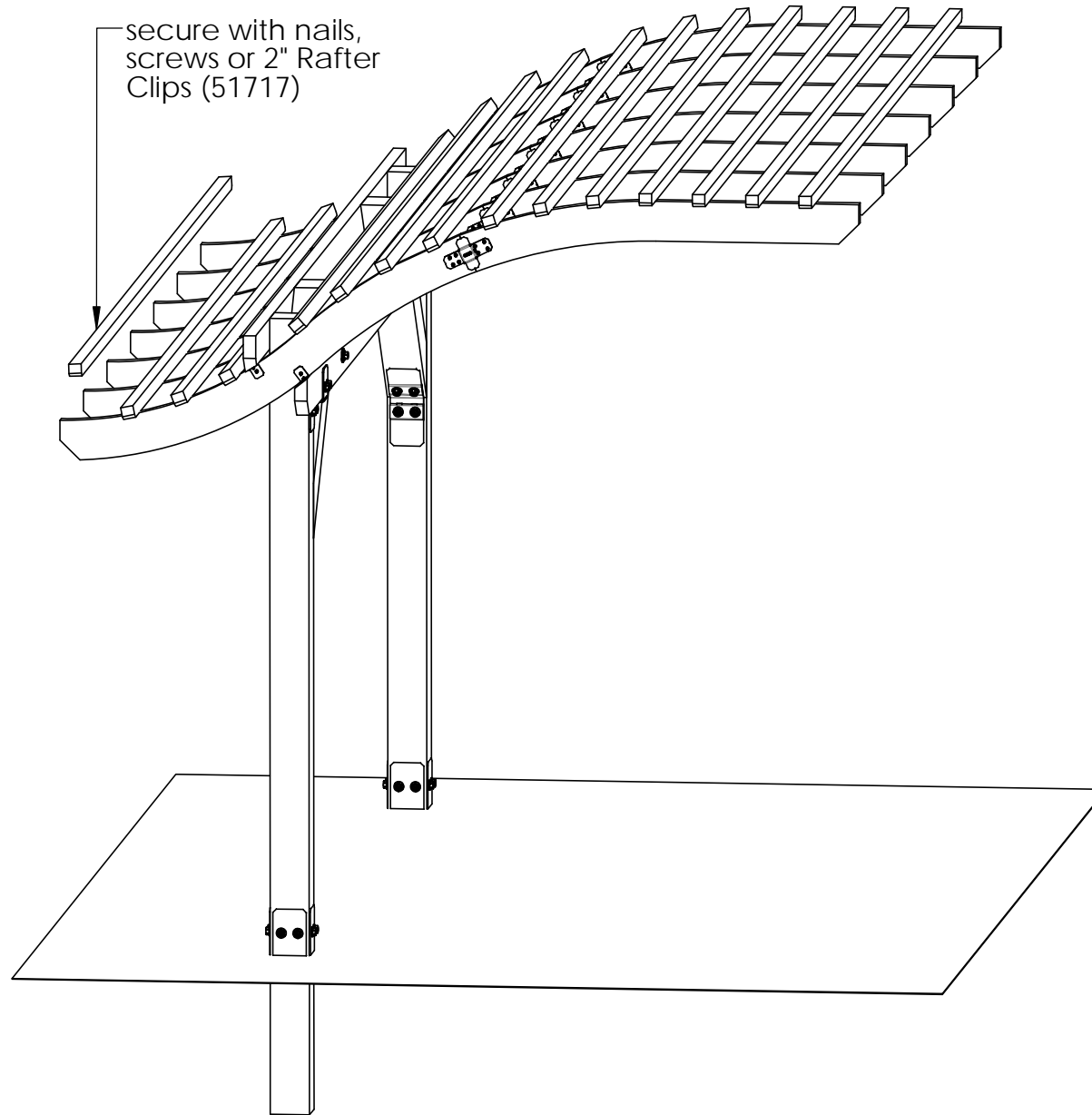
OZCO Project #343 - 10x16 Arched Pool Shade with 6x6 Posts



step 8

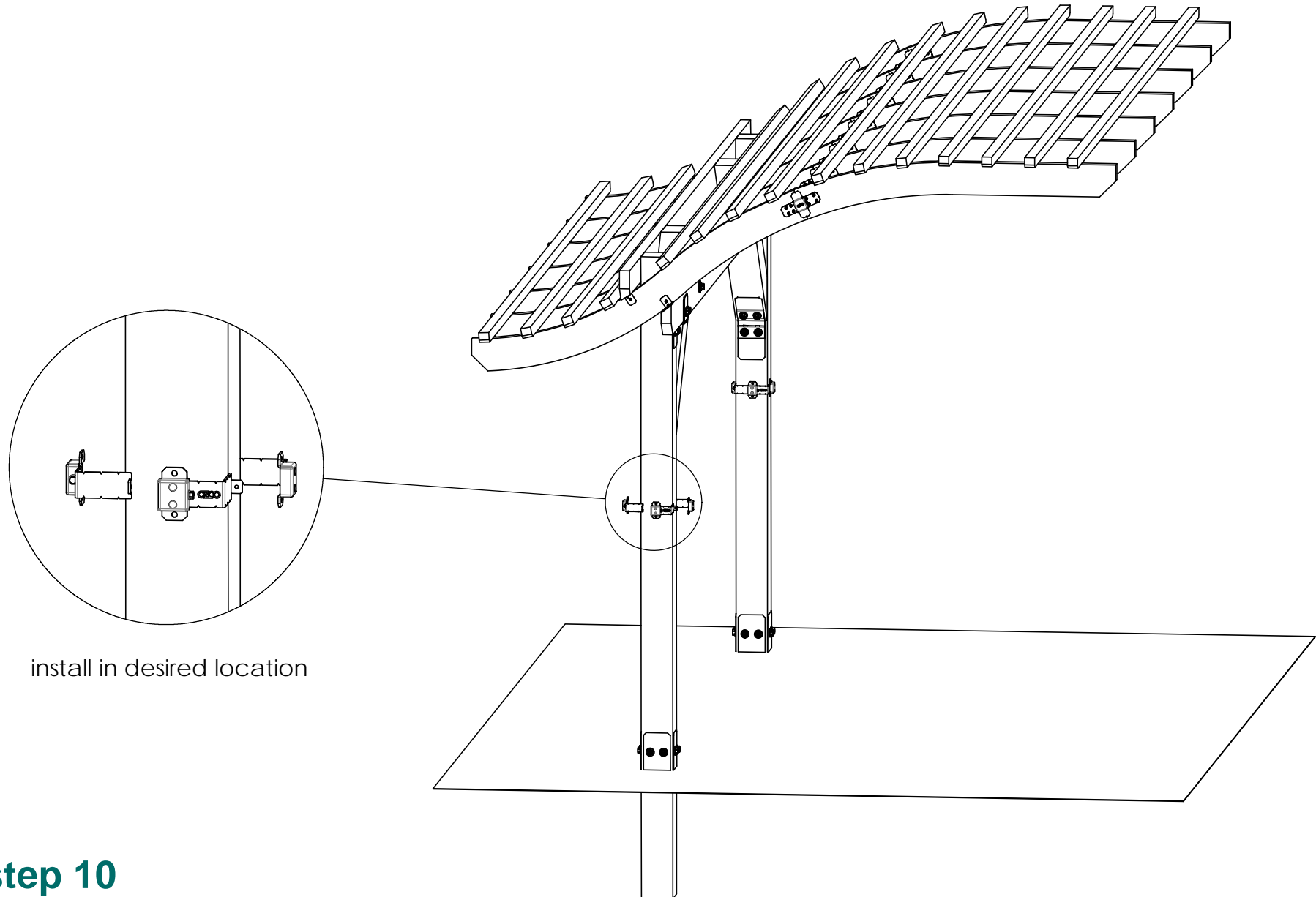
OZCO Project #343 - 10x16 Arched Pool Shade with 6x6 Posts

V2.00 - Installation Instructions, Specifications and Project Plans are effective 1/10/2018 . This information is updated periodically and should not be relied upon after 2 years from 1/10/2018 . Please visit OZCOBP.com to get current information.



step 9

**OZCO Project #343 - 10x16 Arched Pool
Shade with 6x6 Posts**



install in desired location

step 10

**OZCO Project #343 - 10x16 Arched Pool
Shade with 6x6 Posts**