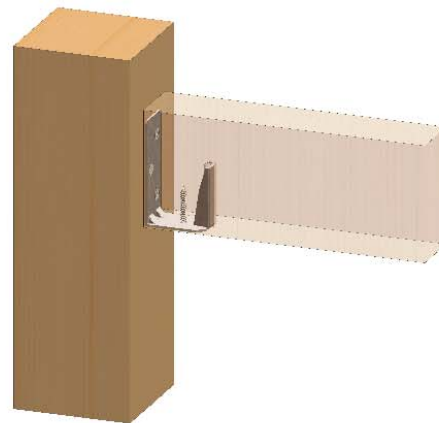
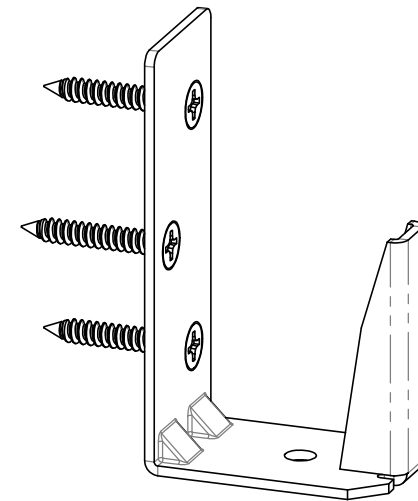
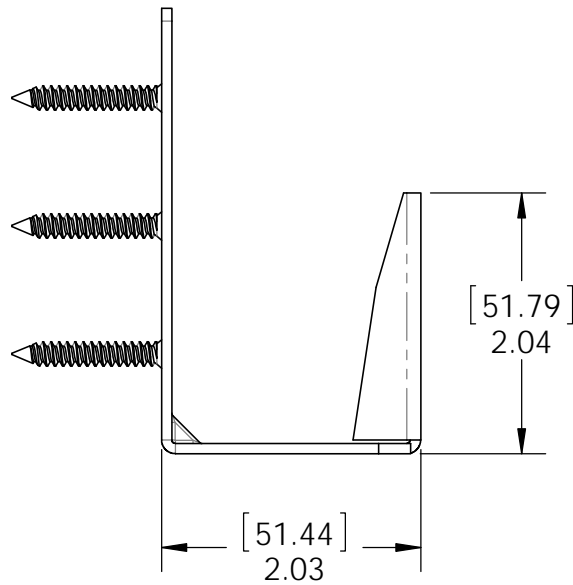
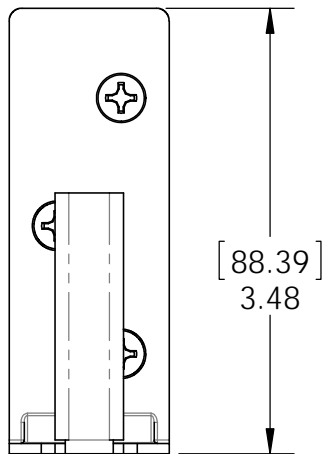
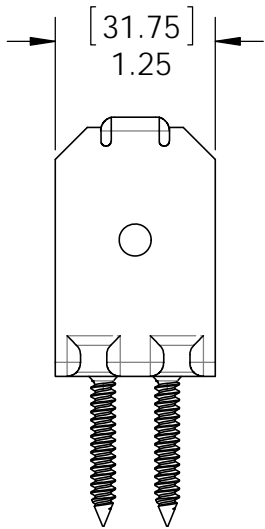


Installation Instructions Wood to Wood Bracket, 50120



Typical Installation





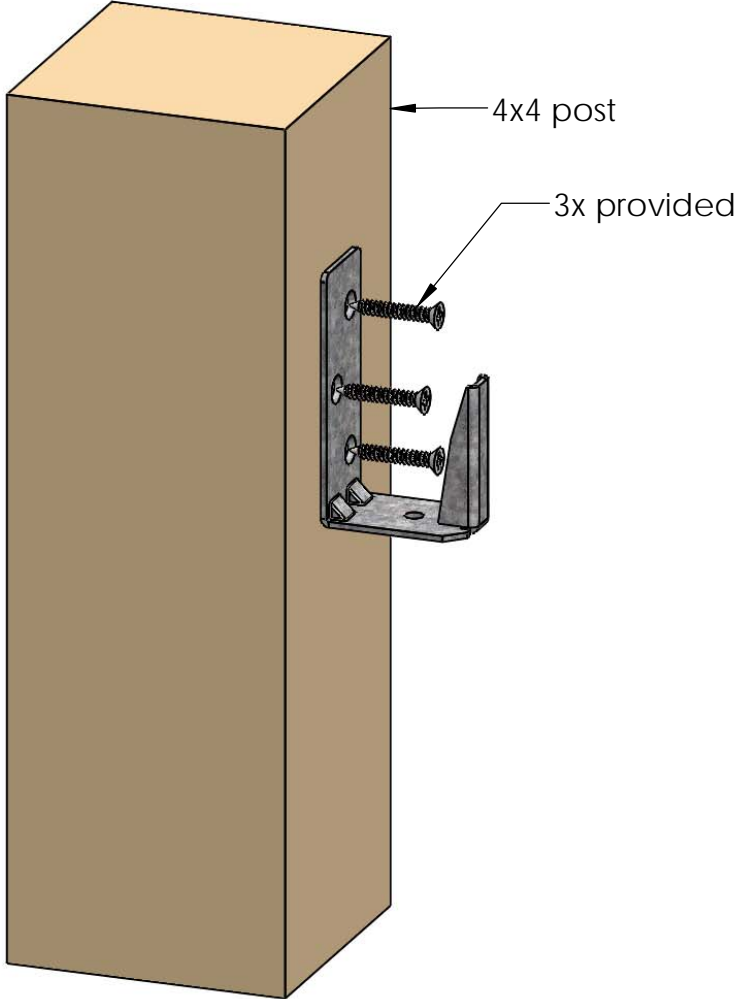
50120

Installation Instructions, 50120



OZCO BUILDING PRODUCTS

V1.00 - Installation Instructions effective May 1, 2015 and reflects information that available as of April 10, 2014. This information is updated periodically and should not be relied upon after May 1, 2015. Please visit www.OZCOBP.com to get current information



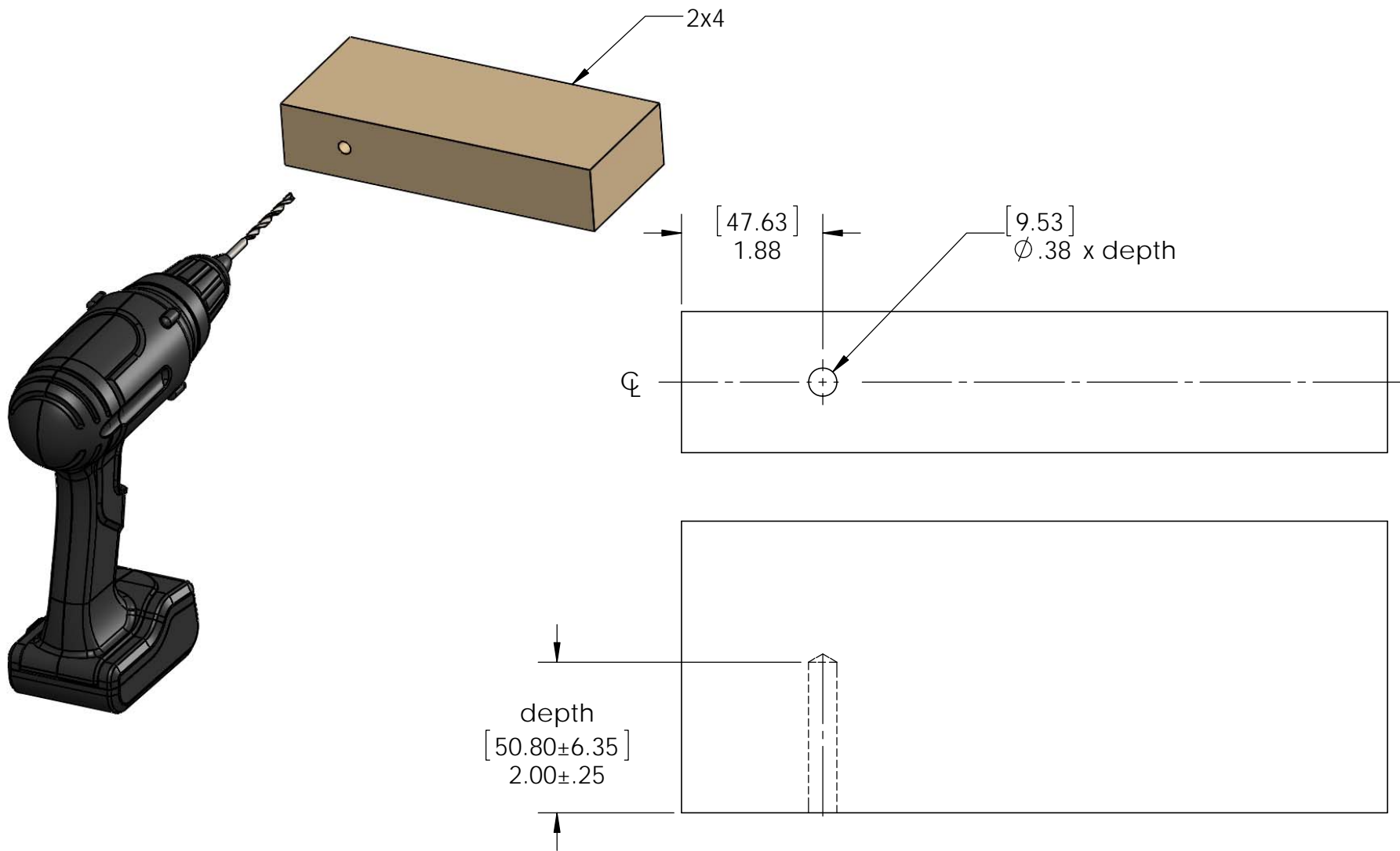
step 1

Installation Instructions, 50120



OZCO BUILDING PRODUCTS

V1.00 - Installation Instructions effective May 1, 2015 and reflects information that available as of April 10, 2014. This information is updated periodically and should not be relied upon after May 1, 2015. Please visit www.OZCOBP.com to get current information



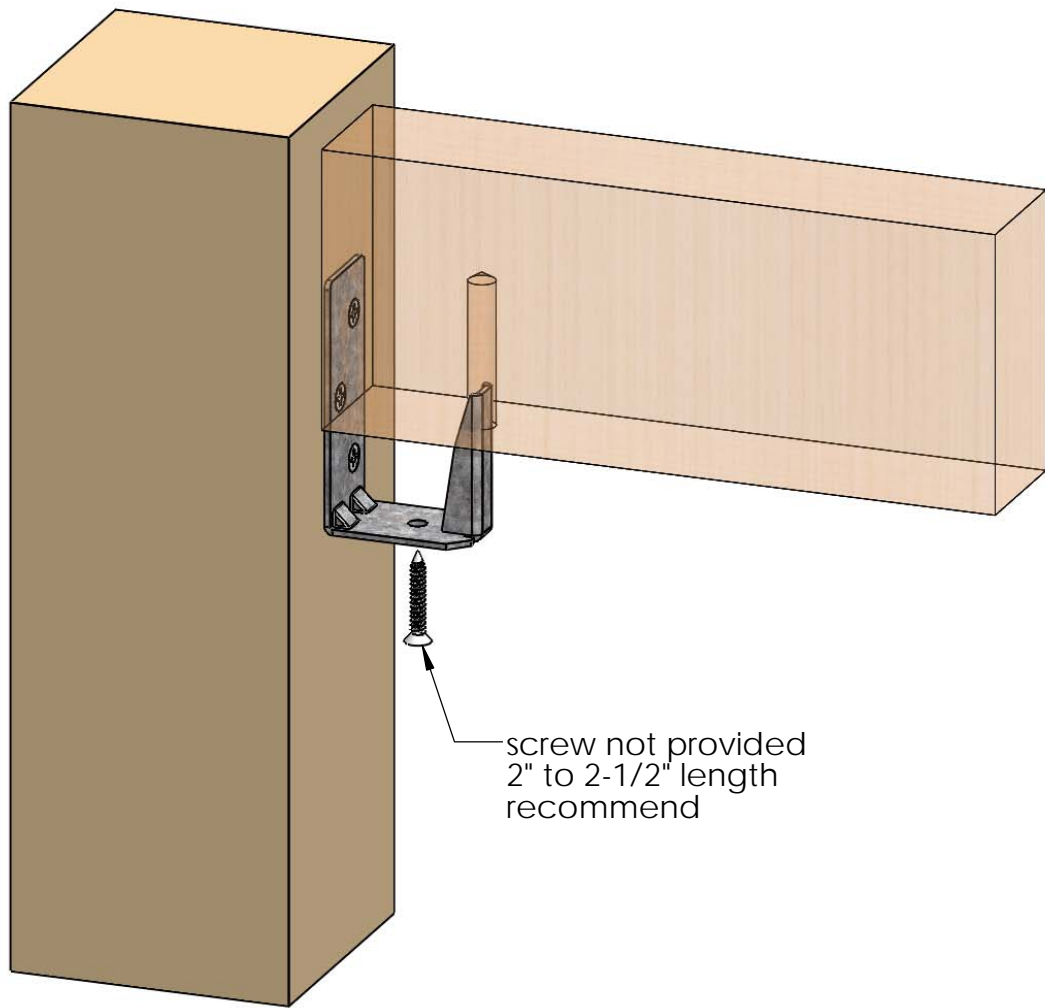
step 2

Installation Instructions, 50120

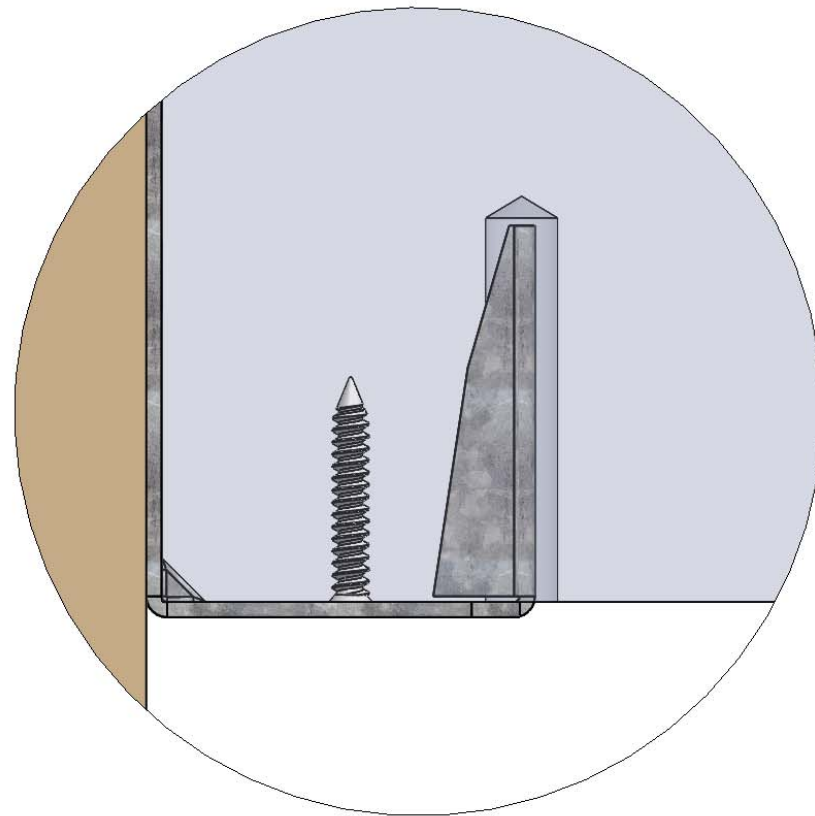


OZCO BUILDING PRODUCTS

V1.00 - Installation Instructions effective May 1, 2015 and reflects information that available as of April 10, 2014. This information is updated periodically and should not be relied upon after May 1, 2015. Please visit www.OZCOBP.com to get current information



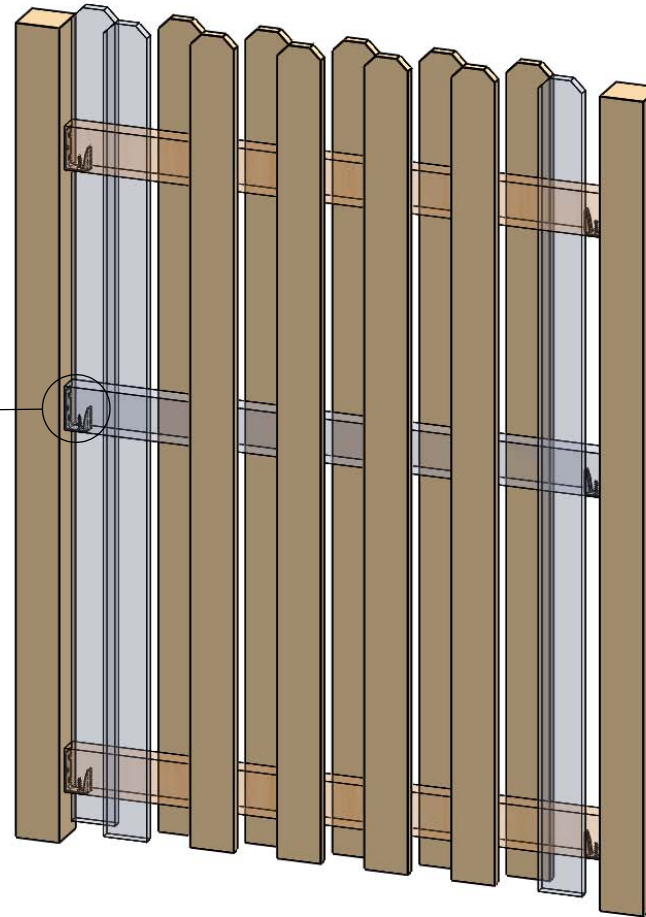
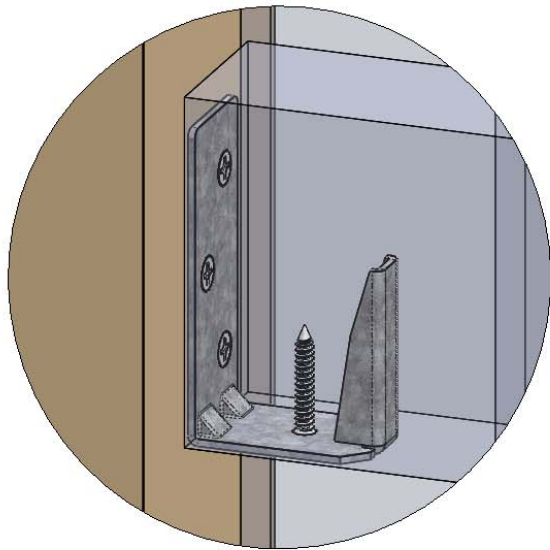
screw not provided
2" to 2-1/2" length
recommend



step 3

Installation Instructions, 50120





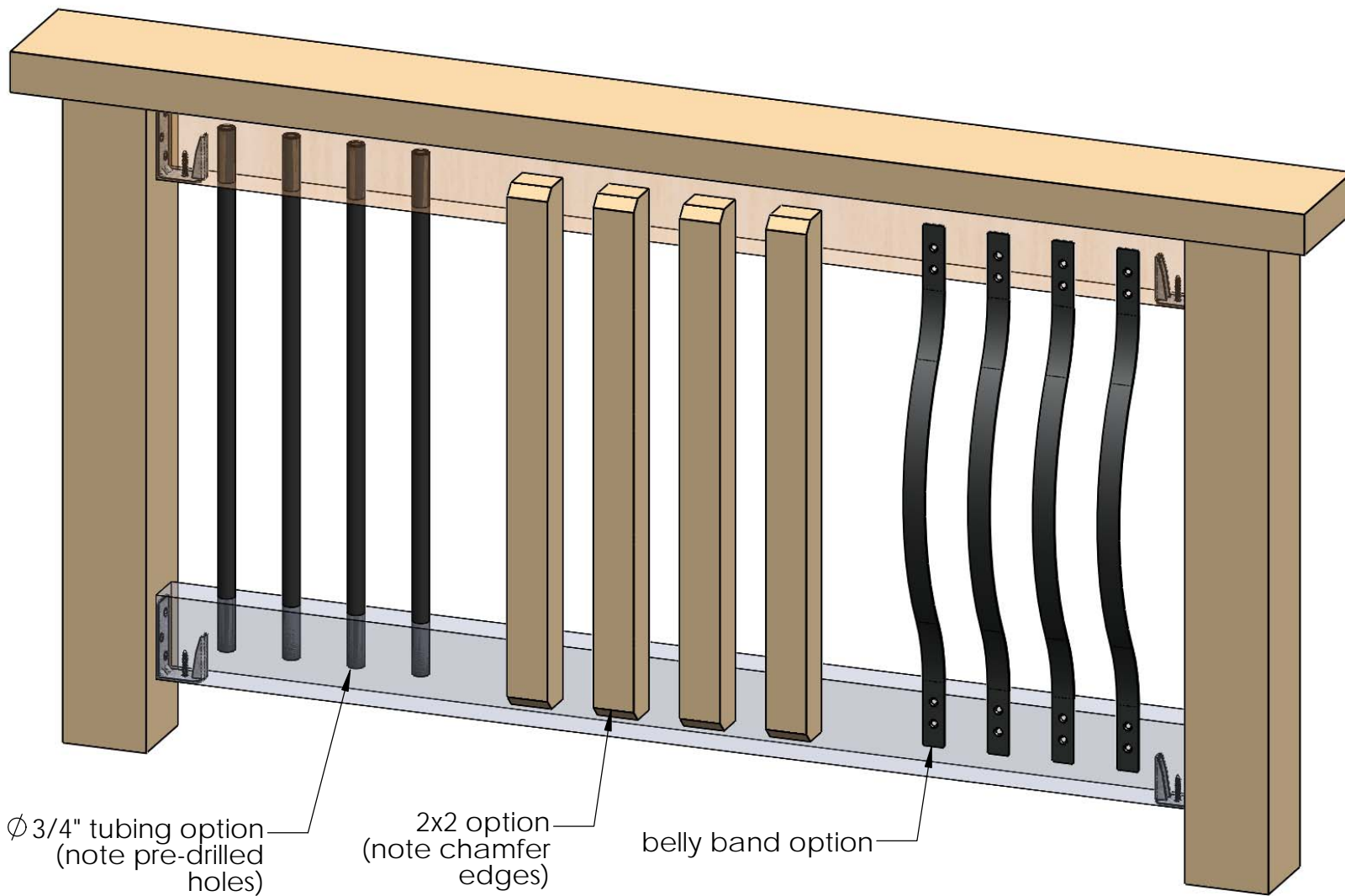
fence installation

Installation Instructions, 50120



OZCO BUILDING PRODUCTS

V1.00 - Installation Instructions effective May 1, 2015 and reflects information that available as of April 10, 2014. This information is updated periodically and should not be relied upon after May 1, 2015. Please visit www.OZCOBP.com to get current information



Ø 3/4" tubing option
(note pre-drilled
holes)

2x2 option
(note chamfer
edges)

belly band option



railing installation

Installation Instructions, 50120

V1.00 - Installation Instructions effective May 1, 2015 and reflects information that available as of April 10, 2014. This information is updated periodically and should not be relied upon after May 1, 2015. Please visit www.OZCOBP.com to get current information