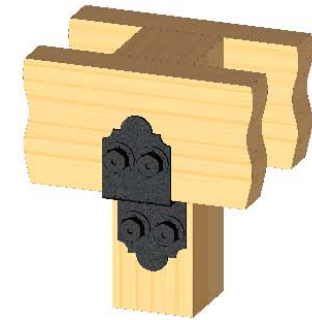
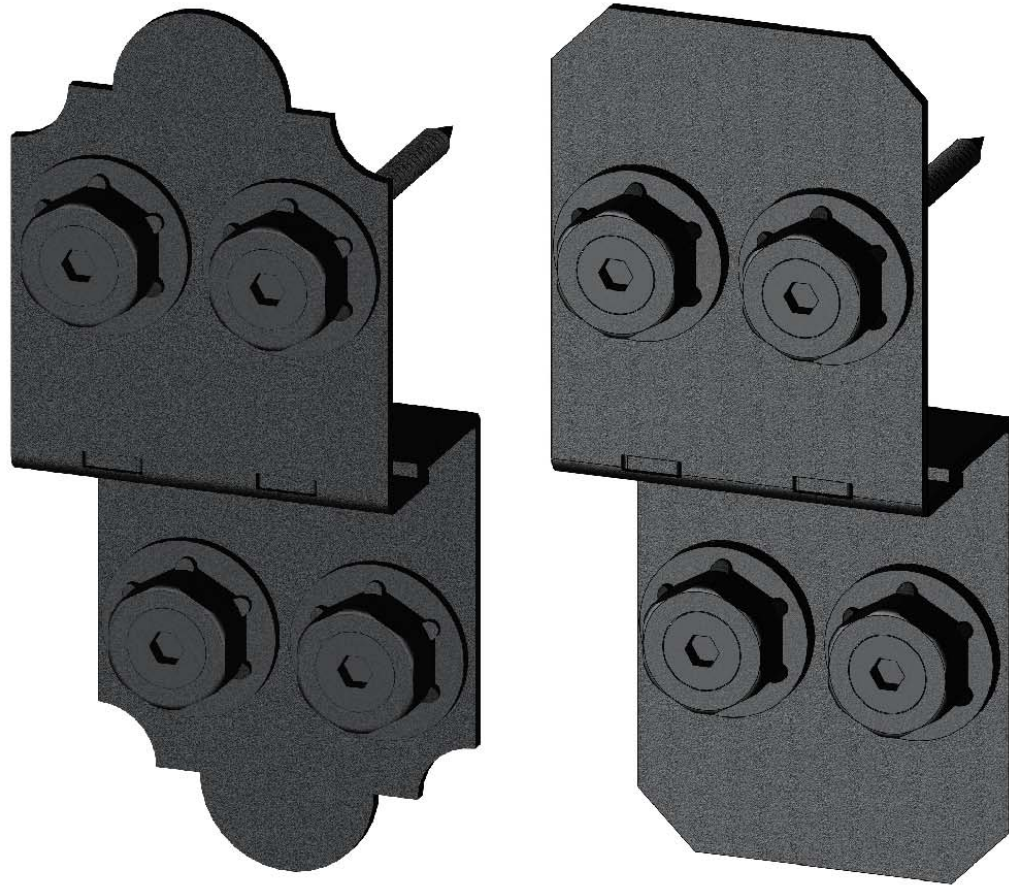
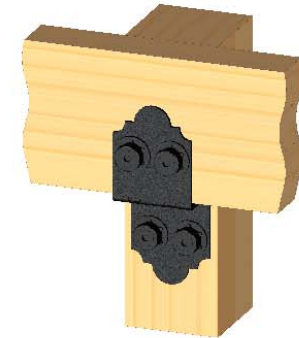


# Installation Instructions, 56675 4" Post to Beam (P2B-LS-4) 51775 4" Post to Beam (P2B-IW-4)



double beam installation  
requires connectors on  
both sides of post



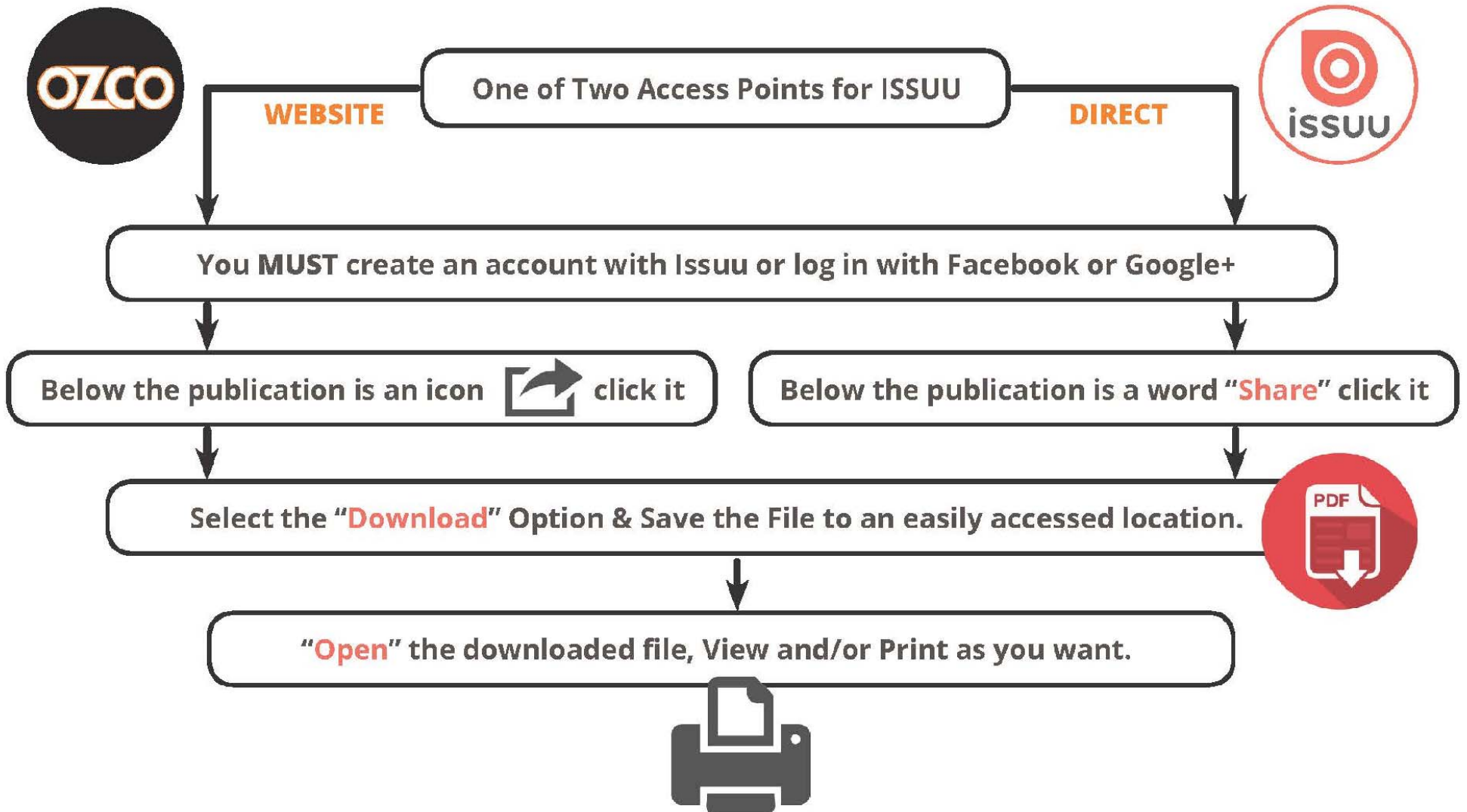
Typical Installation  
Laredo Sunset shown





# Printing Documents from ISSUU

Unfortunately, there is currently no way to print content directly through issuu. To print a publication, you will need to download it and print it from your computer.



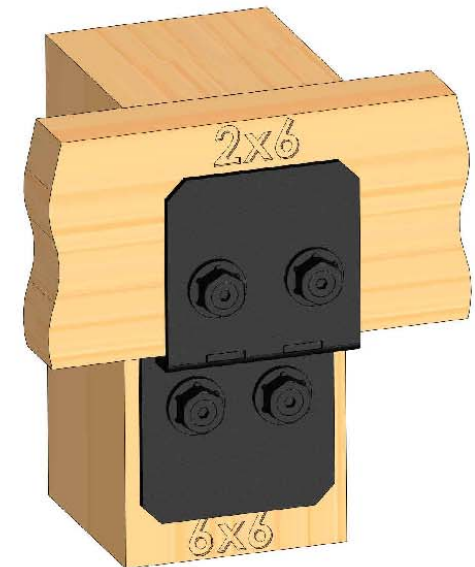
# Laredo Sunset & Ironwood



Laredo Sunset  
(566XX series)

2 great styles  
Same functionality  
choose your  
connection lifestyle

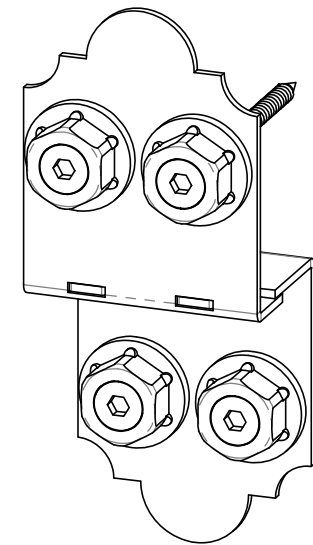
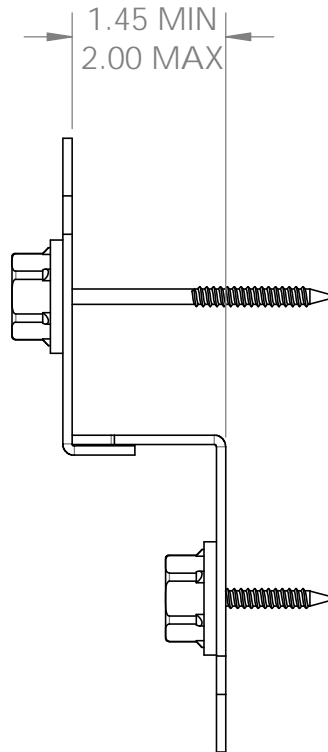
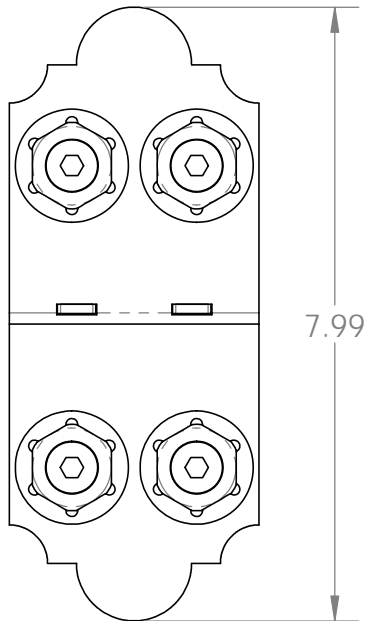
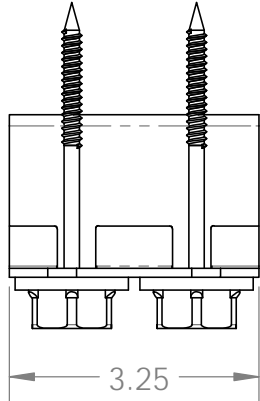
both styles available for  
most products



Ironwood  
(517XX series)



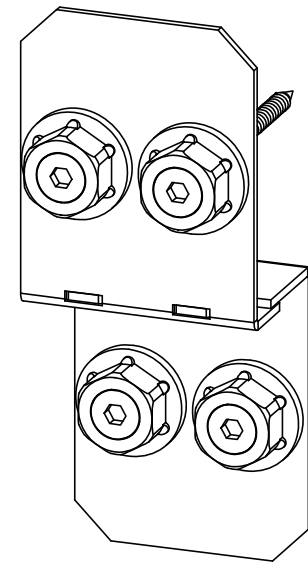
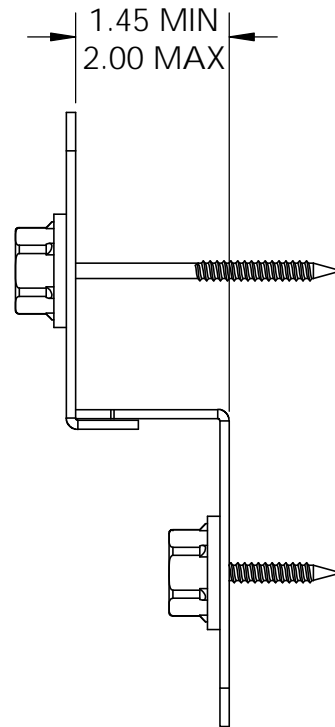
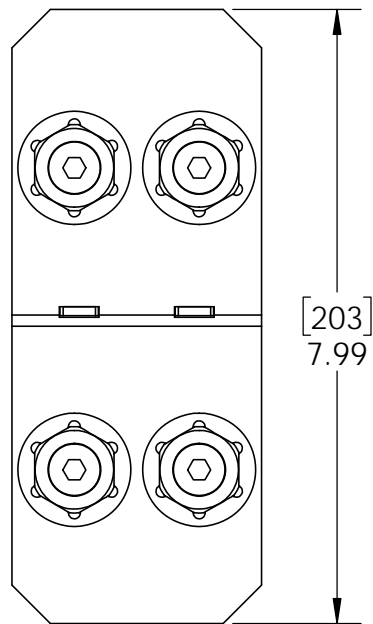
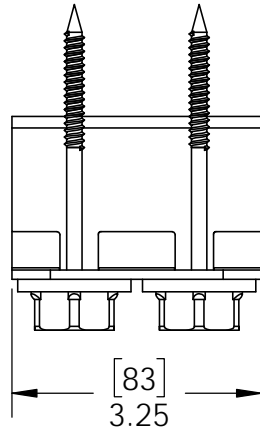
OZCO BUILDING PRODUCTS



kit includes 2 assemblies

**56675**

Installation Instructions, 56675



kit includes 2 assemblies

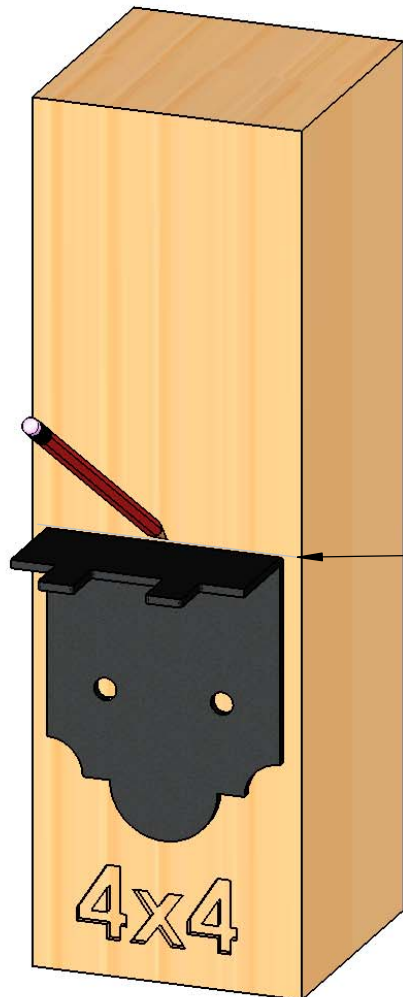
**51775**

Installation Instructions, 56675

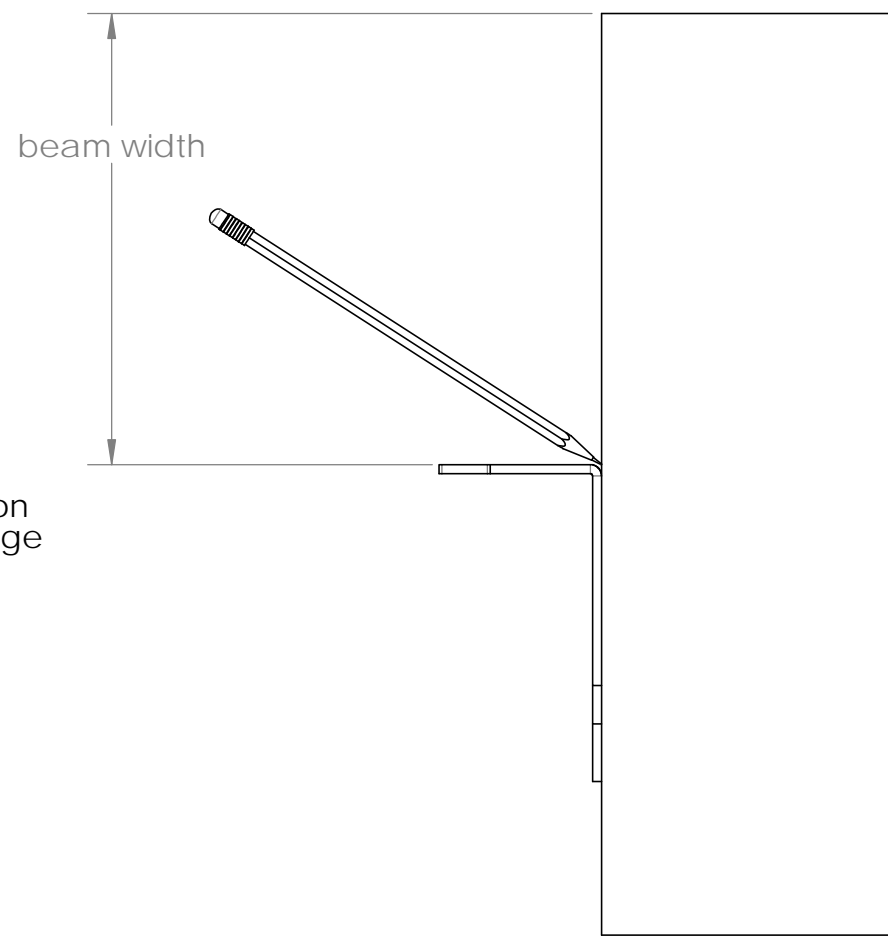
## Suggested Tools

(others may be required)

Installation Instructions, 56675

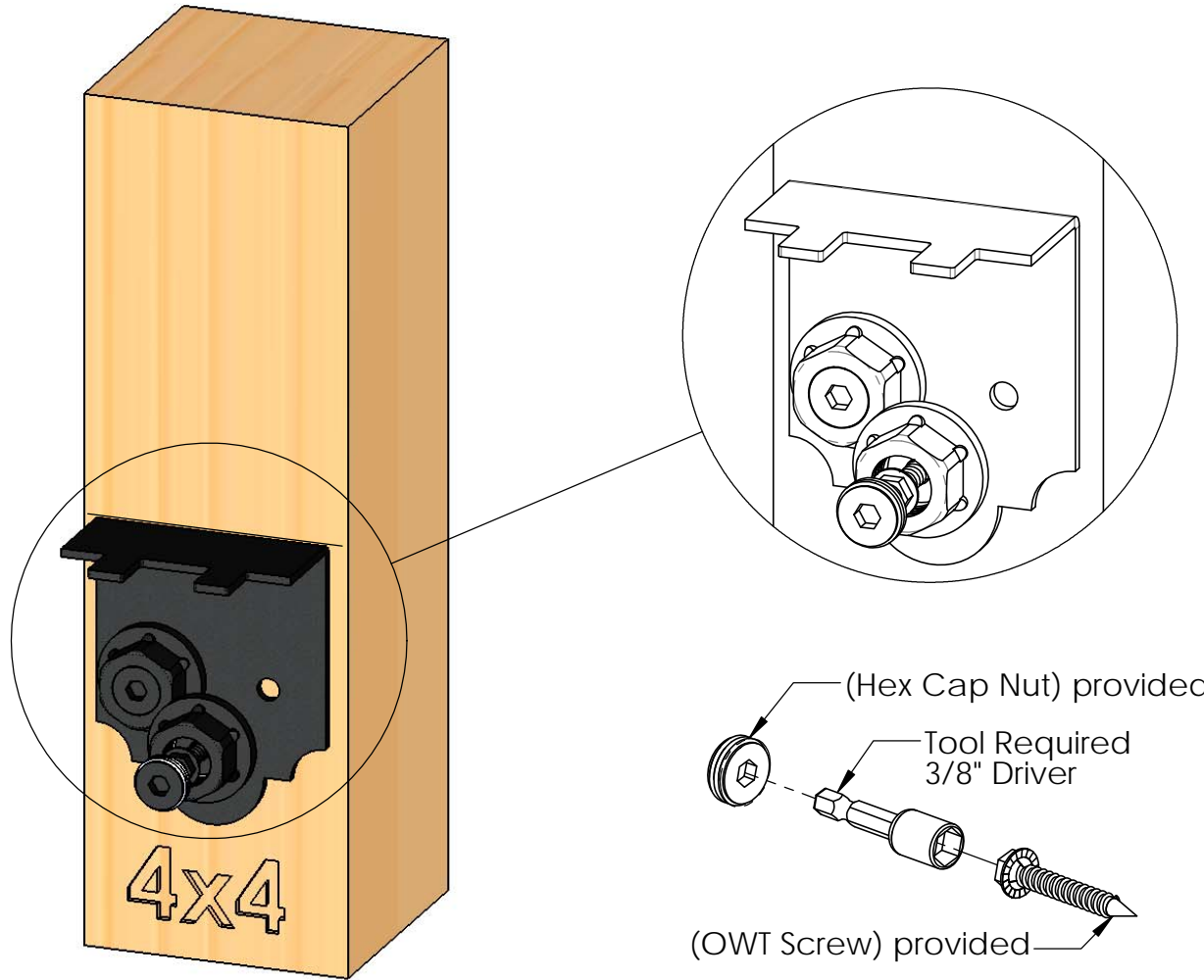


mark location  
to mount ledge



# step 1

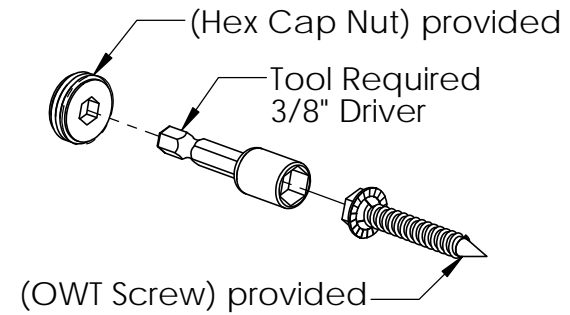
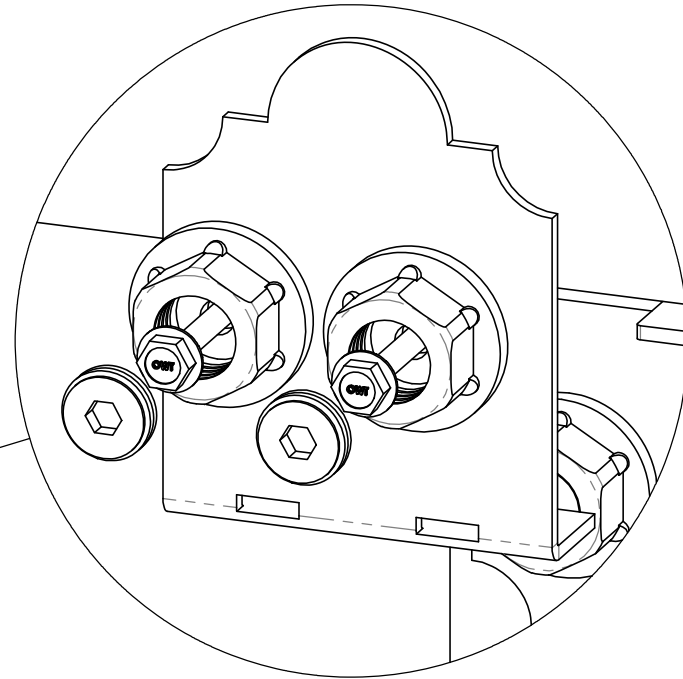
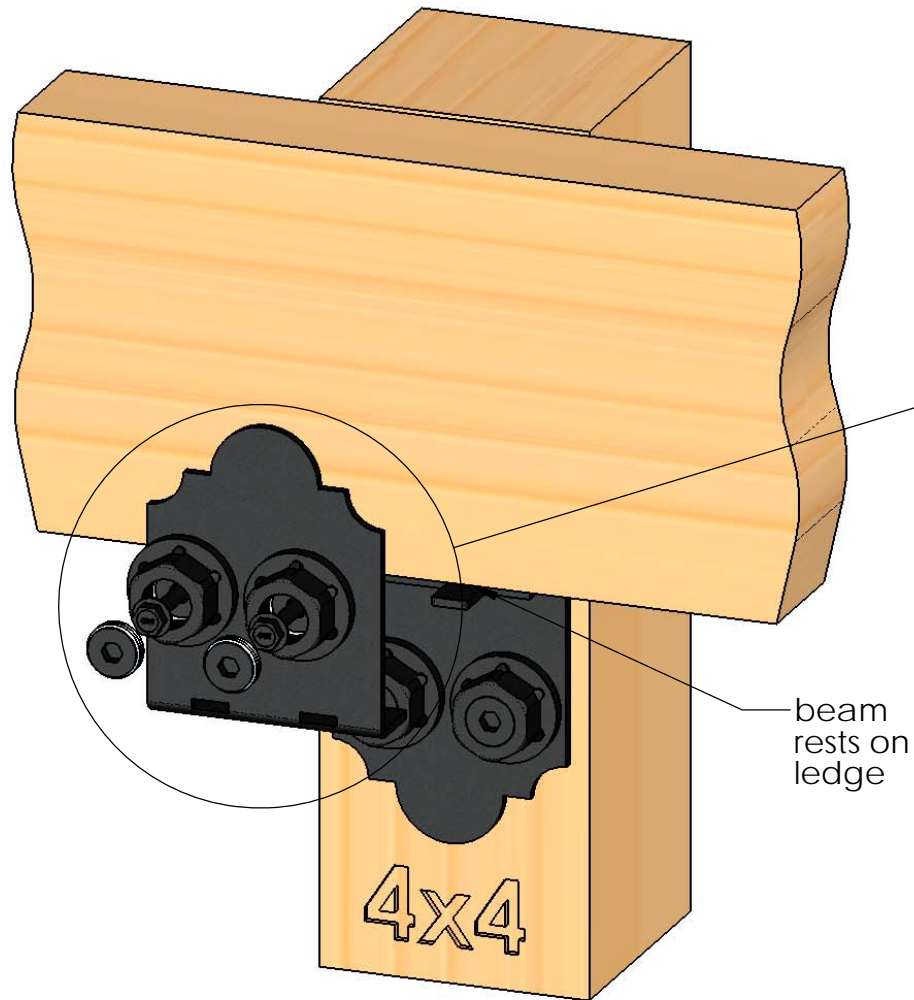
Installation Instructions, 56675



## step 2

Installation Instructions, 56675





### step 3

Installation Instructions, 56675