

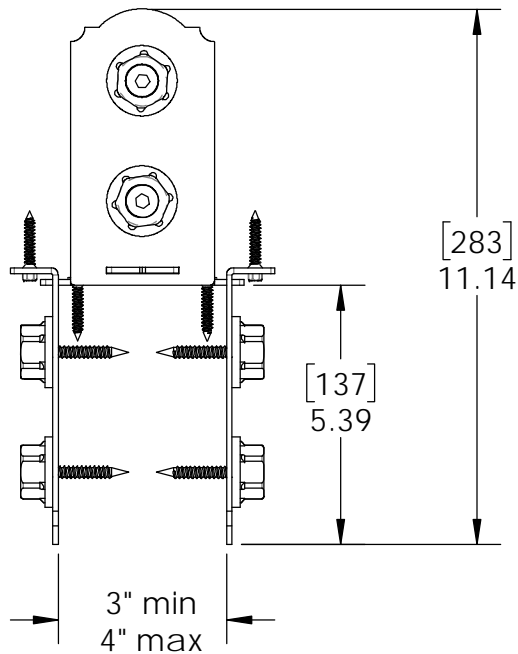
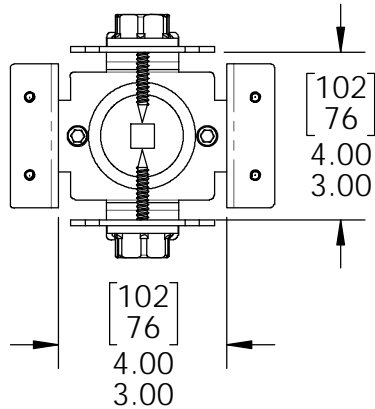


OZCO BUILDING PRODUCTS

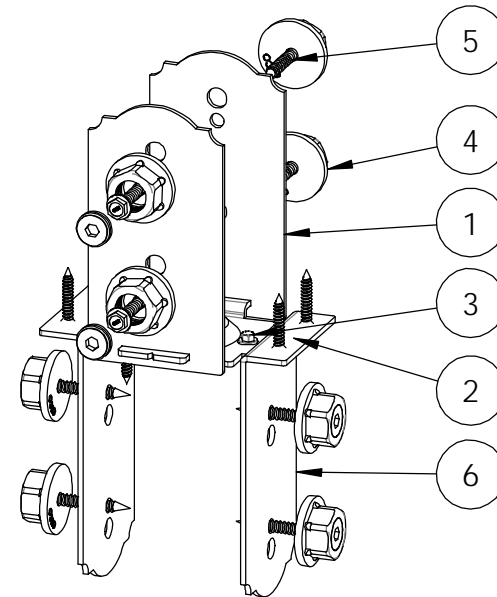
# Product & Packaging Specs

## 4x4 Column Cap (4X4-CAP-LS)

Item #: 56678



| ITEM NO. | QTY. | PART NUMBER | DESCRIPTION                                      |
|----------|------|-------------|--|
| 1        | 2    | 56678-12    | Plate, 4x4 Column Cap Compression LS             |
| 2        | 1    | 51778-11    | Plate, 4x4 Column Cap                            |
| 3        | 6    | 80060       | Screw, 1-1/2"x1/4" Black Hex-Head (1-1/2-HX-SCR) |
| 4        | 0.8  | 56621       | 1 1/2" Hex Cap Nut (HCN)                         |
| 5        | 0.32 | 56625       | OWT Timber Screw 1-3/4"                          |
| 6        | 2    | 56678-13    | Plate, 4x4 Column Cap Compression LS             |



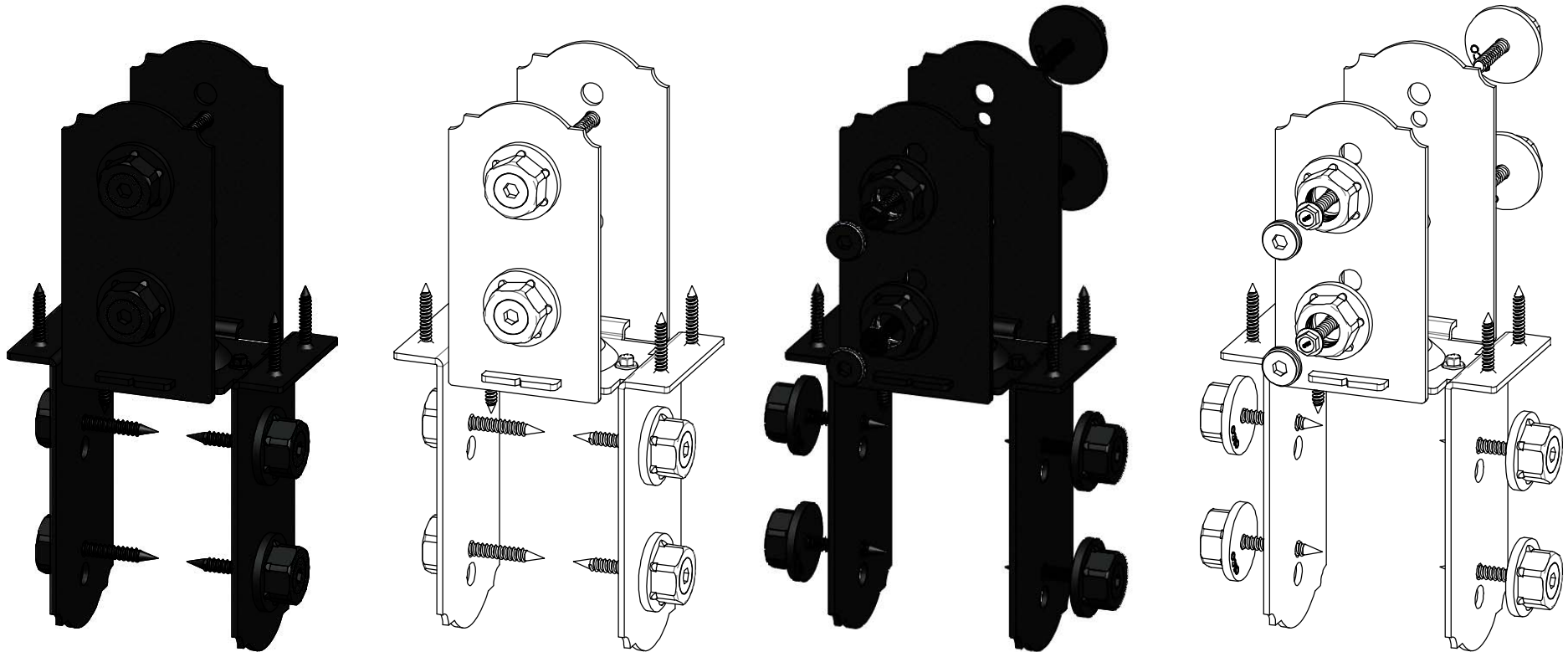
Weight: 3.22 LBS  
 Scale: 1:4  
 Last updated: 3/26/2018

56678

# Product & Packaging Specs

## 4x4 Column Cap (4X4-CAP-LS)

Item #: 56678



Weight: 3.22 LBS  
Scale: 1:1  
Last updated: 3/26/2018

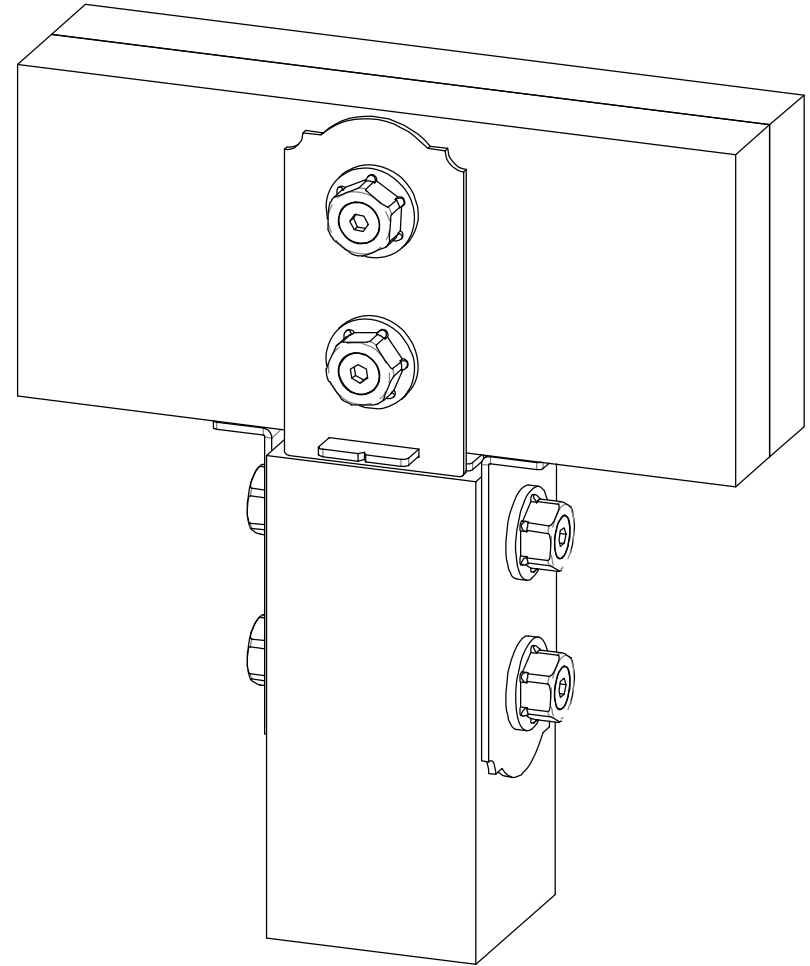
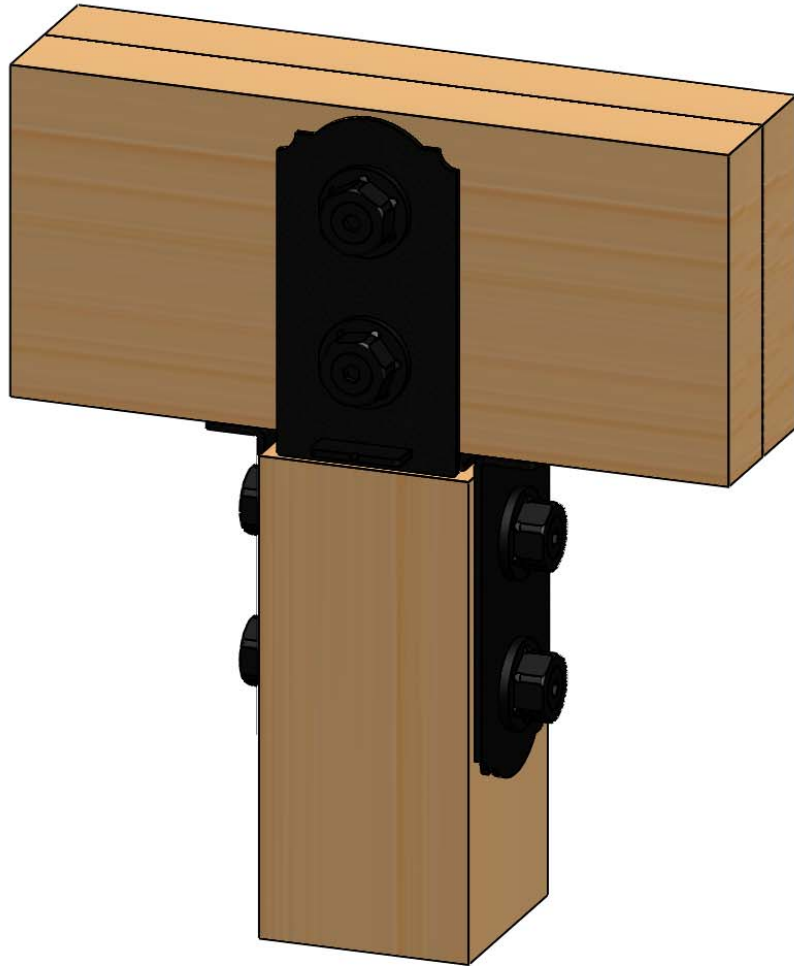
56678



# Product & Packaging Specs

## 4x4 Column Cap (4X4-CAP-LS)

Item #: Typical Installation 4x4/2x6



Weight: 13.91 LBS  
Scale: 1:1  
Last updated: 3/26/2018

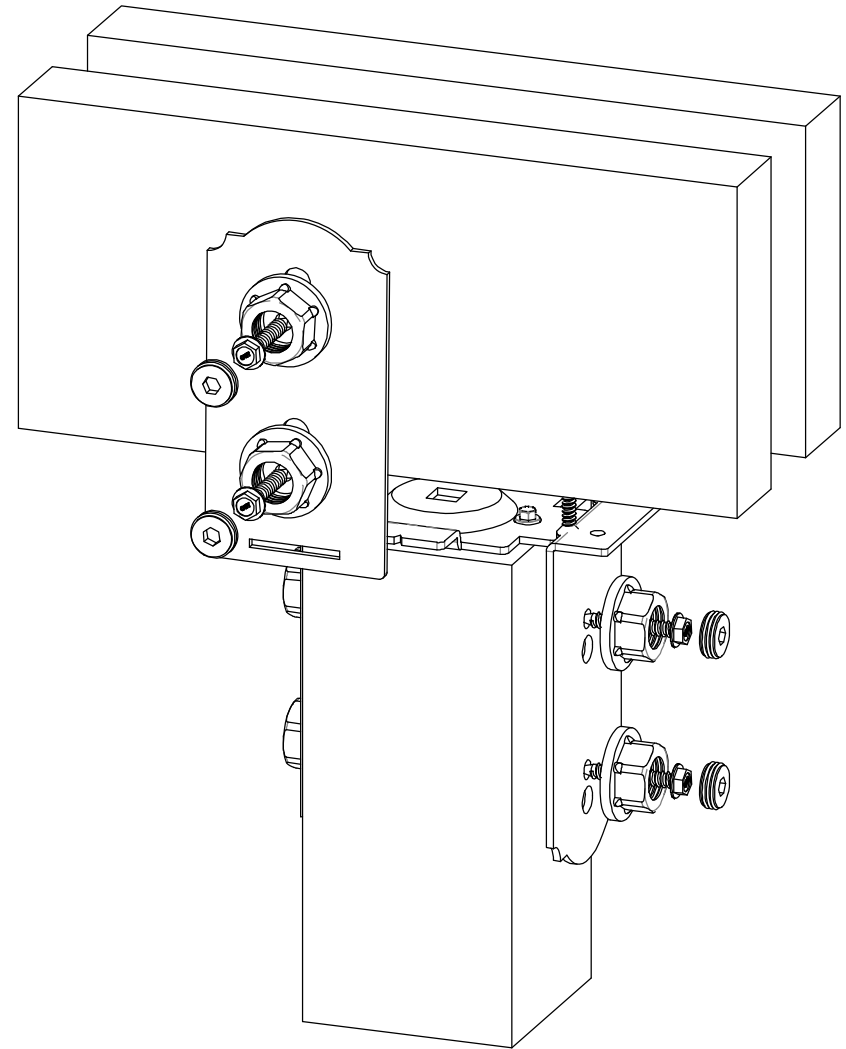
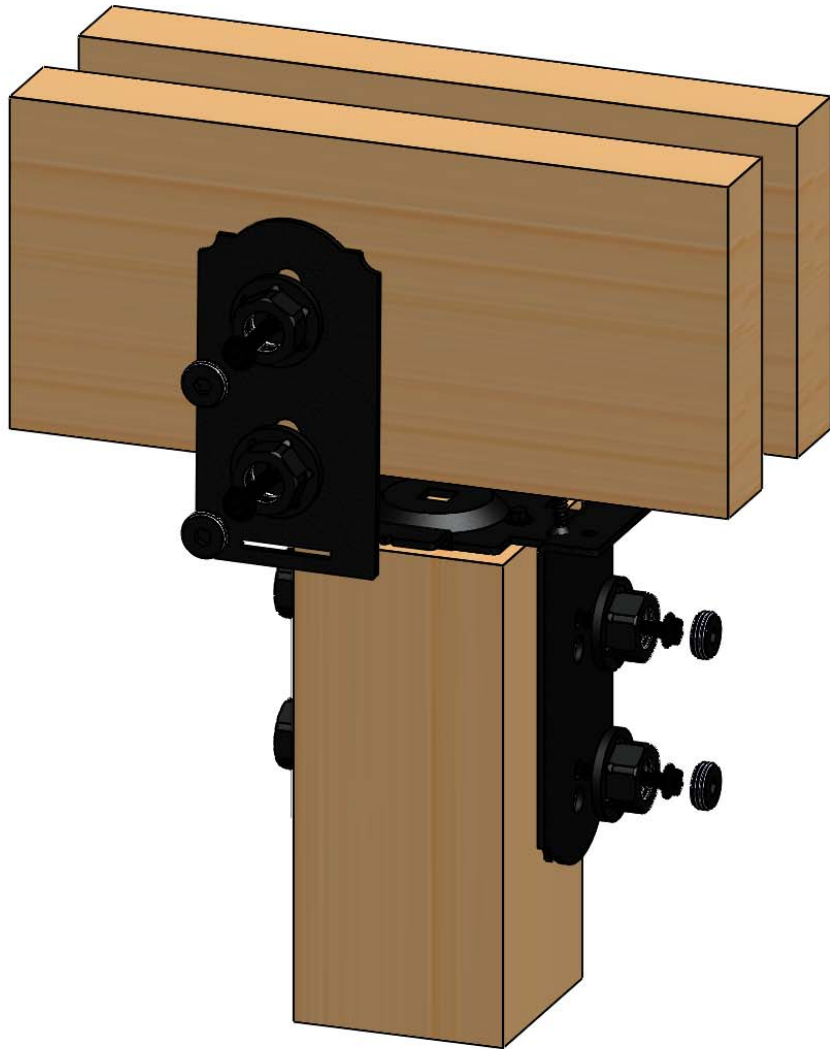
56678



# Product & Packaging Specs

## 4x4 Column Cap (4X4-CAP-LS)

Item #: Typical Installation 4x4/2x6



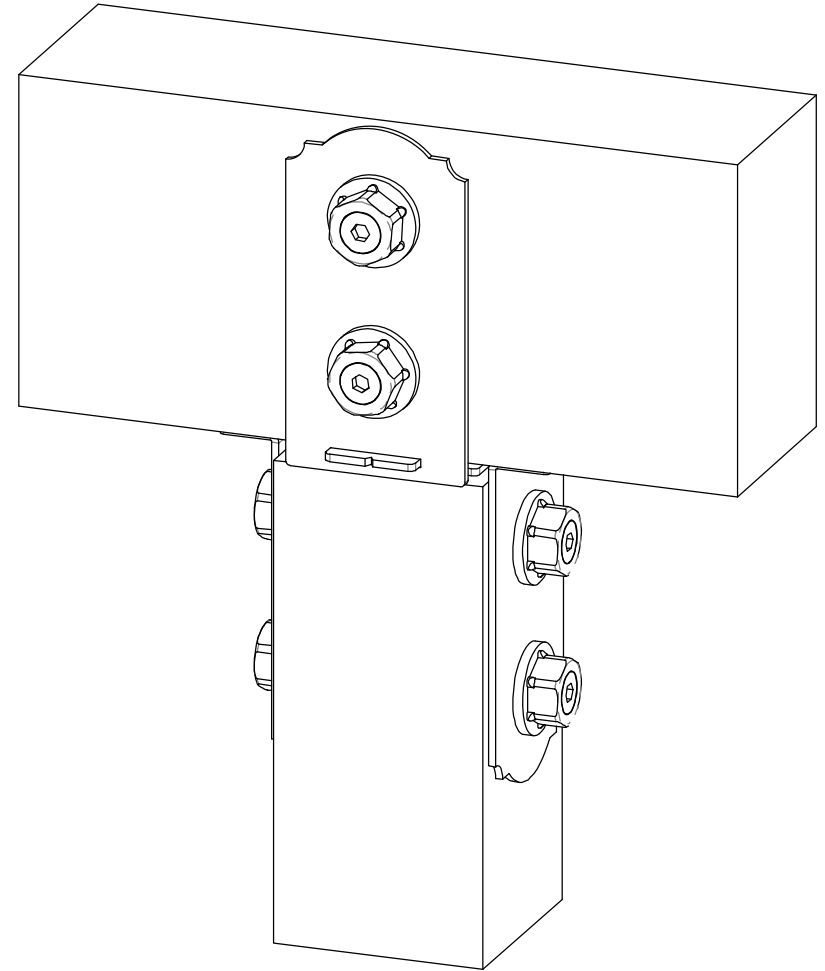
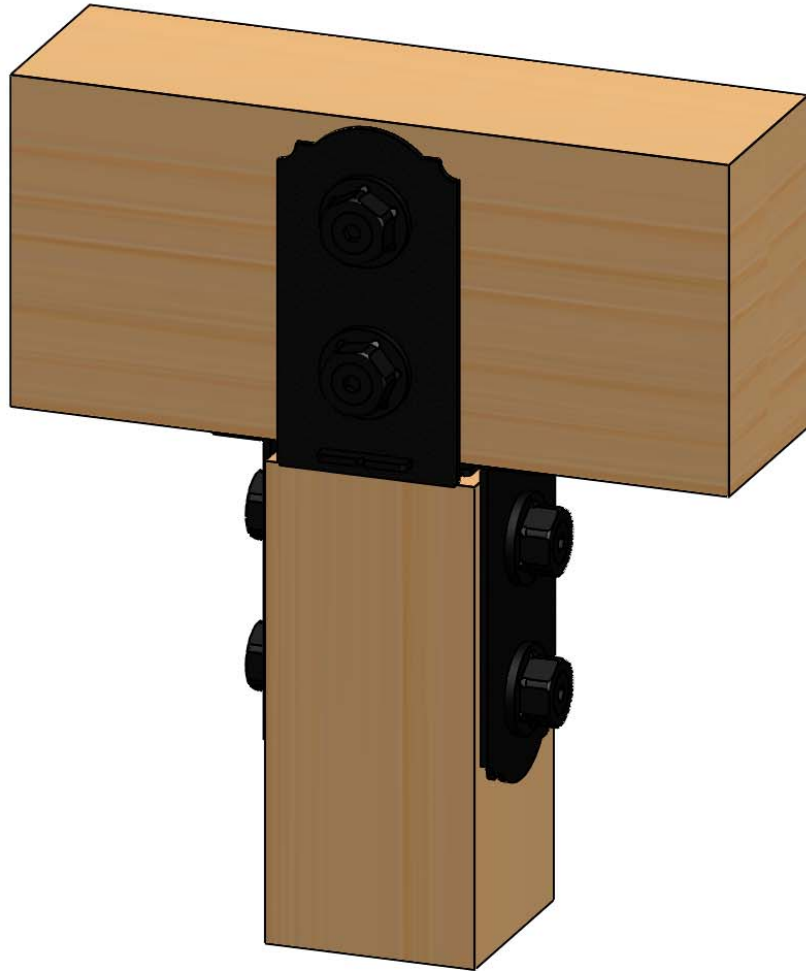
Weight: 13.91 LBS  
Scale: 1:1  
Last updated: 3/26/2018

56678

# Product & Packaging Specs

## 4x4 Column Cap (4X4-CAP-LS)

Item #: Typical Installation 4x4/4x6



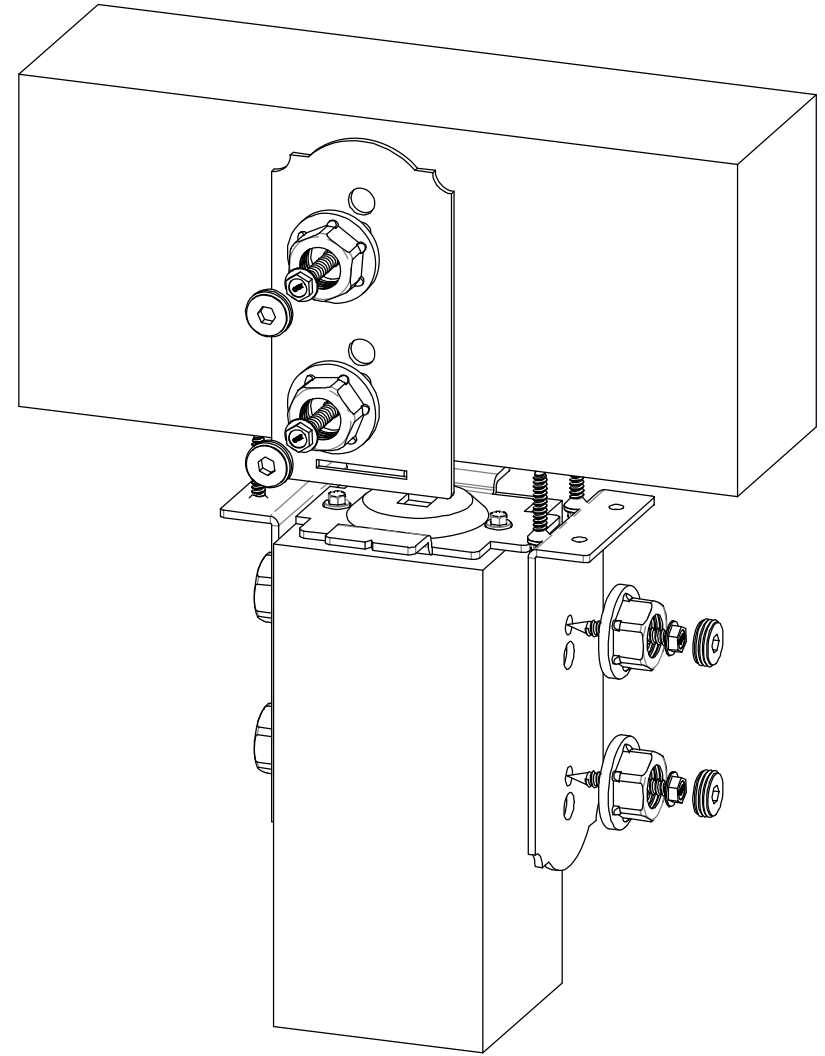
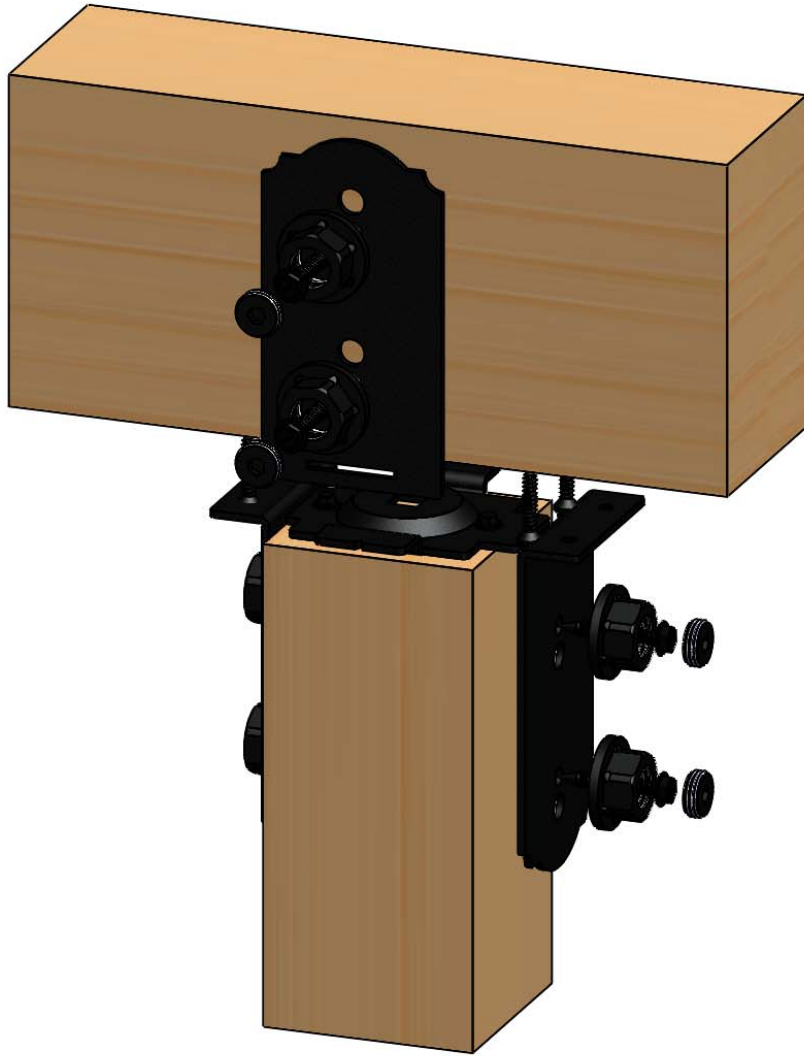
Weight: 15.10 LBS  
Scale: 1:1  
Last updated: 3/26/2018

56678

# Product & Packaging Specs

## 4x4 Column Cap (4X4-CAP-LS)

Item #: Typical Installation 4x4/4x6



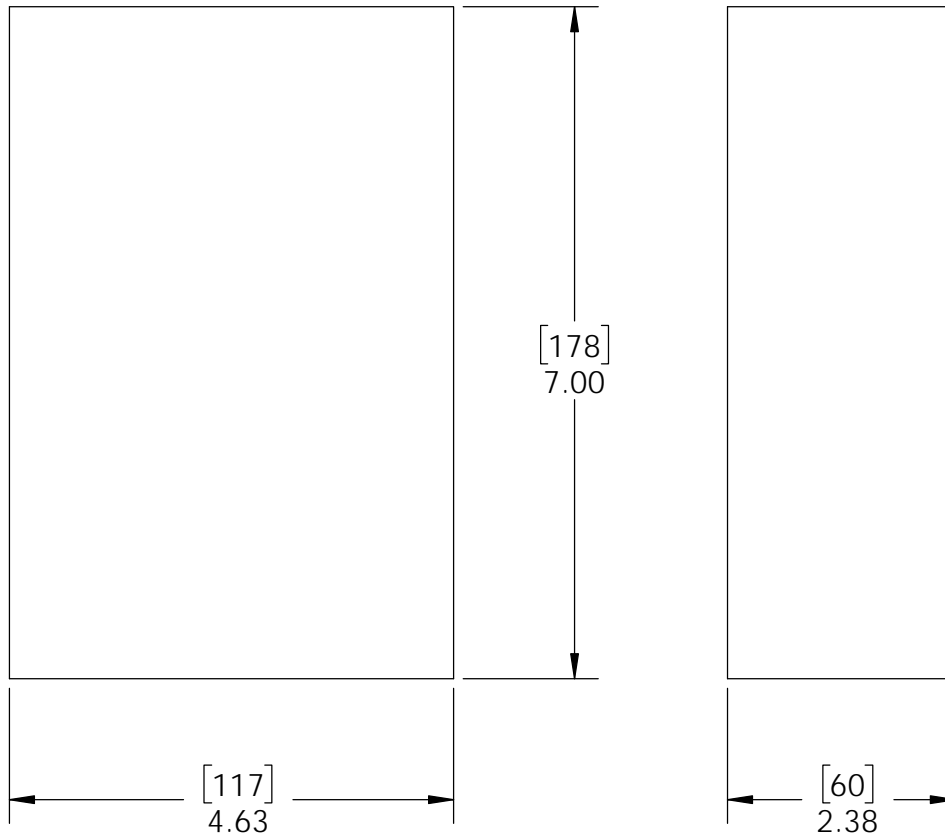
Weight: 15.10 LBS  
Scale: 1:1  
Last updated: 3/26/2018

56678

# Product & Packaging Specs

Box, 56678

Item #: Box



Material: Corrugated Paper  
 Finish: See Artwork  
 Weight: 0.05 LBS  
 Scale: 1:2  
 Last updated: 3/26/2018

56678

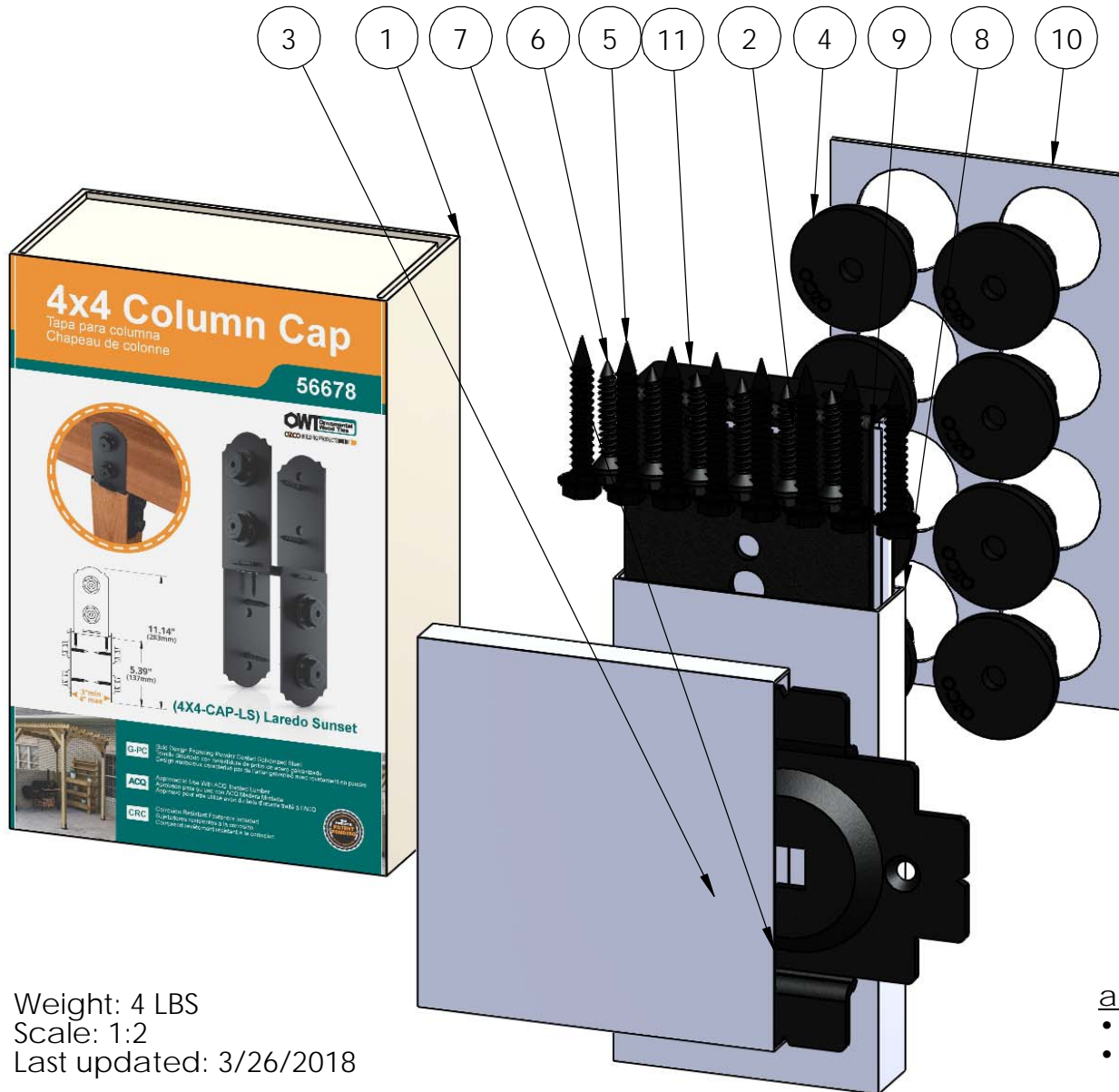


OZCO BUILDING PRODUCTS

# Product & Packaging Specs

## 56678 Packing

Item #: Box packing



| ITEM NO. | QTY  | PART NUMBER              | DESCRIPTION                                      |
|----------|------|--------------------------|--|
| 1        | 1    | Box, 56678               | Box, 56678                                       |
| 2        | 2    | 56678-12                 | Plate, 4x4 Column Cap Compression LS             |
| 3        | 1    | 51778-11                 | Plate, 4x4 Column Cap                            |
| 4        | 0.8  | 56621                    | 1 1/2" Hex Cap Nut (HCN)                         |
| 5        | 0.32 | 56625                    | OWT Timber Screw 1-3/4"                          |
| 6        | 6    | 80060                    | Screw, 1-1/2"x1/4" Black Hex-Head (1-1/2-HX-SCR) |
| 7        | 1    | Sleeve, 56678            | Sleeve, 56678                                    |
| 8        | 1    | Sleeve for Plates, 56678 | Sleeve for Plates, 56678                         |
| 9        | 1    | Insert, 56678            | Insert, 56678                                    |
| 10       | 1    | Insert HCN, 56678        | Insert HCN, 56678                                |
| 11       | 2    | 56678-13                 | Plate, 4x4 Column Cap Compression LS             |

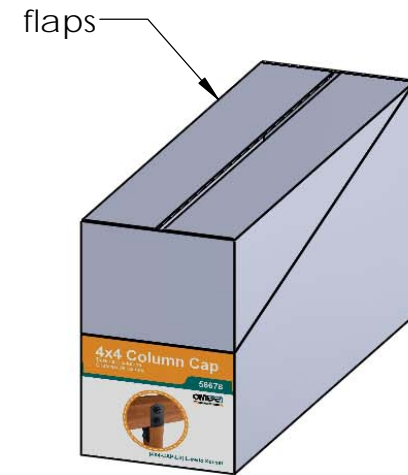
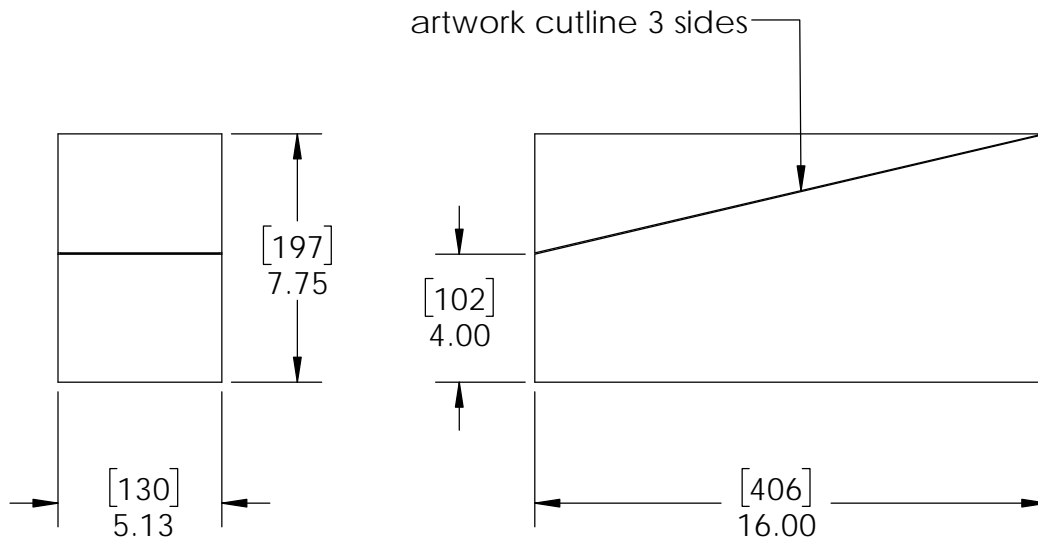
Weight: 4 LBS  
Scale: 1:2  
Last updated: 3/26/2018

additional box packing instructions

- cellophane clear wrap package
- screws will be placed in bag (not shown)

56678





Material: Corrugated Paper  
 Finish: See artwork  
 Weight: 0.21 LBS  
 Scale: 1:6  
 Last updated: 3/26/2018

56678

# Product & Packaging Specs

56678 Packing

Item #: Case packing



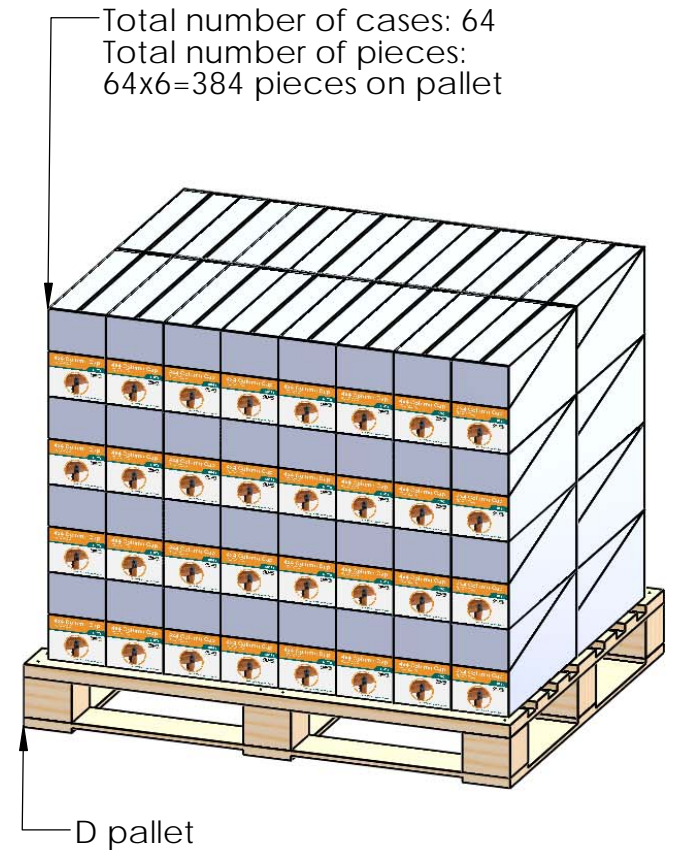
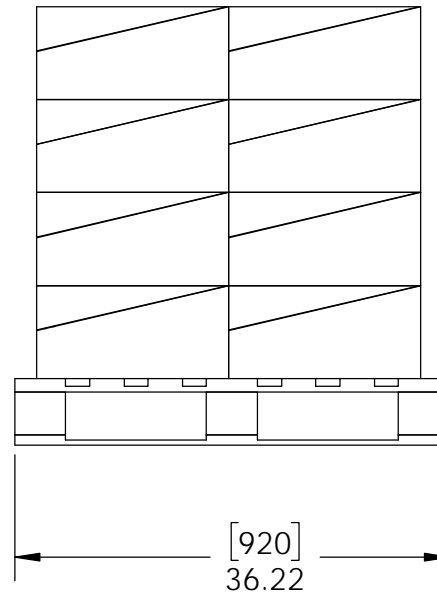
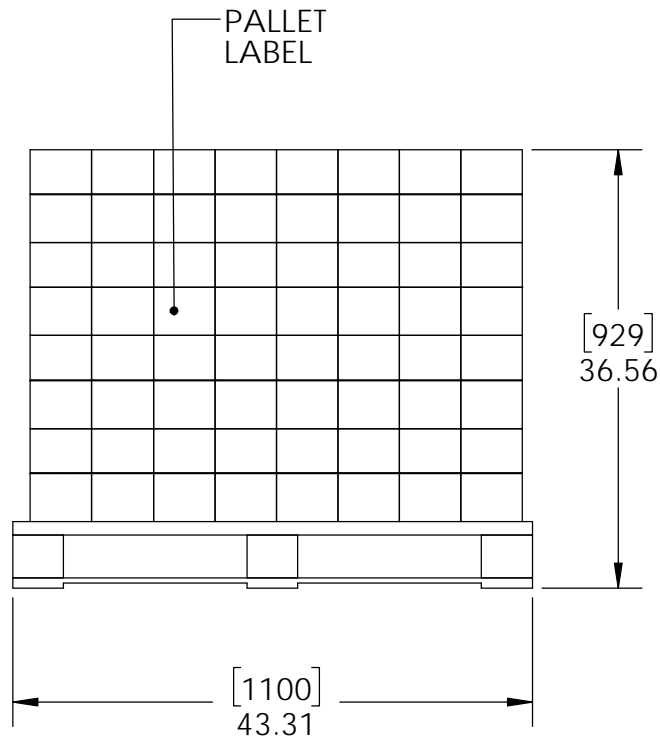
Weight: 22 LBS  
Scale: 1:2.5  
Last updated: 3/26/2018

56678

# Product & Packaging Specs

## 56678 Packing

Item #: Pallet packing



Weight: 1068 LBS  
 Scale: 1:16  
 Last updated: 3/26/2018

additional pallet packing instructions

- plywood on top layer
- strap to pallet
- clear wrap around boxes

