

**DESIGN**

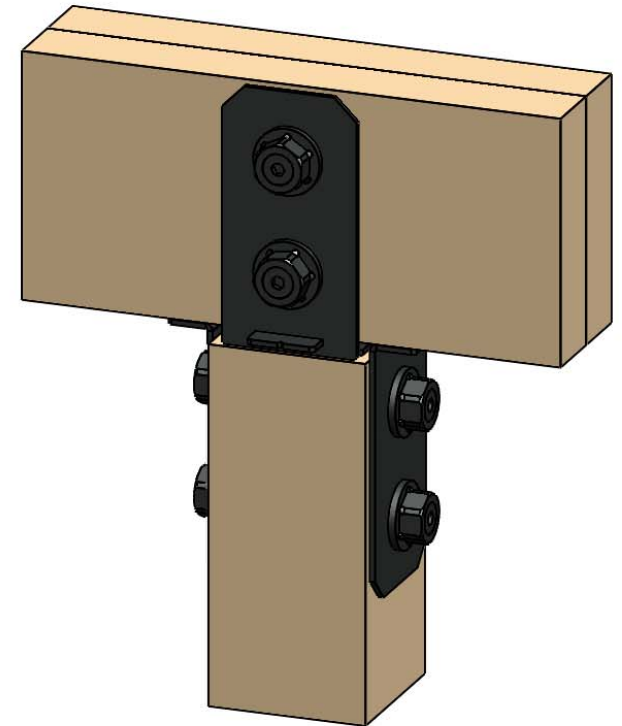
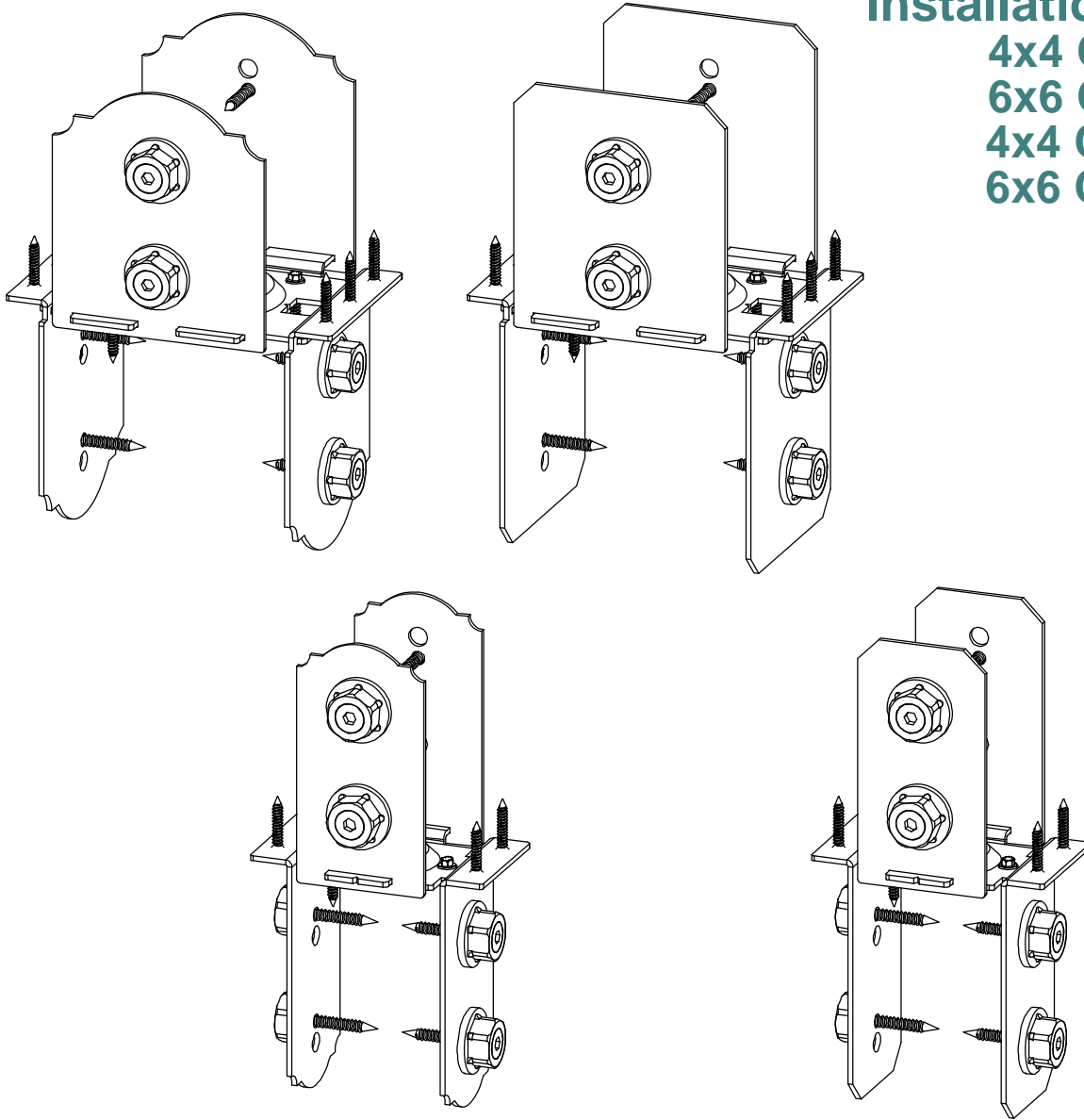
**PURCHASE**

**CONSTRUCT**

**ENJOY**

## Installation Instructions, Column Caps

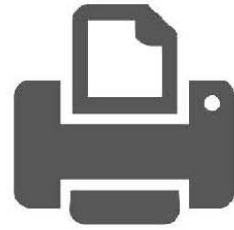
- 4x4 Column Cap (4X4-CAP-IW) 51778
- 6x6 Column Cap (6X6-CAP-IW) 51779
- 4x4 Column Cap (4X4-CAP-LS) 56778
- 6x6 Column Cap (6X6-CAP-LS) 56779



51778 shown with  
4x4 post 2x6 beams

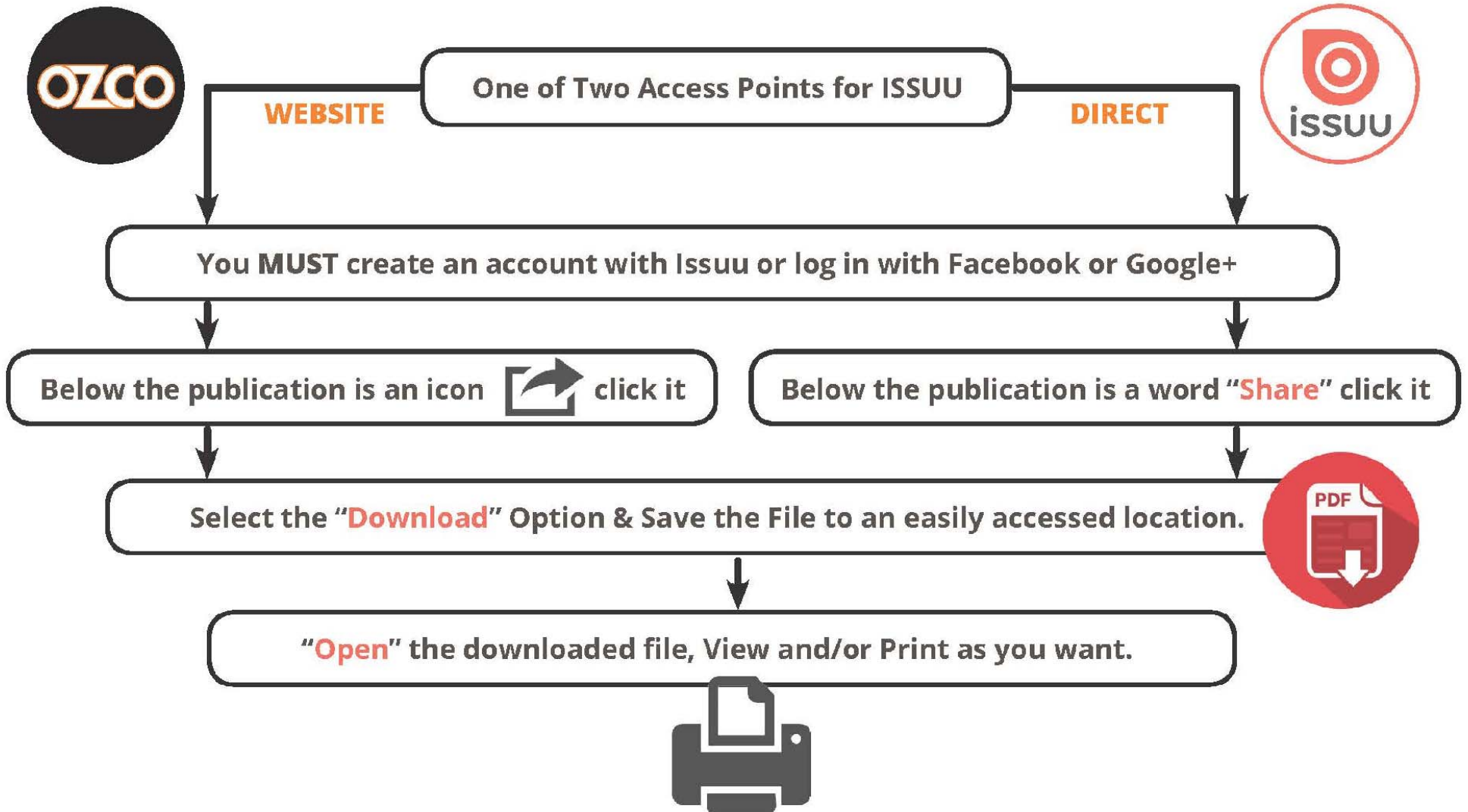


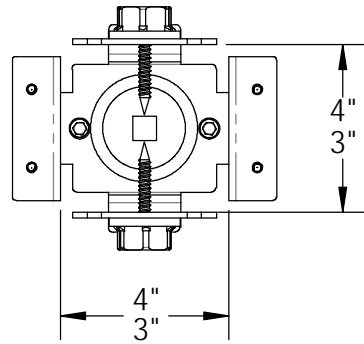
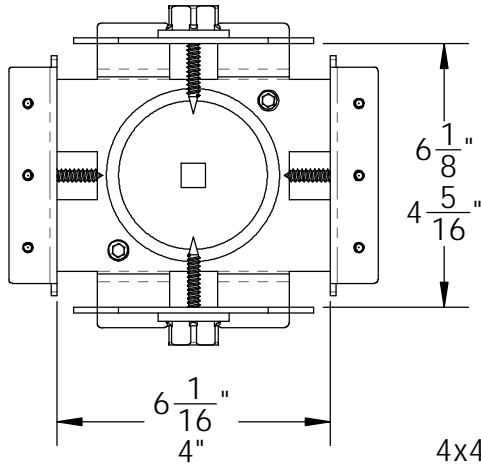
**OZCO** BUILDING PRODUCTS



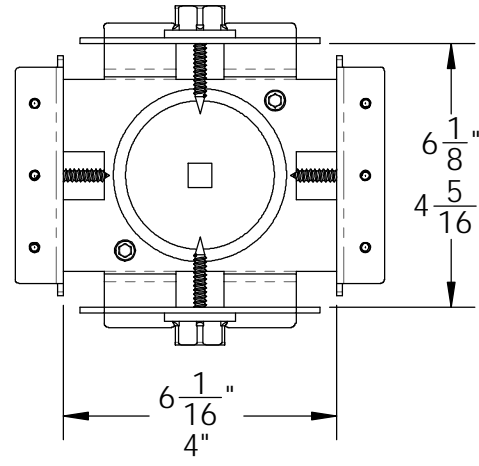
# Printing Documents from ISSUU

Unfortunately, there is currently no way to print content directly through issuu. To print a publication, you will need to download it and print it from your computer.

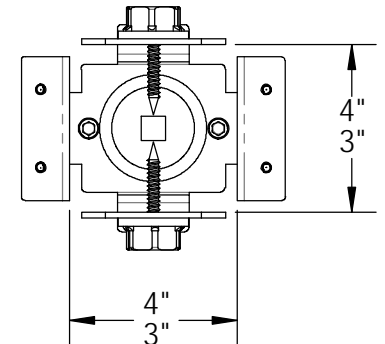




4x4 Column Cap (4X4-CAP-LS)  
56678

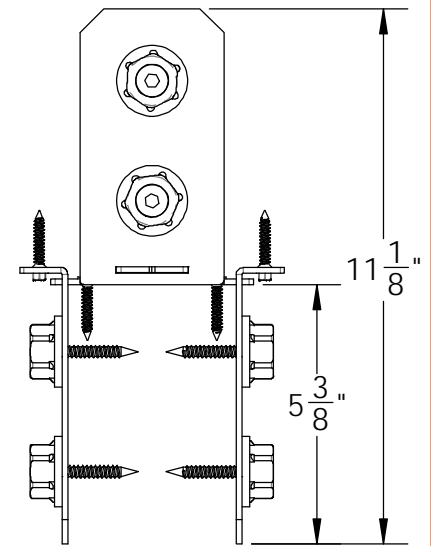
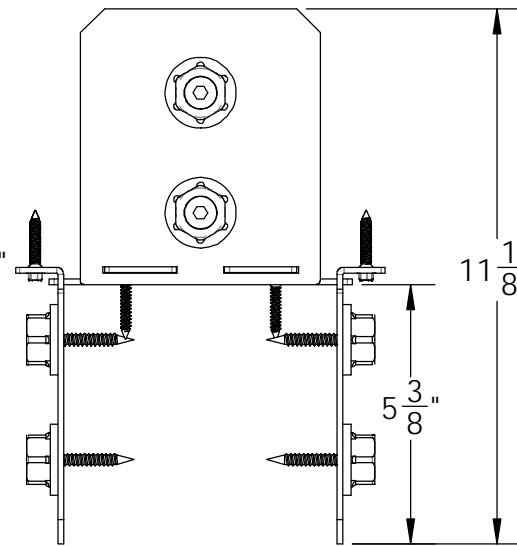
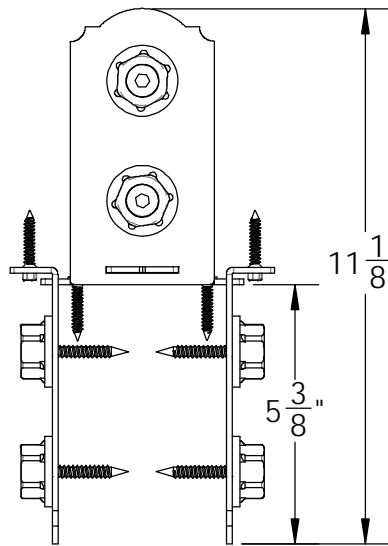
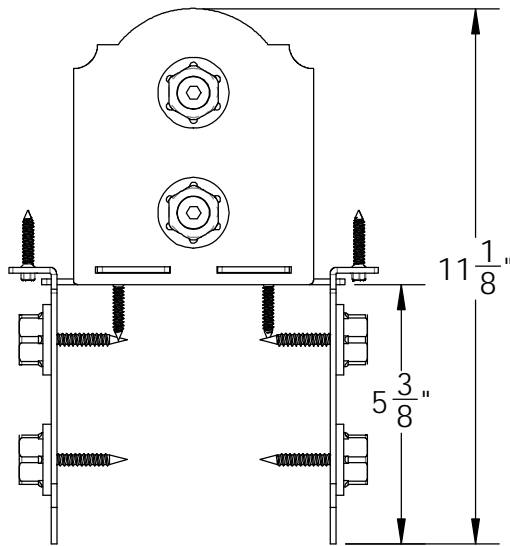


6x6 Column Cap (6X6-CAP-IW)  
51779



4x4 Column Cap (4X4-CAP-IW)  
51778

6x6 Column Cap (6X6-CAP-LS)  
56679



## Overview

### Installation Instructions, Column Caps

this instruction illustrates 4x4 Column Cap; same procedure for 6x6 with additional screws

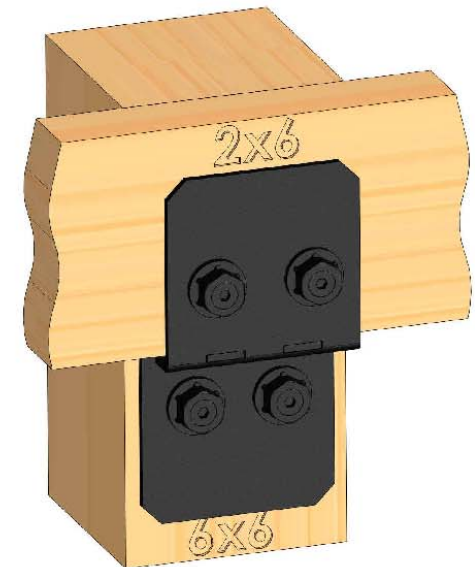
# Laredo Sunset & Ironwood



Laredo Sunset  
(566XX series)

2 great styles  
Same functionality  
choose your  
connection lifestyle

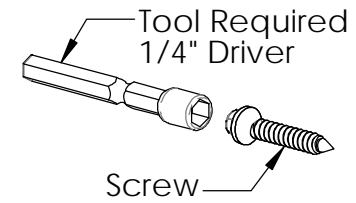
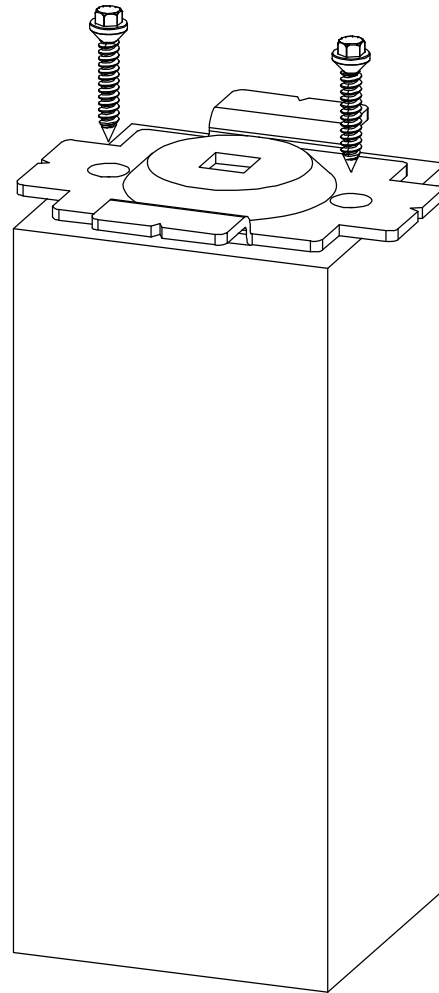
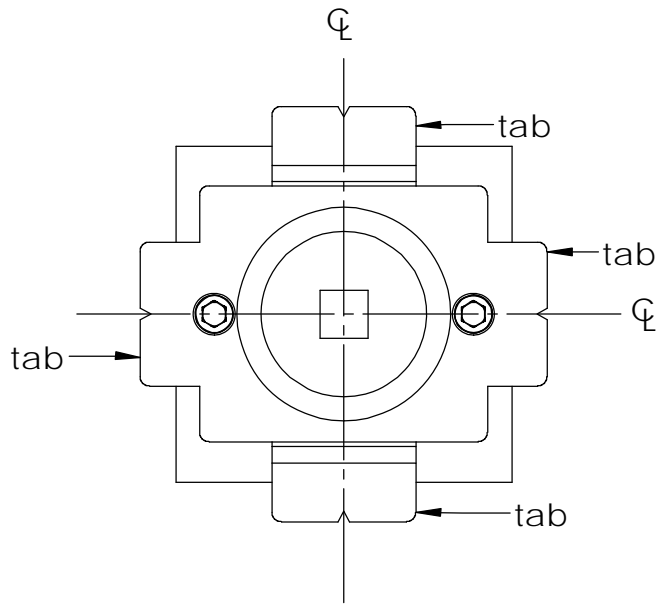
both styles available for  
most products



Ironwood  
(517XX series)

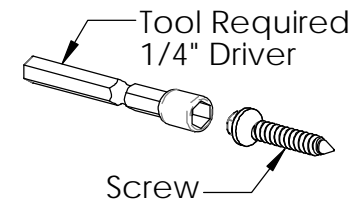
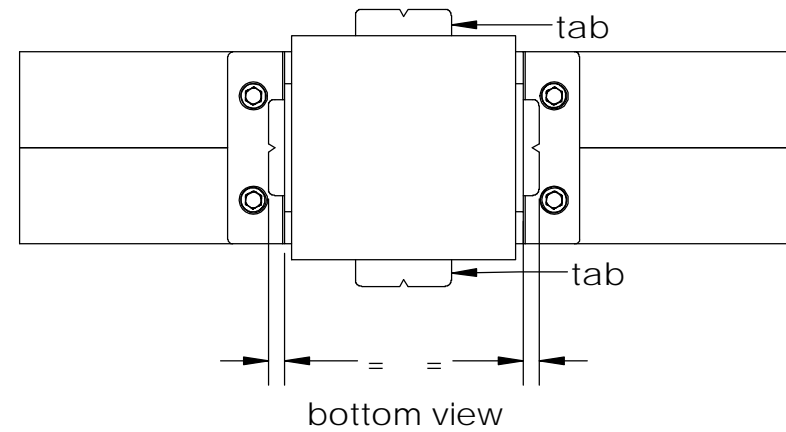
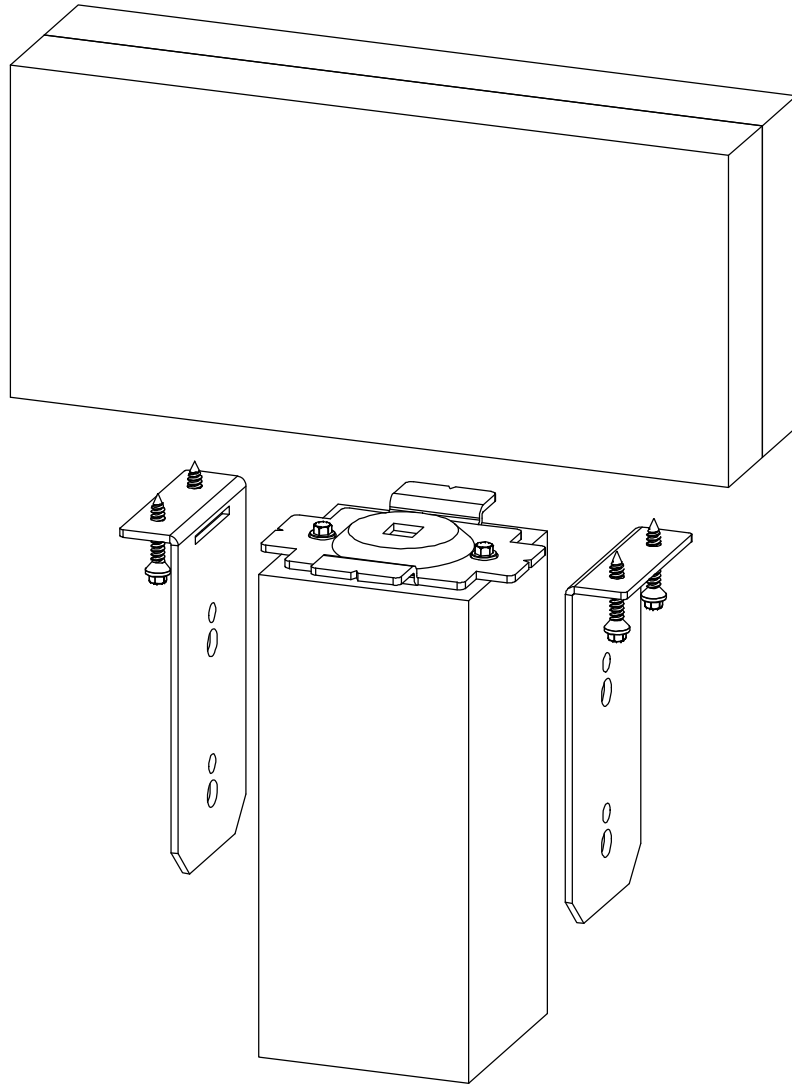


this instruction illustrates 4x4 Column Cap; same procedure for 6x6 with additional screws



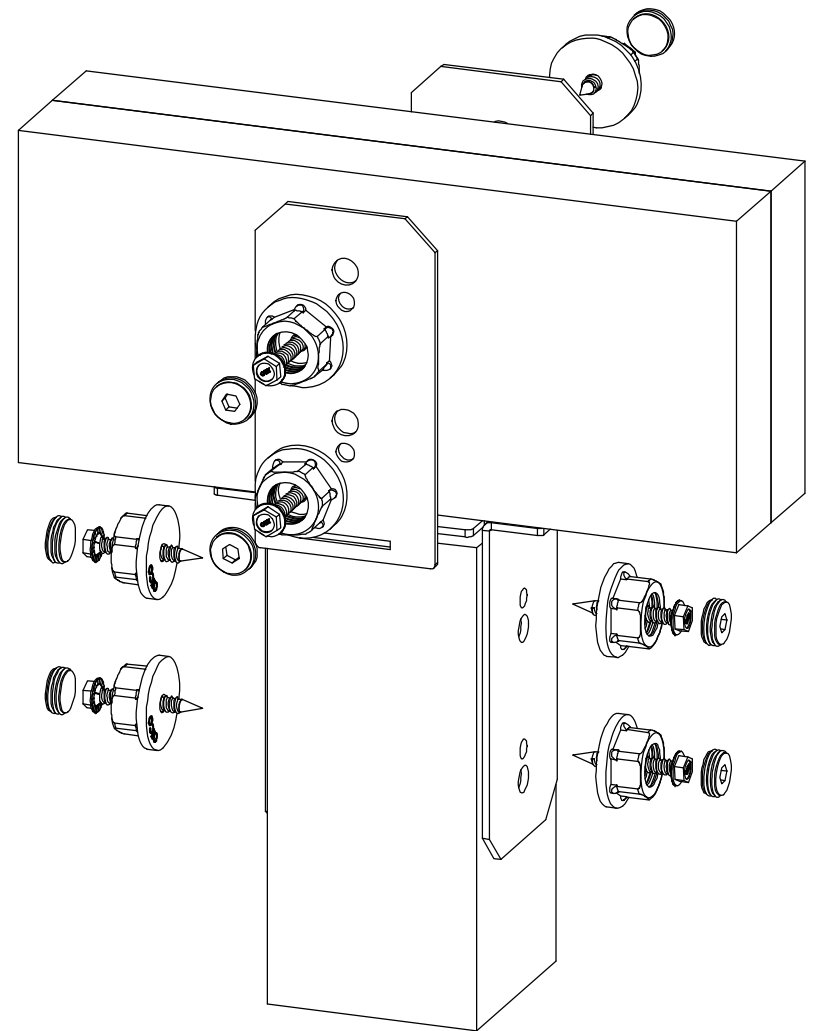
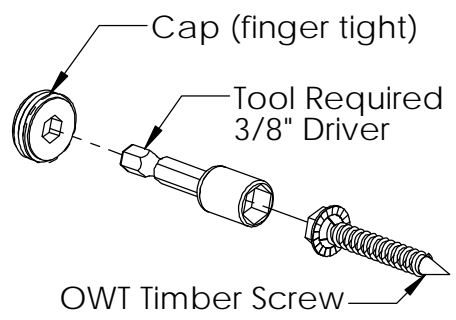
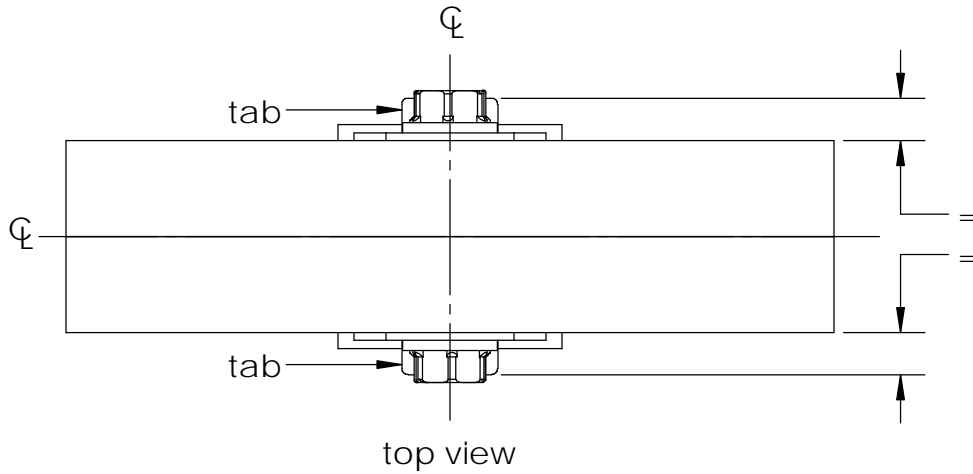
## Typical Installation step 1

this instruction illustrates 4x4 Column Cap; same procedure for 6x6 with additional screws



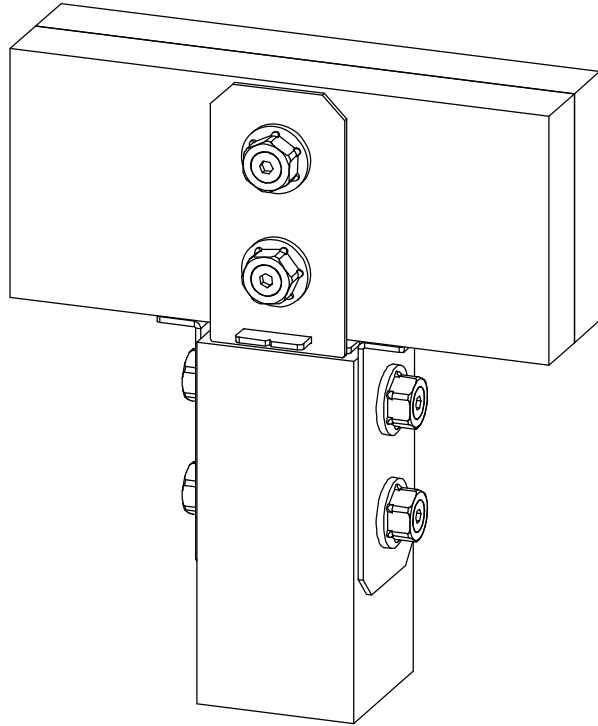
## Typical Installation step 2

this instruction illustrates 4x4 Column Cap; same procedure for 6x6 with additional screws

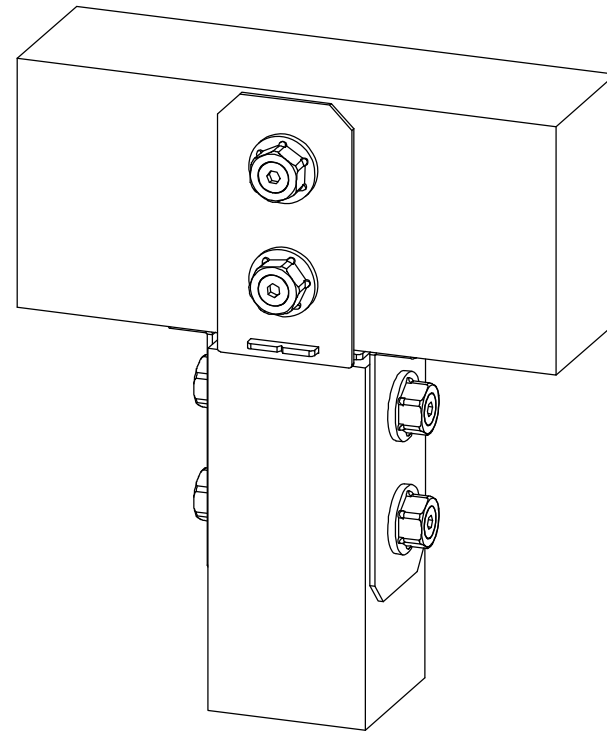


## Typical Installation step 3

this instruction illustrates 4x4 Column Cap; same procedure for 6x6 with additional screws



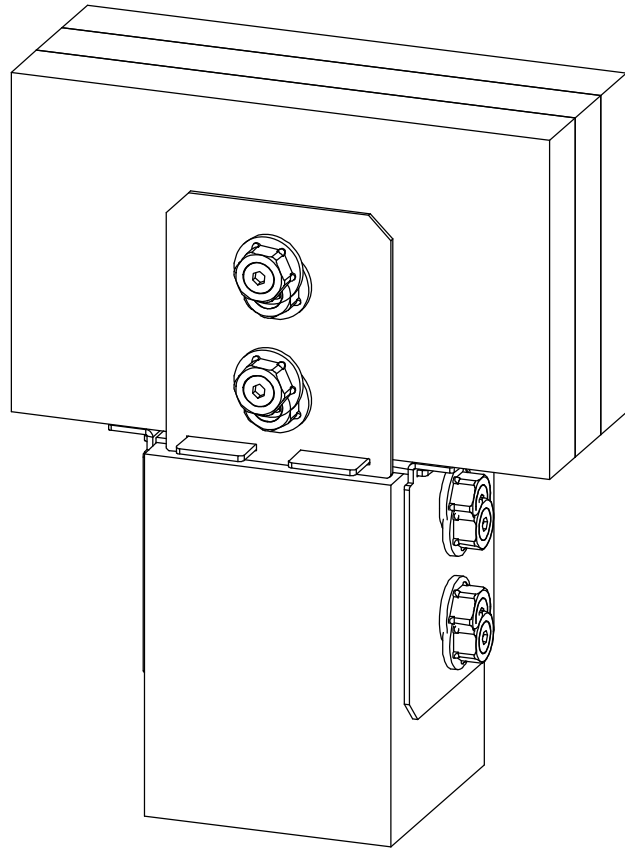
4x4 post 2x6 beams



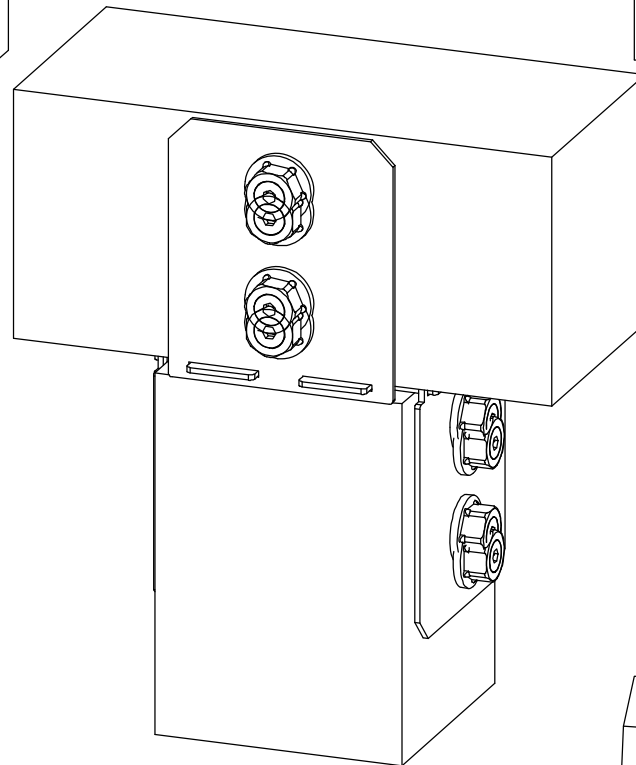
4x4 Post 4x6 Beam

## Applications: 51778 (shown) & 56678

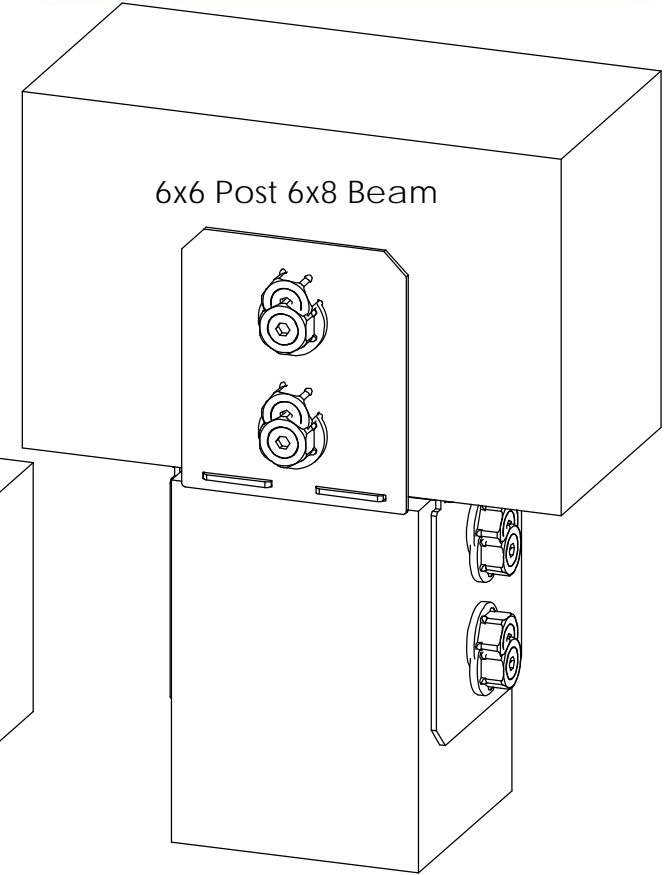




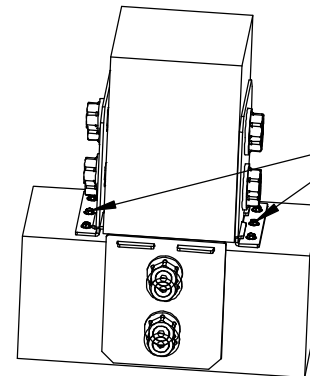
6x6 post 2x8 beams



6x6 Post 6x6 Beam



6x6 Post 6x8 Beam



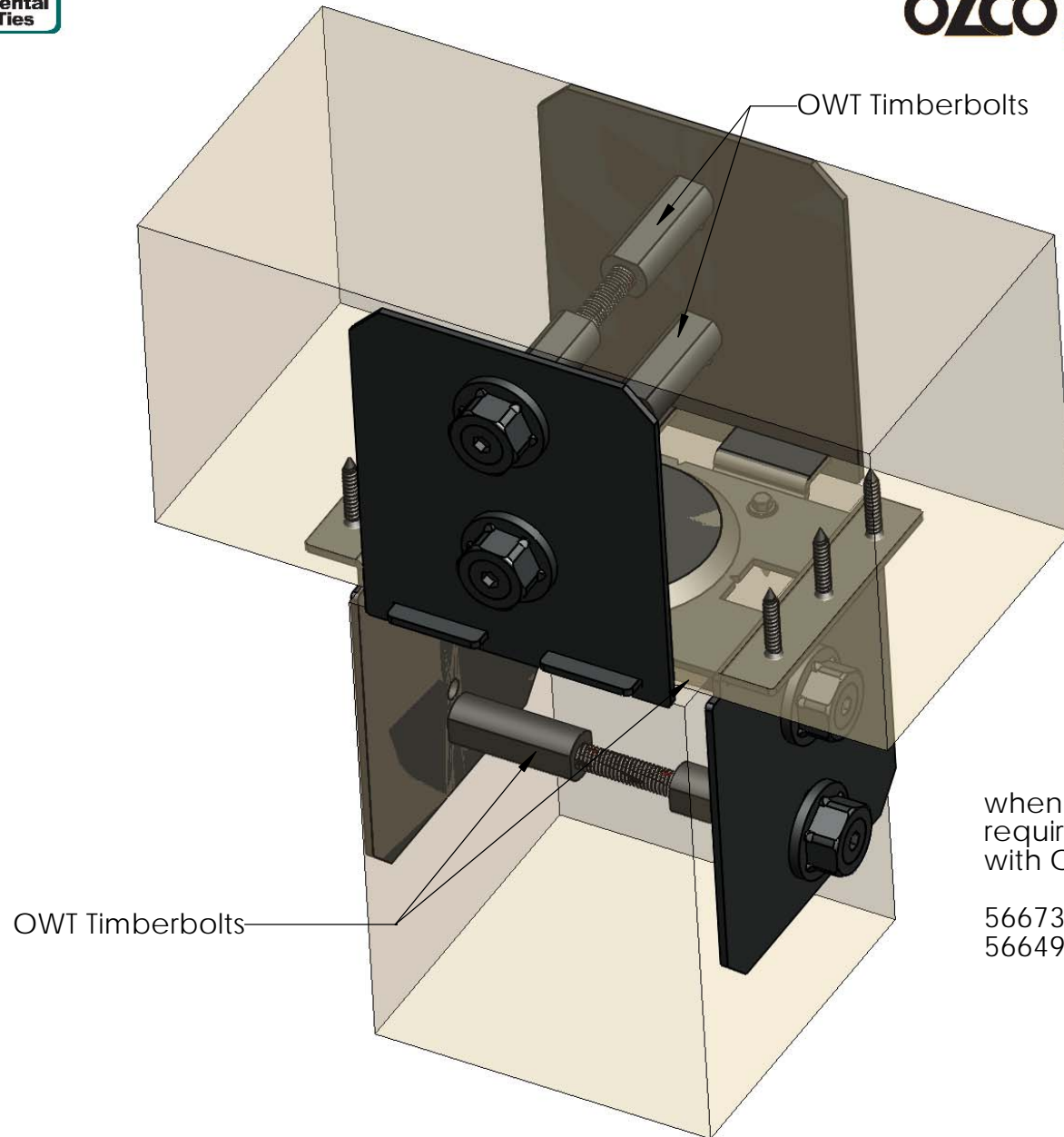
6x6 has  
additional  
screws

## Applications: 51779 (shown) & 56679

Installation Instructions, Column Caps

V2.00 - Installation Instructions, Specifications and Project Plans are effective 3/8/2018 . This information is updated periodically and should not be relied upon after 2 years from 3/8/2018 . Please visit [OZCOBP.com](http://OZCOBP.com) to get current information.

this instruction illustrates 4x4 Column Cap; same procedure for 6x6 with additional screws



when code or exceptional strength is required, replace provided fasteners with OWT Timberbolts.

56673 for 4x4 Column Cap  
56649 for 6x6 Column Cap (shown)

## Optional Timberbolt Installation