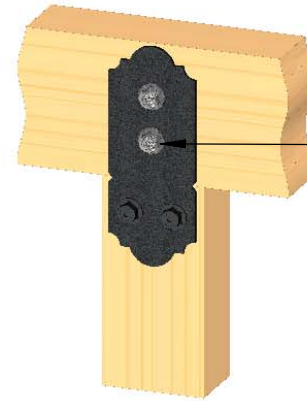


Installation Instructions, 56676 8" Post to Beam Flush (P2B-LS-8F) 51776 8" Post to Beam Flush (P2B-IW-8F)



upper fasteners sold separately;
OWT Timber Screws
or OWT Timber Bolts

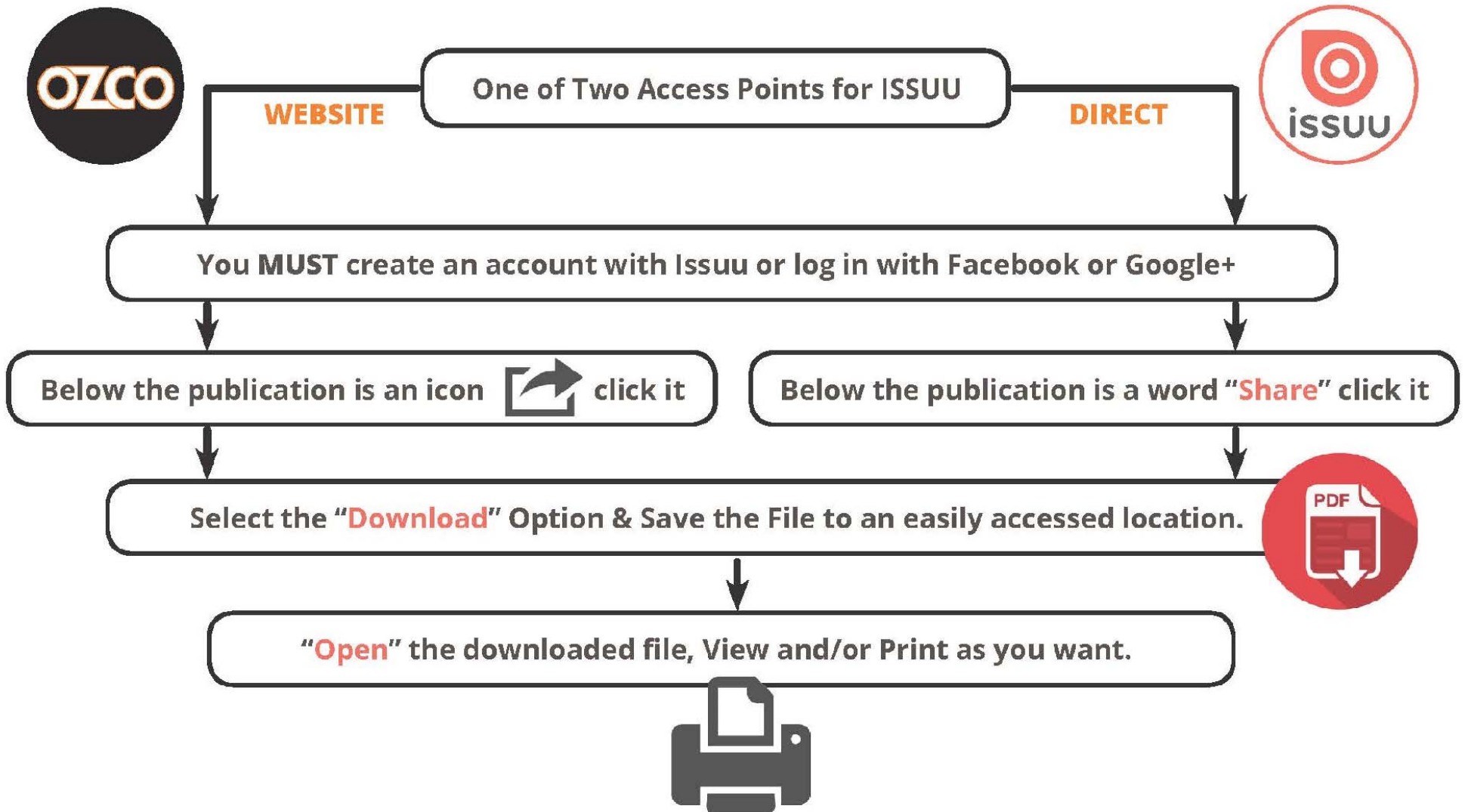
Typical Installation
Laredo Sunset shown





Printing Documents from ISSUU

Unfortunately, there is currently no way to print content directly through issuu. To print a publication, you will need to download it and print it from your computer.



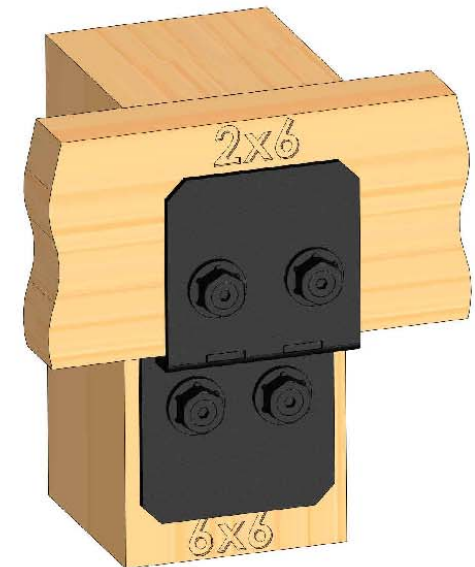
Laredo Sunset & Ironwood



Laredo Sunset
(566XX series)

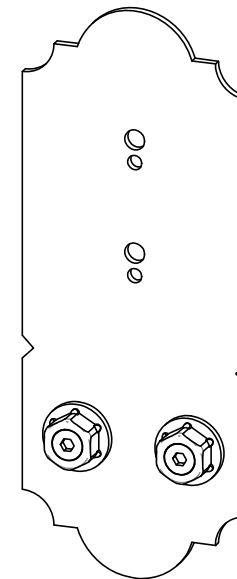
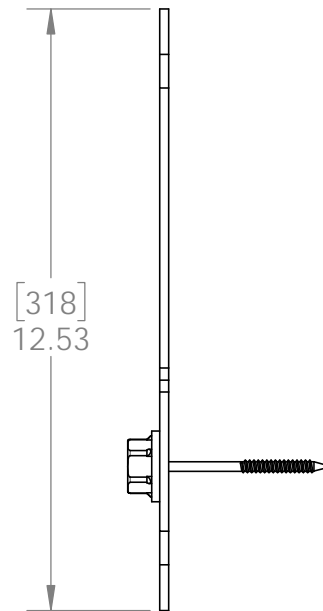
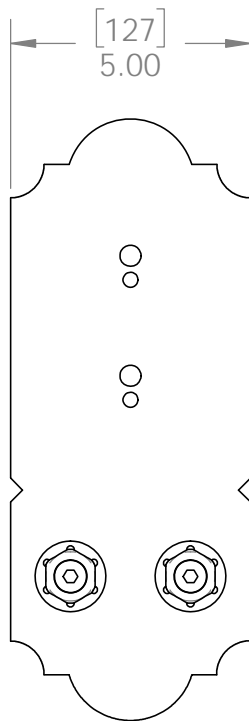
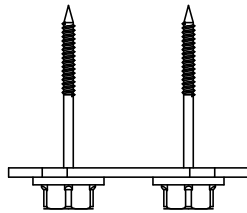
2 great styles
Same functionality
choose your
connection lifestyle

both styles available for
most products



Ironwood
(517XX series)

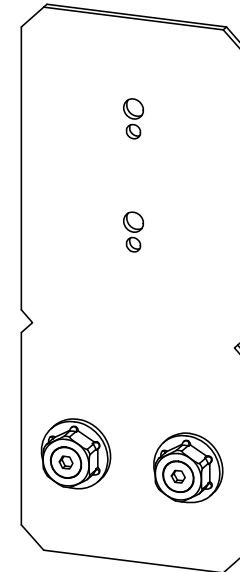
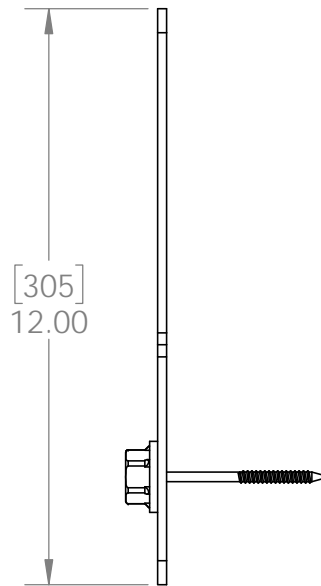
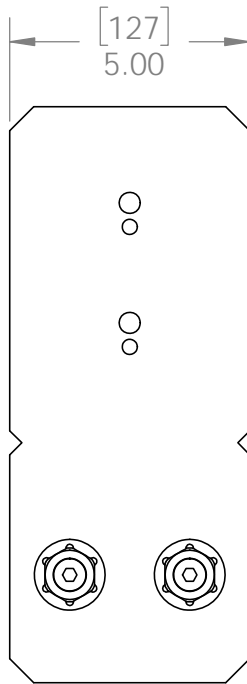
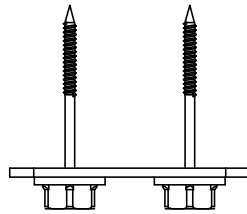




kit includes 2 assemblies

56676

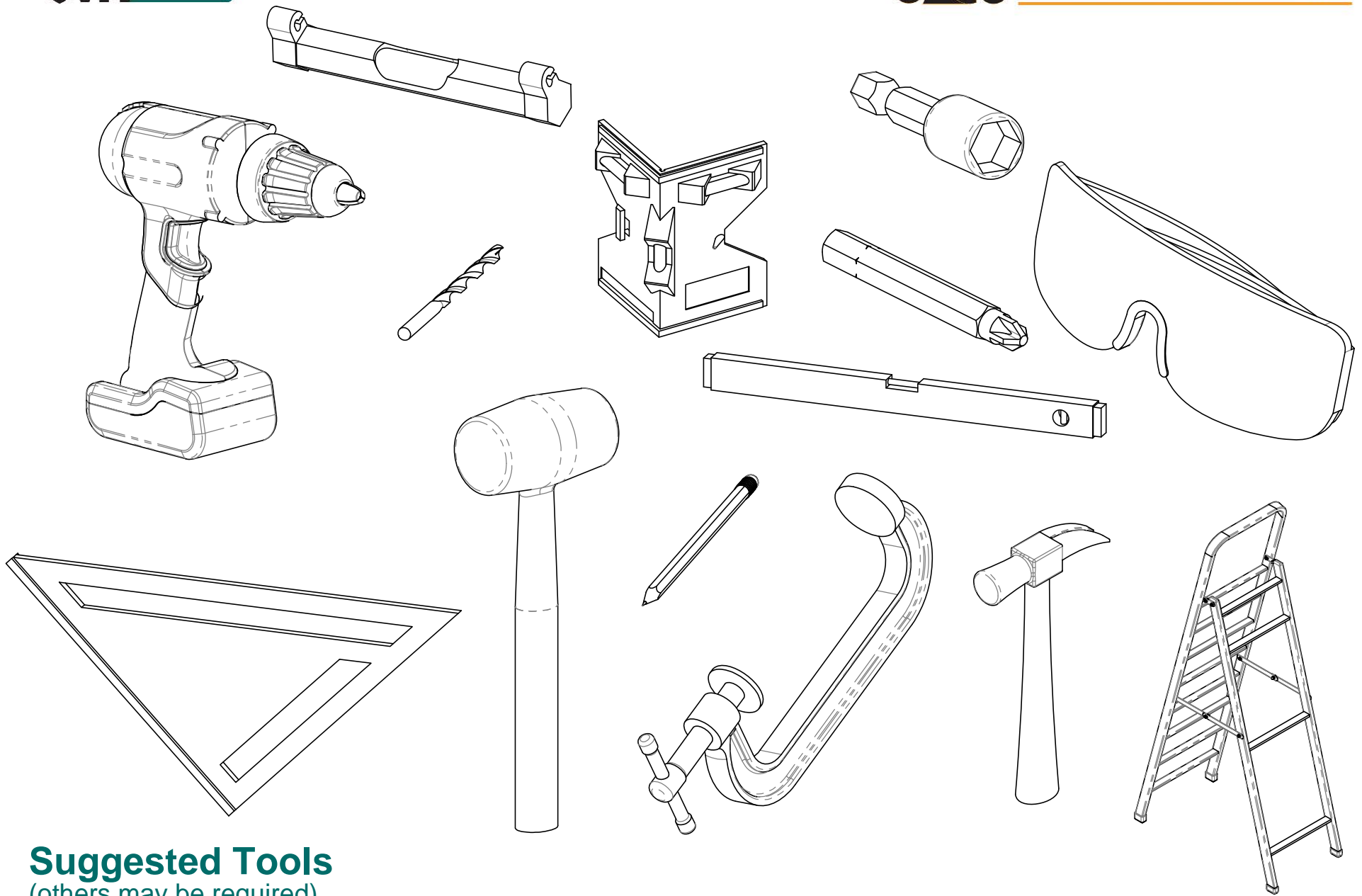
Installation Instructions, 56676



kit includes 2 assemblies

51776

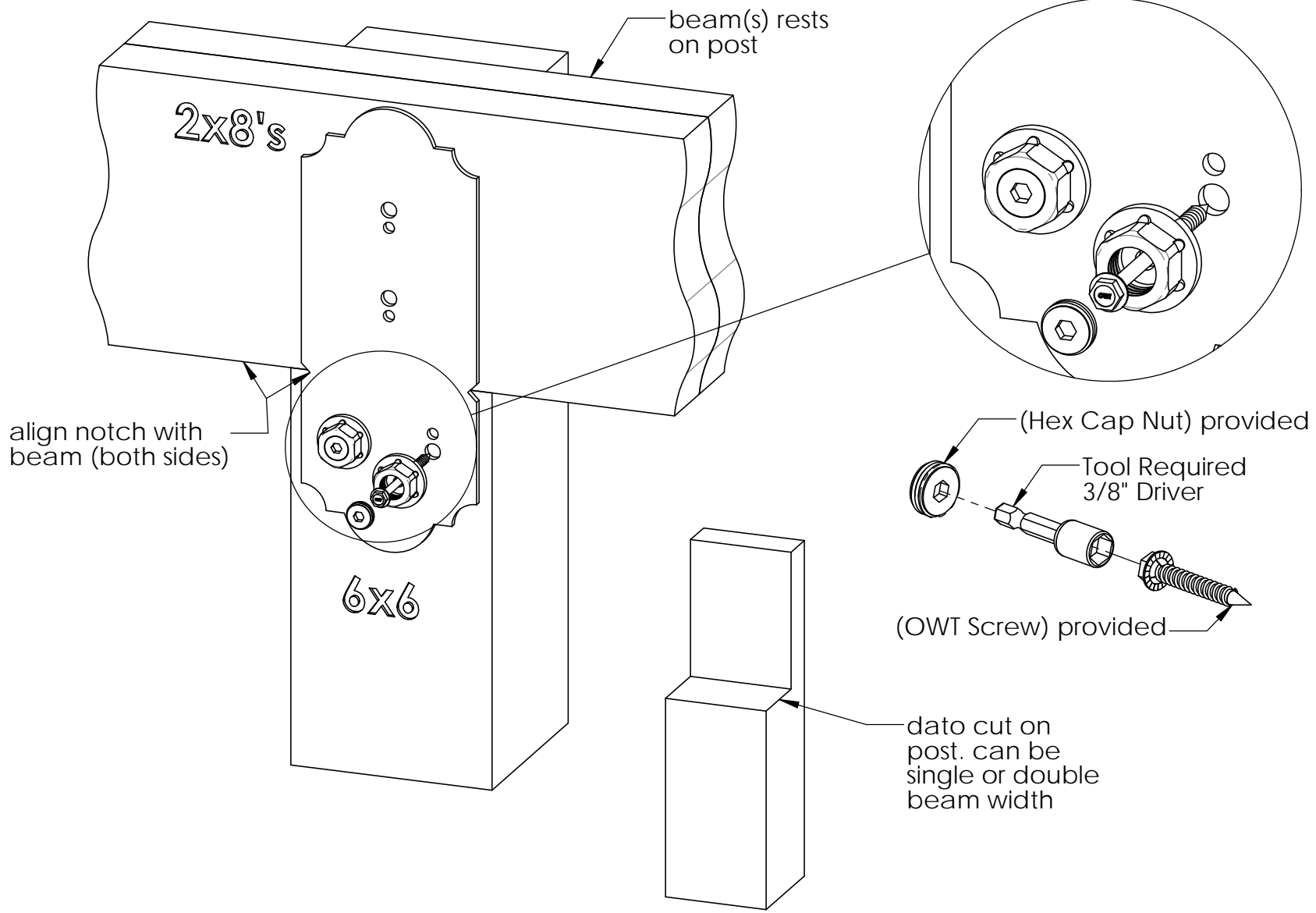
Installation Instructions, 56676



Suggested Tools

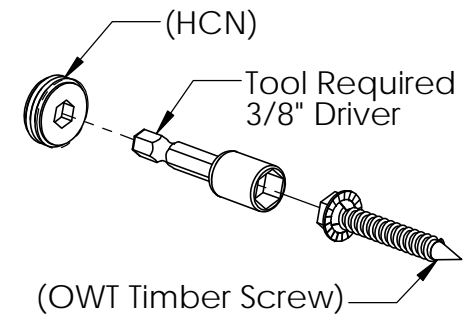
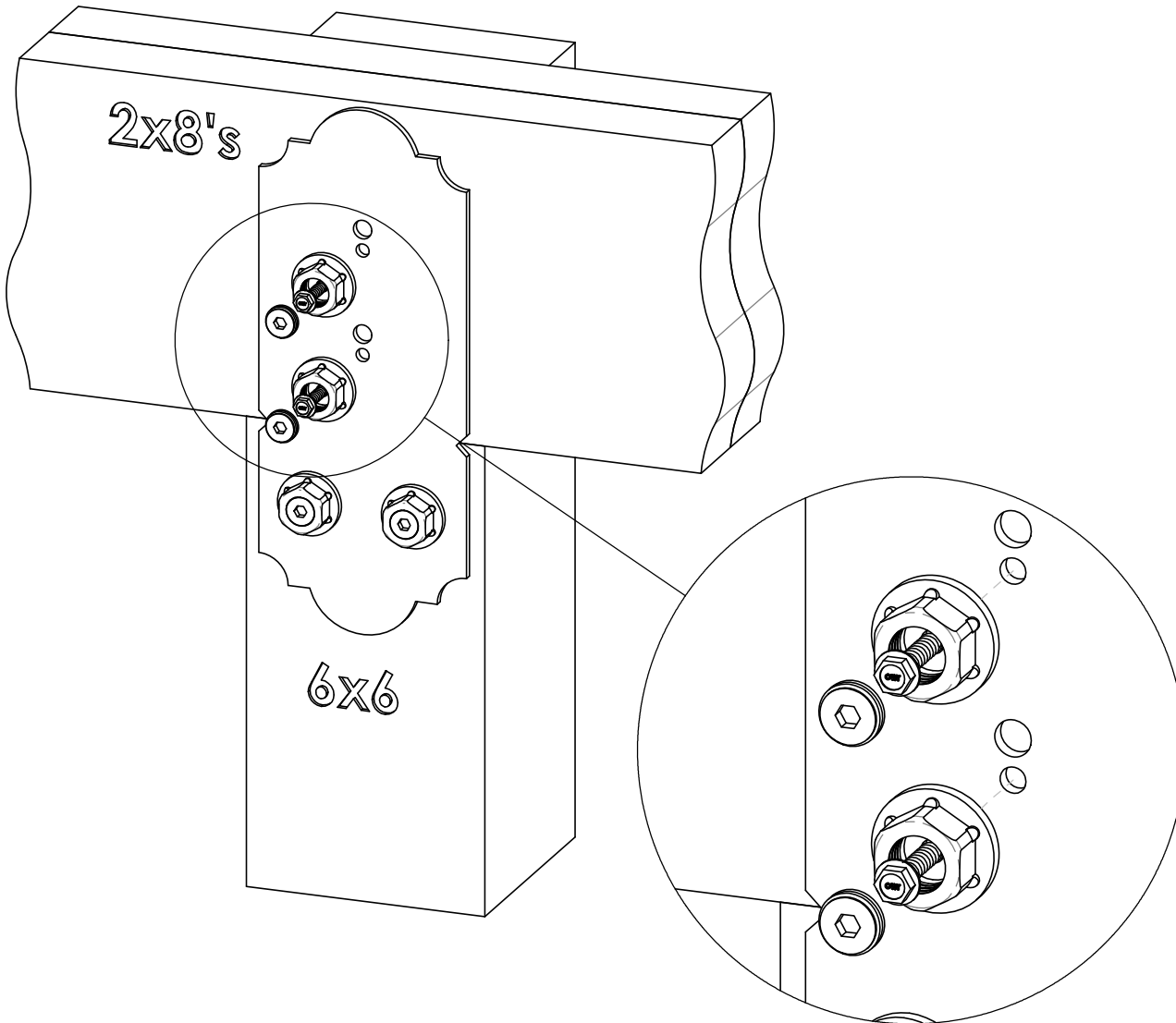
(others may be required)

Installation Instructions, 56676



step 1

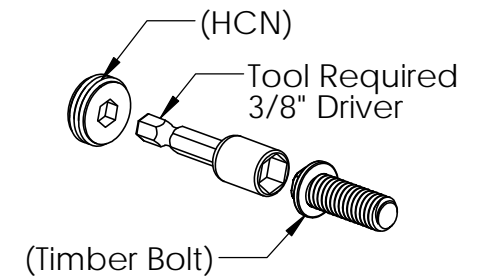
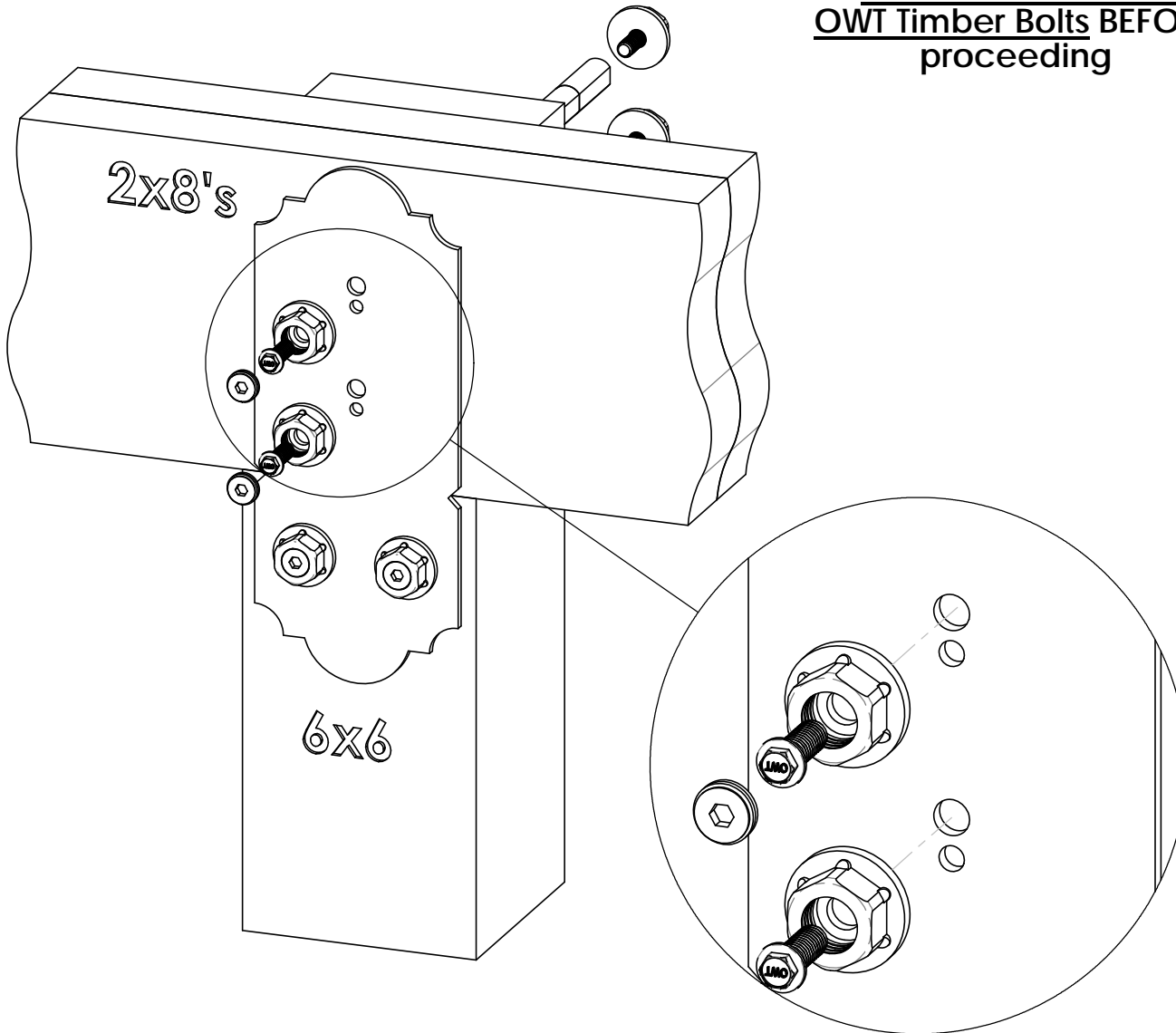
Installation Instructions, 56676



step 2 Timber Screws

Installation Instructions, 56676

see Installation Instructions,
OWT Timber Bolts BEFORE
proceeding



step 2 Timber Bolts

Installation Instructions, 56676