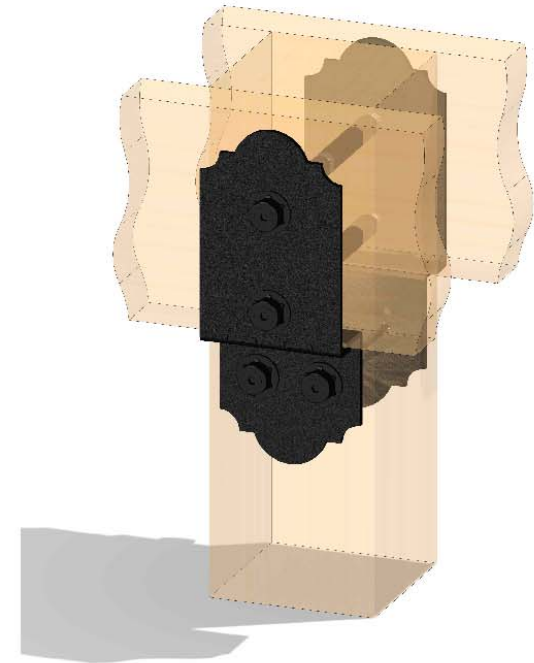
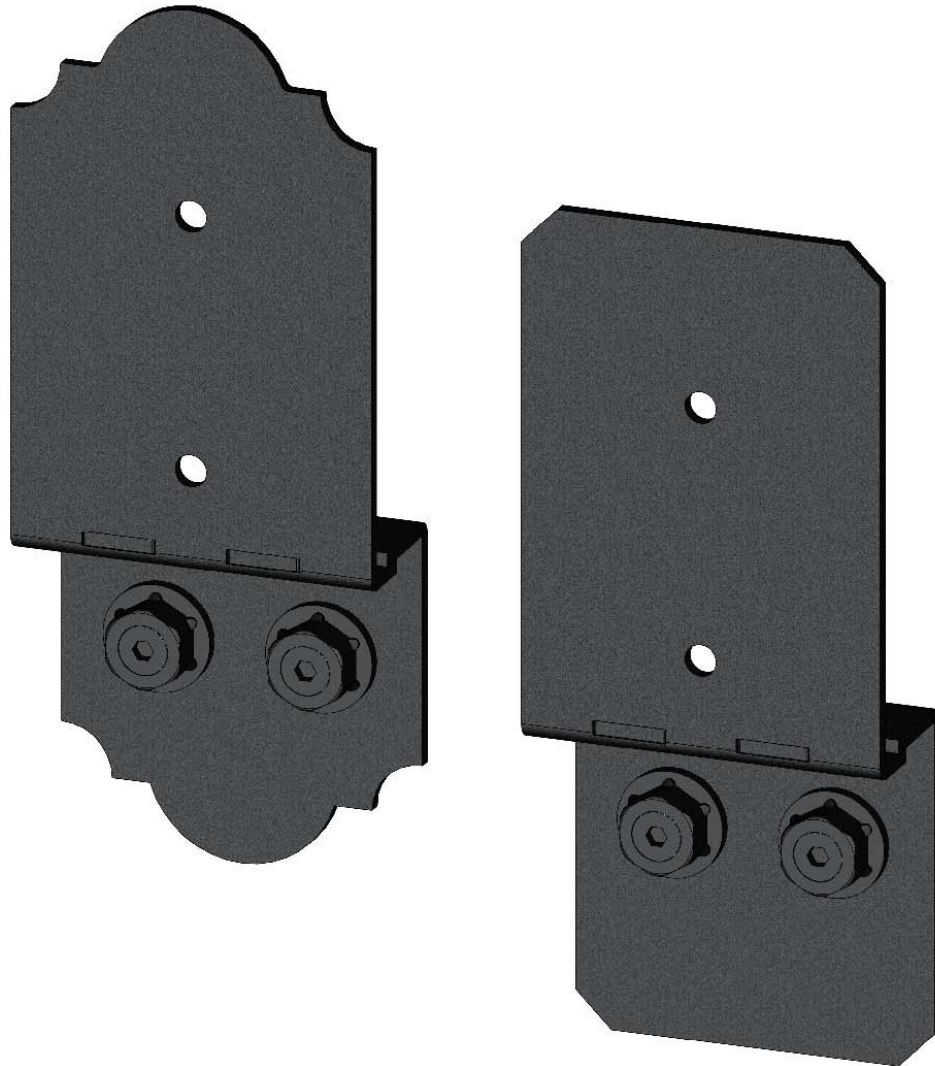


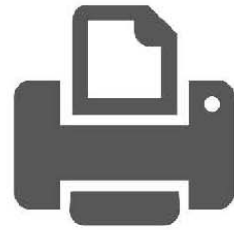
Installation Instructions, 56637 Bolt Inline (P2B-BI-LS) 51737 Bolt Inline (P2B-BI-IW)



Typical Installation with
Timber Bolts (sold separately)

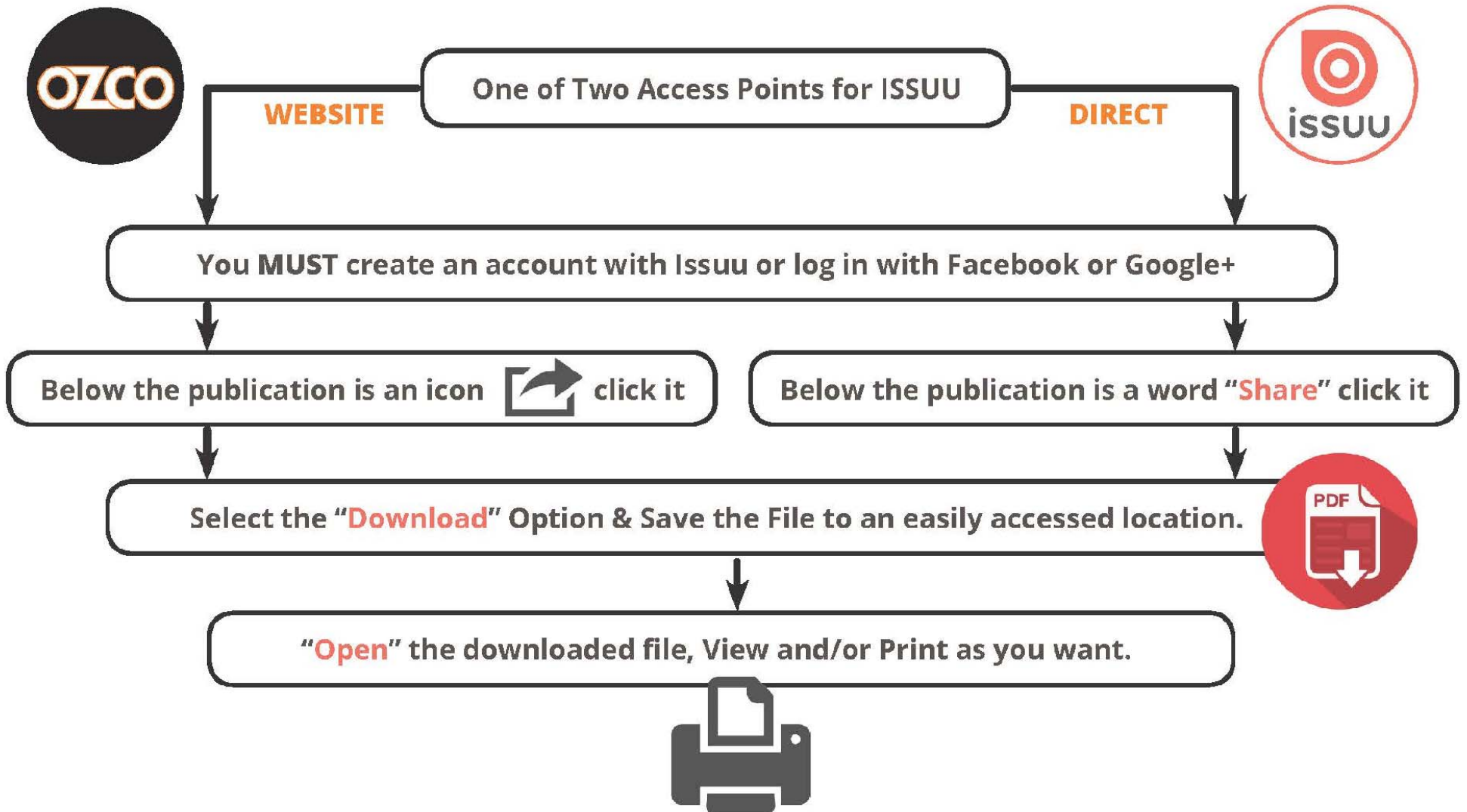
Laredo Sunset shown





Printing Documents from ISSUU

Unfortunately, there is currently no way to print content directly through issuu. To print a publication, you will need to download it and print it from your computer.



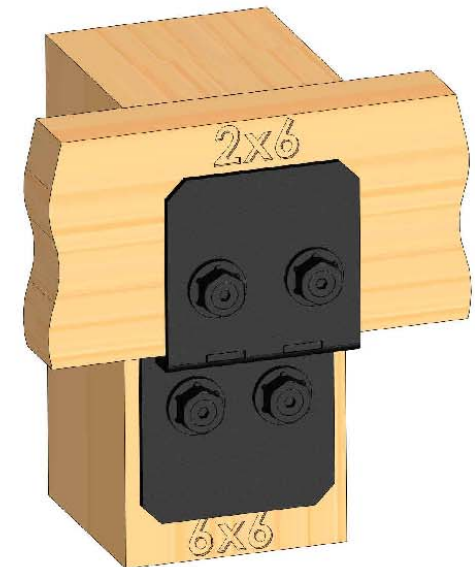
Laredo Sunset & Ironwood



Laredo Sunset
(566XX series)

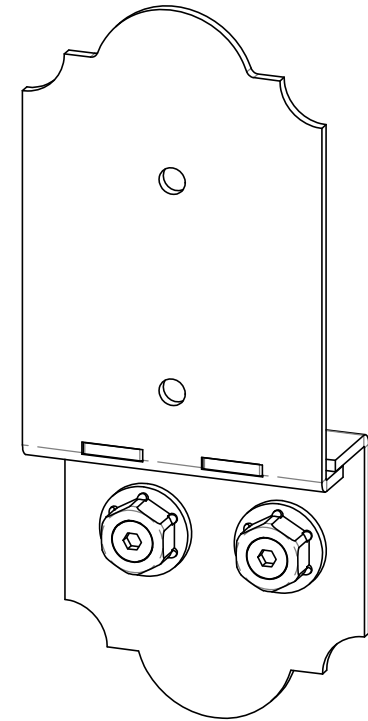
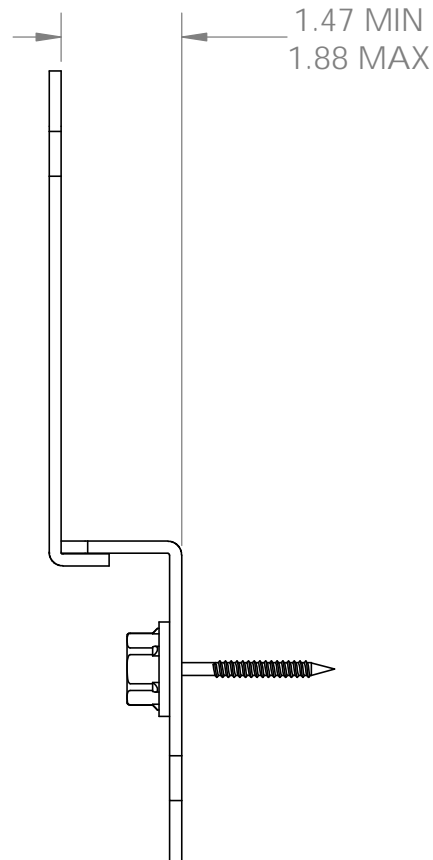
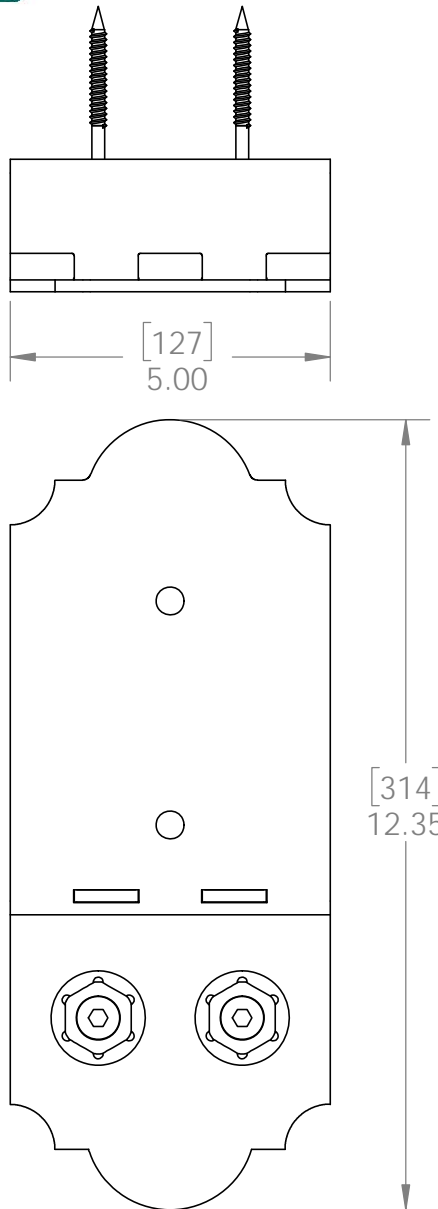
2 great styles
Same functionality
choose your
connection lifestyle

both styles available for
most products



Ironwood
(517XX series)

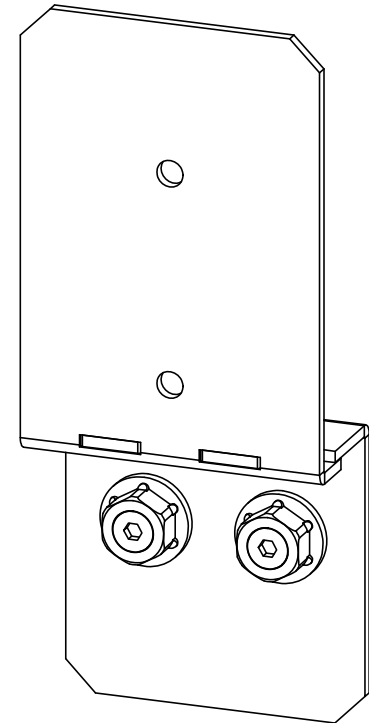
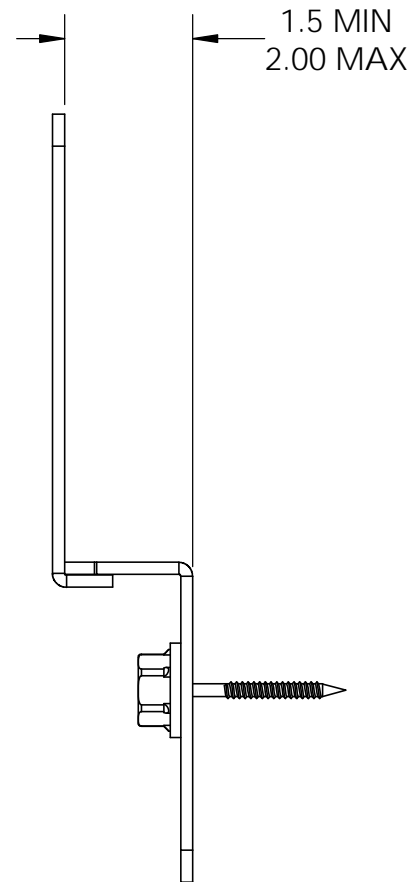
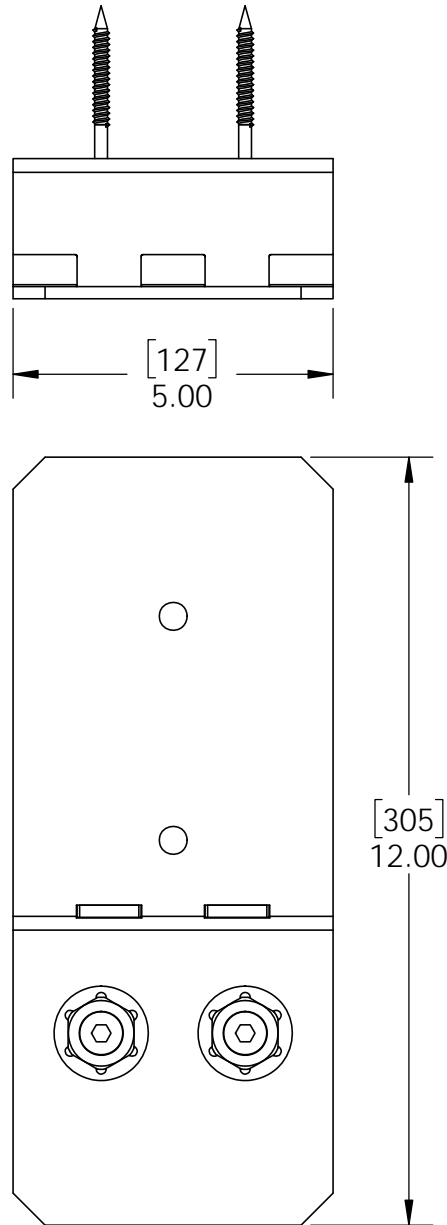




kit contains 2 assemblies

56637

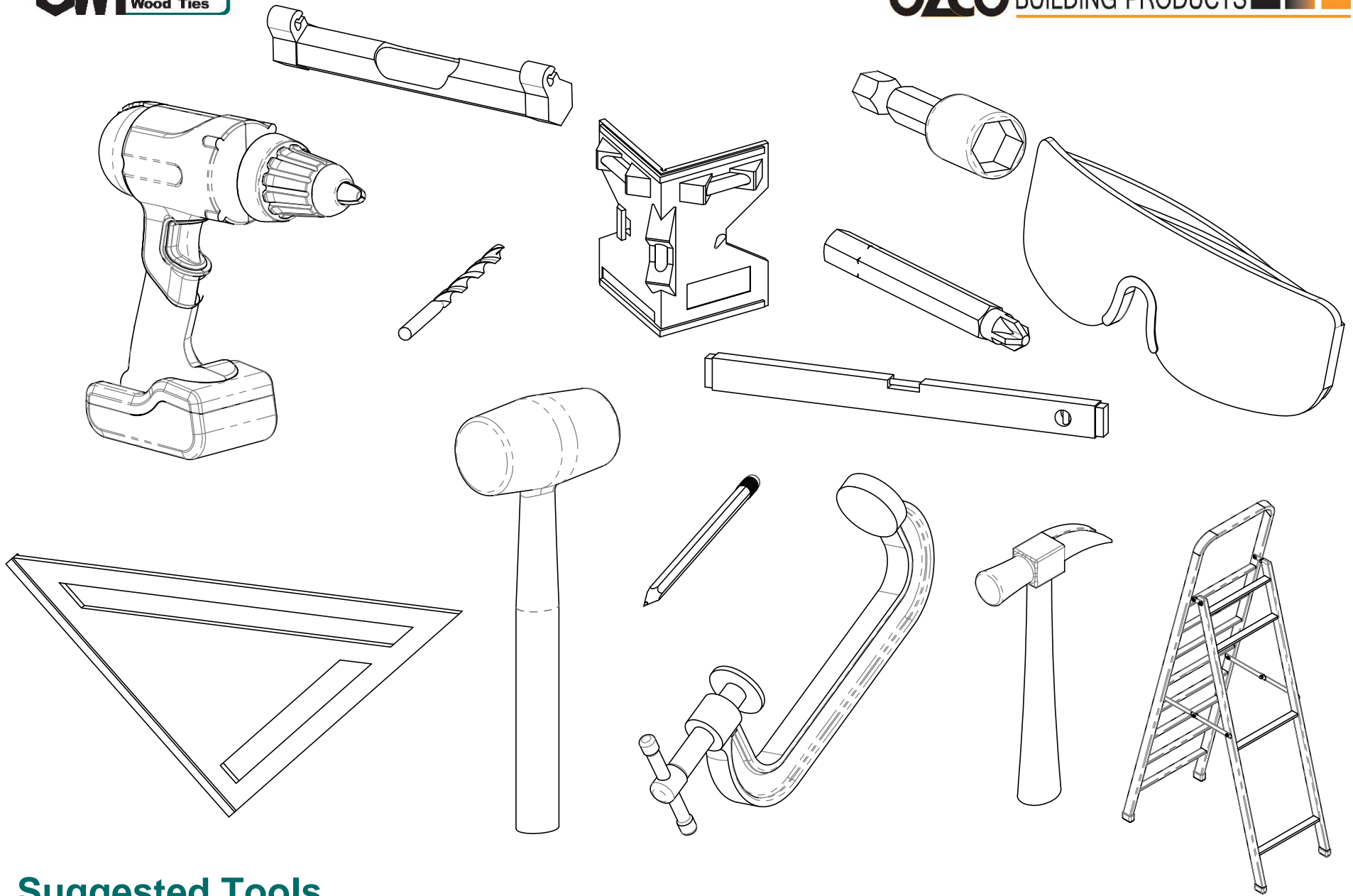
Installation Instructions, 56637



kit contains 2 assemblies

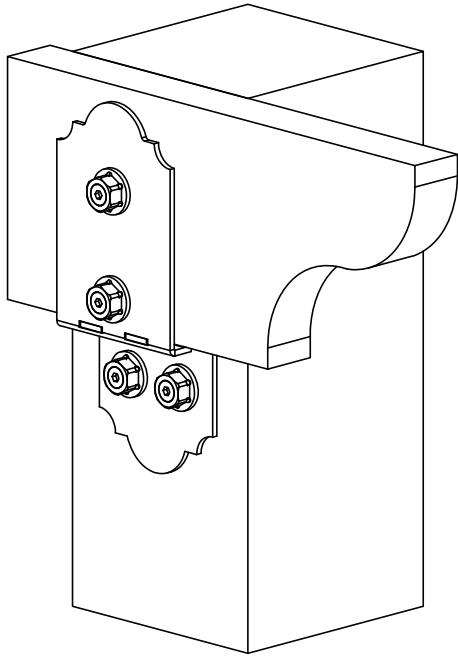
51737

Installation Instructions, 56637

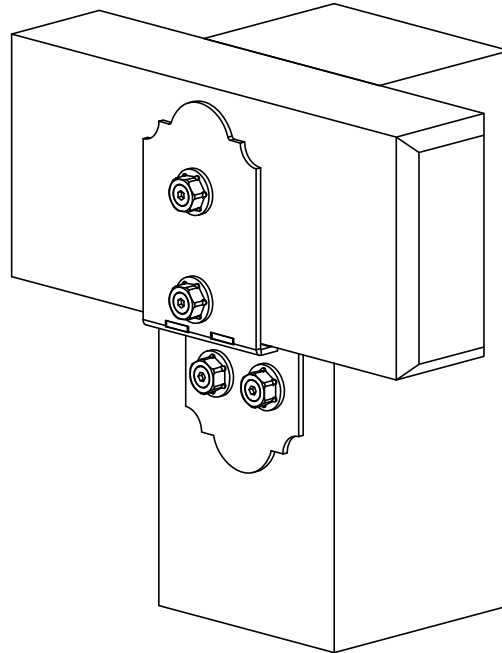


Suggested Tools
(others may be required)

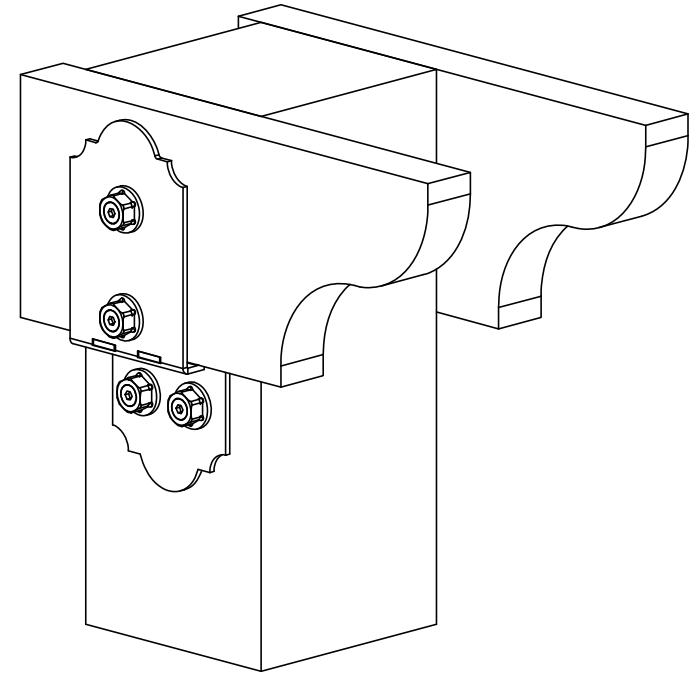
Installation Instructions, 56637



One 2x8 Beam



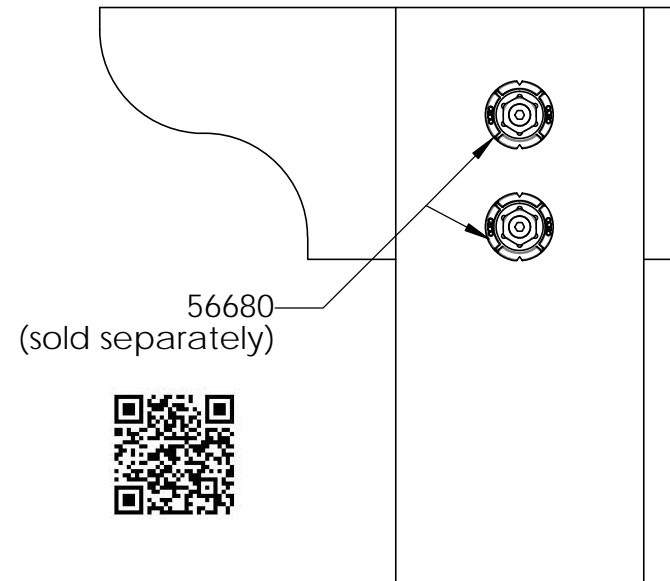
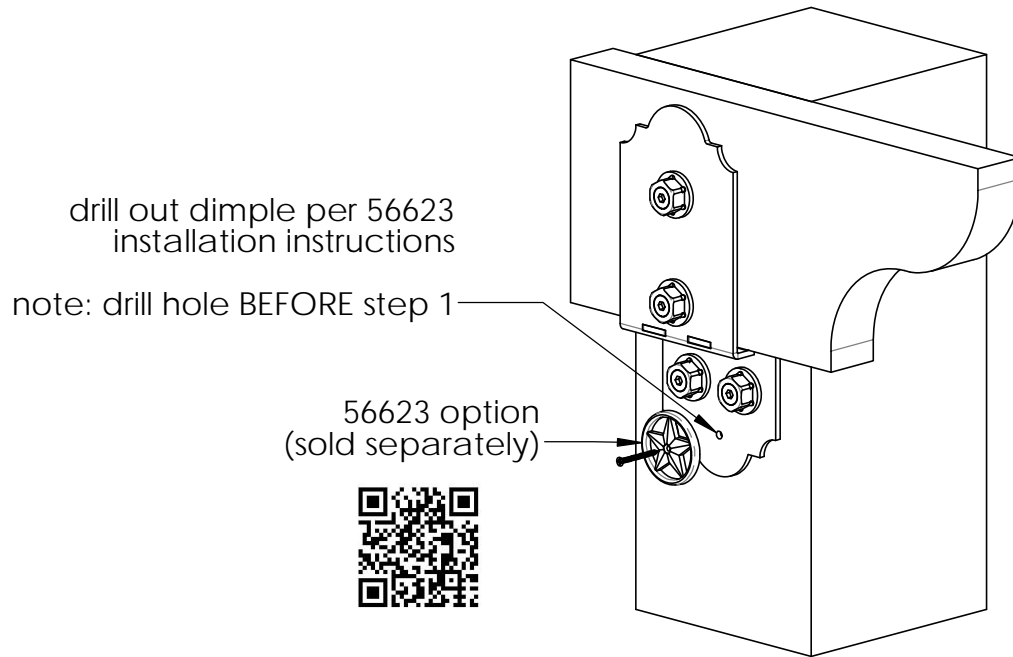
One 4x8 Beam
(requires dato cut to post)



Two 2x8 Beams

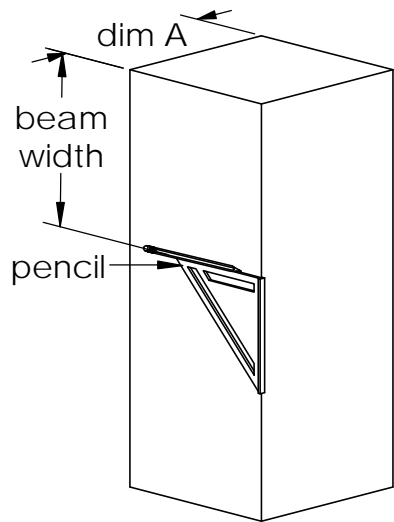
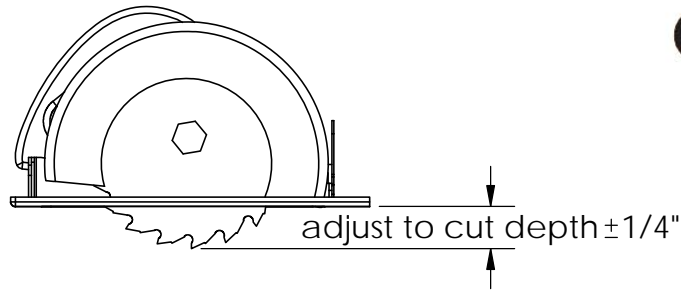
installation options

Installation Instructions, 56637

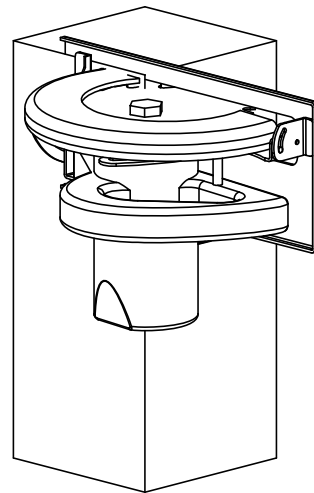


optional accessories

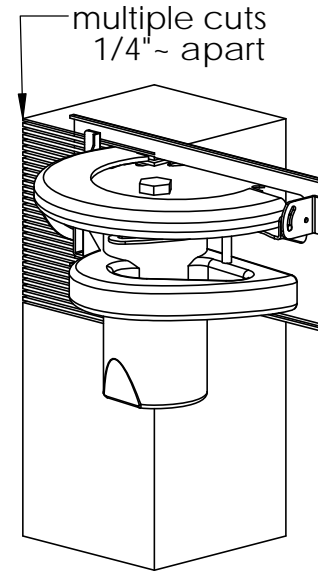
Installation Instructions, 56637



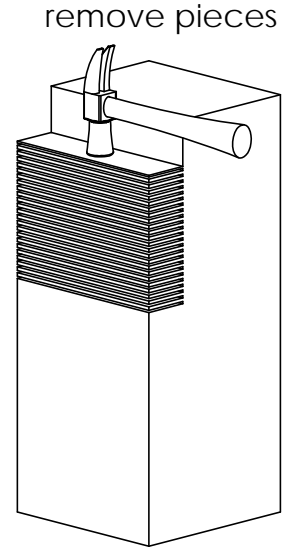
A



B



C

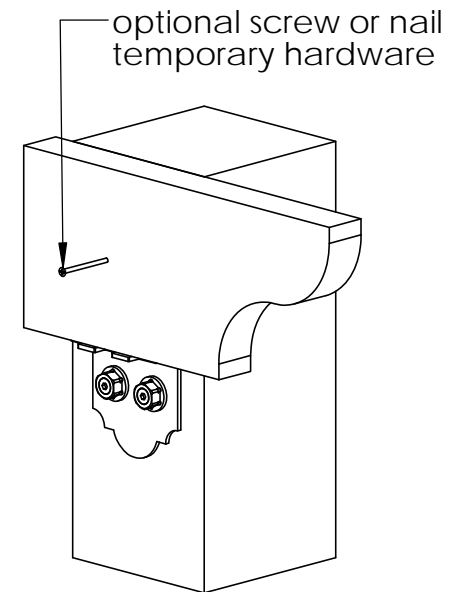
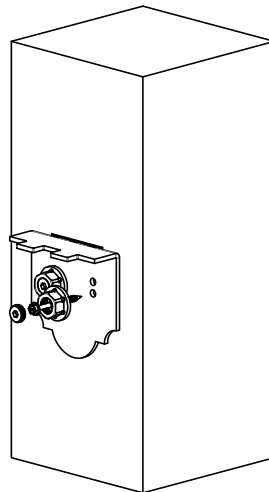
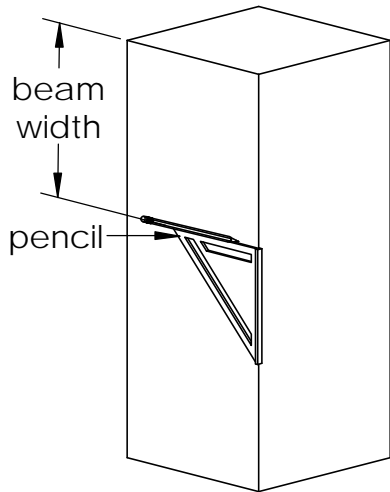
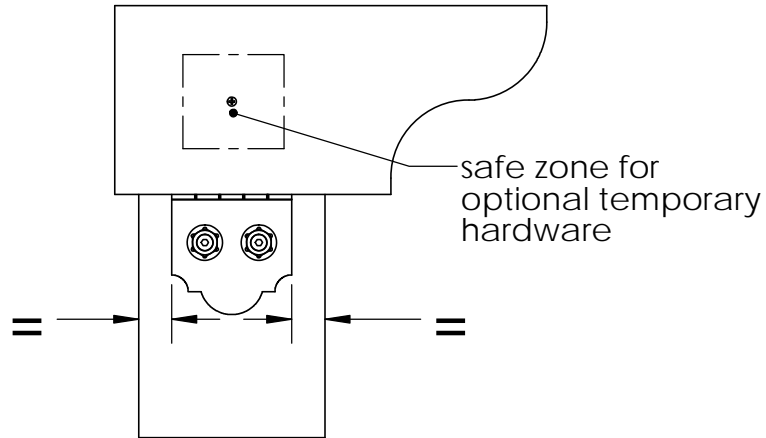
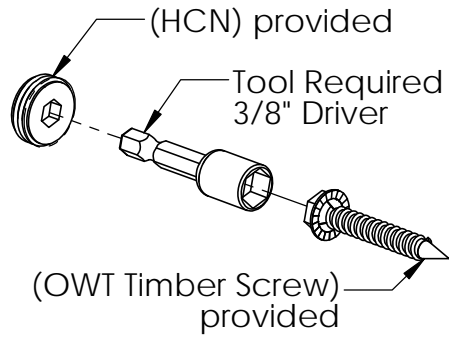


D

dim A	ledge	cut depth
	1.75	dim A-ledge=

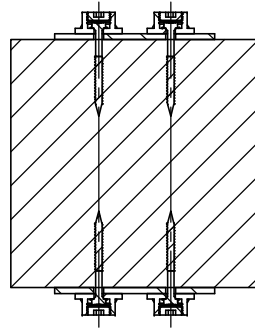
4x8 only

Installation Instructions, 56637



step 1

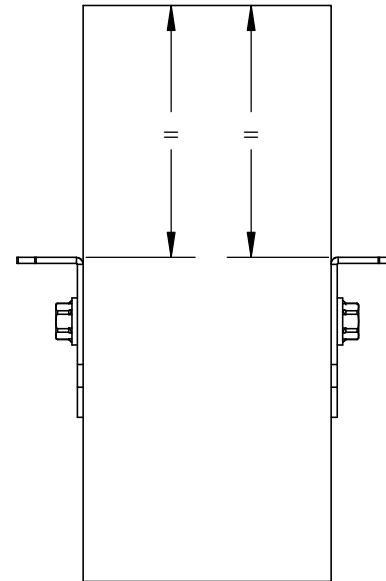
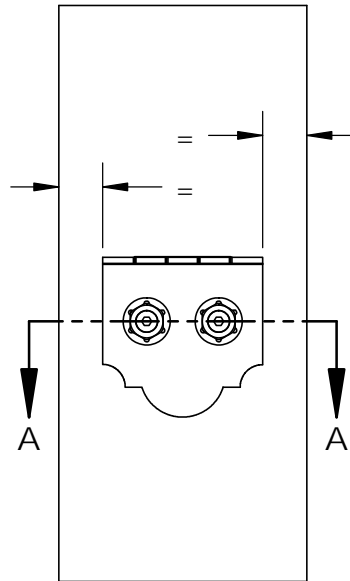
Installation Instructions, 56637



SECTION A-A
SCALE 1 : 6

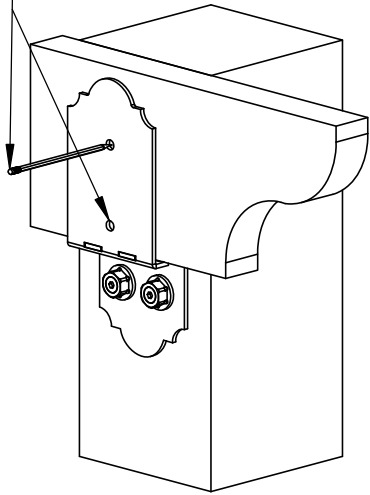
2 Beam Installation

Ledges MUST be aligned with one another to ensure remaining installation is easier

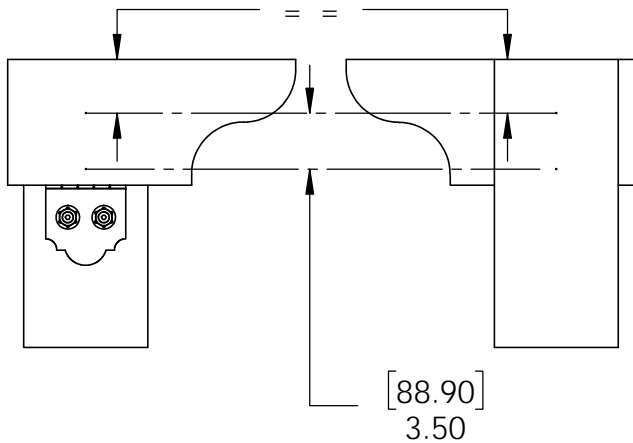


step 1 supplement

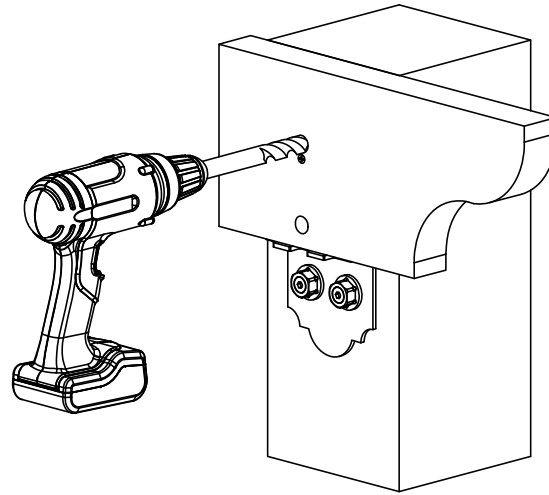
temporarily install plate and mark center of holes, then mark opposite side. use a ruler to ensure both sides are the same



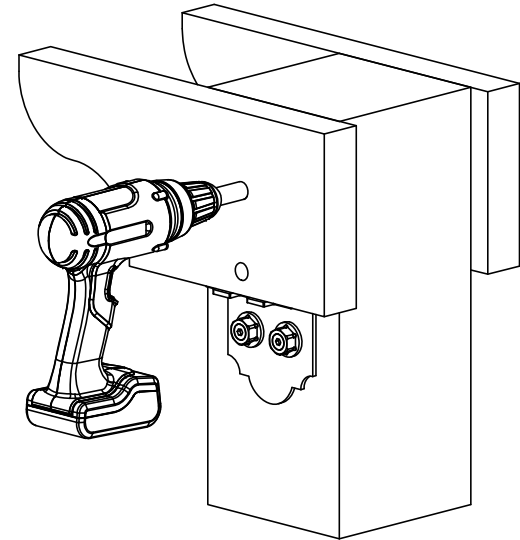
pencil marks



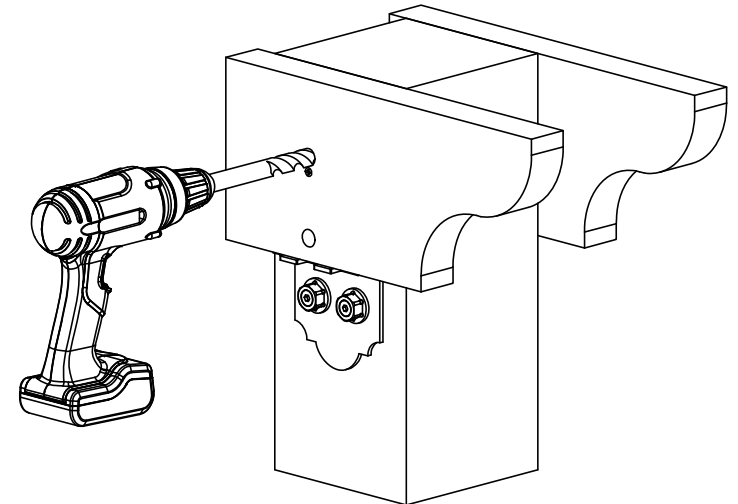
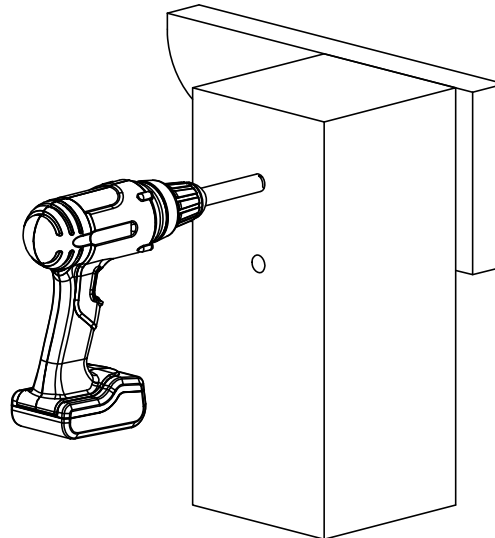
Prevent Unsightly Breakouts
 drill most of the way from one side DO NOT breakout then repeat from opposite side



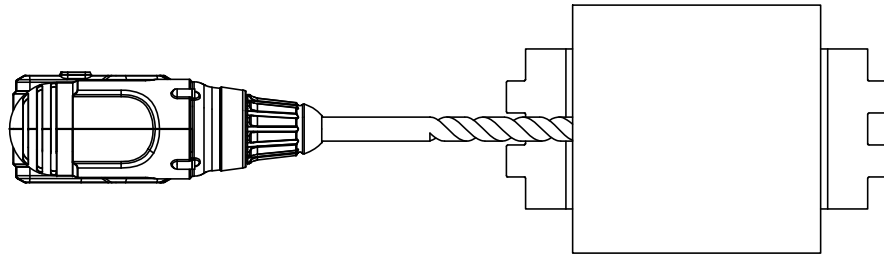
1 beam installation



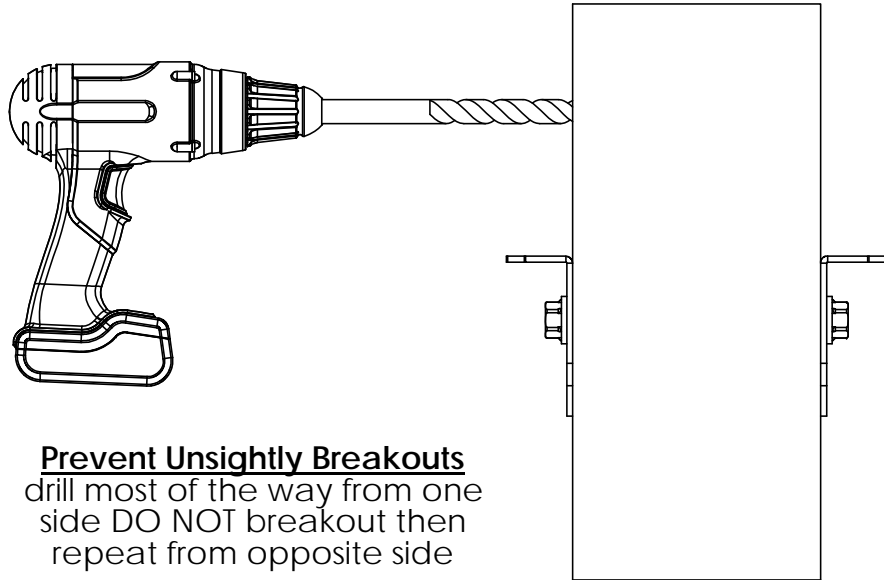
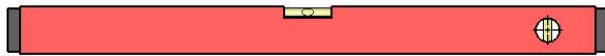
2 beam installation
 (see Step 2 Supplement)



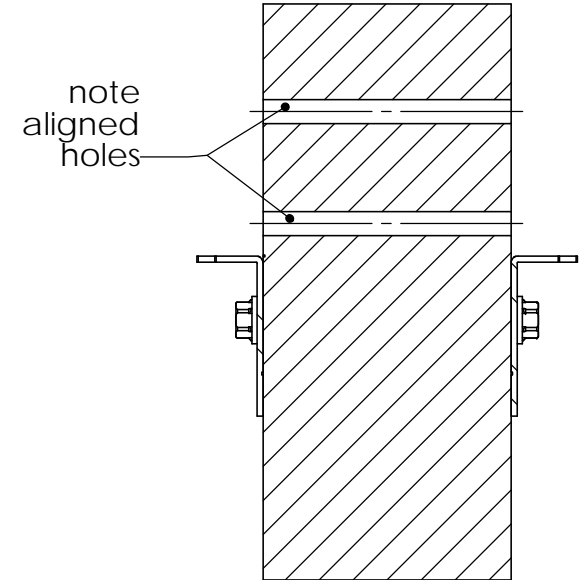
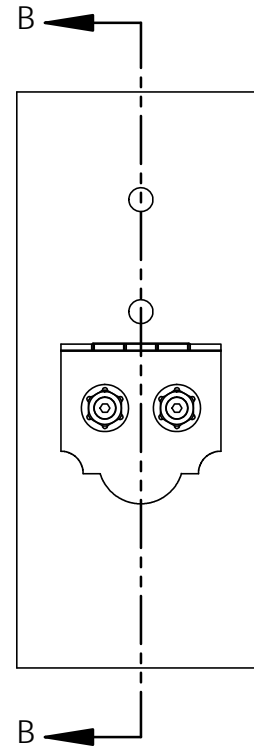
step 2



2 Beam Installation shown
 Drill holes as level as possible to ensure straight path to align with hole from opposite side



Prevent Unsightly Breakouts
 drill most of the way from one side DO NOT breakout then repeat from opposite side



SECTION B-B
 SCALE 1 : 6

step 2 supplement

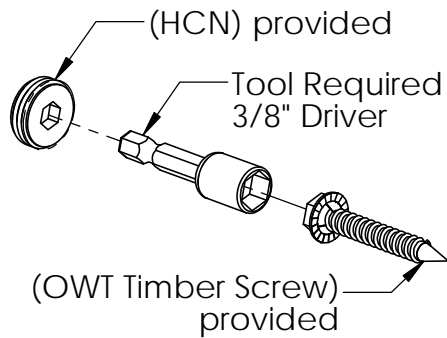
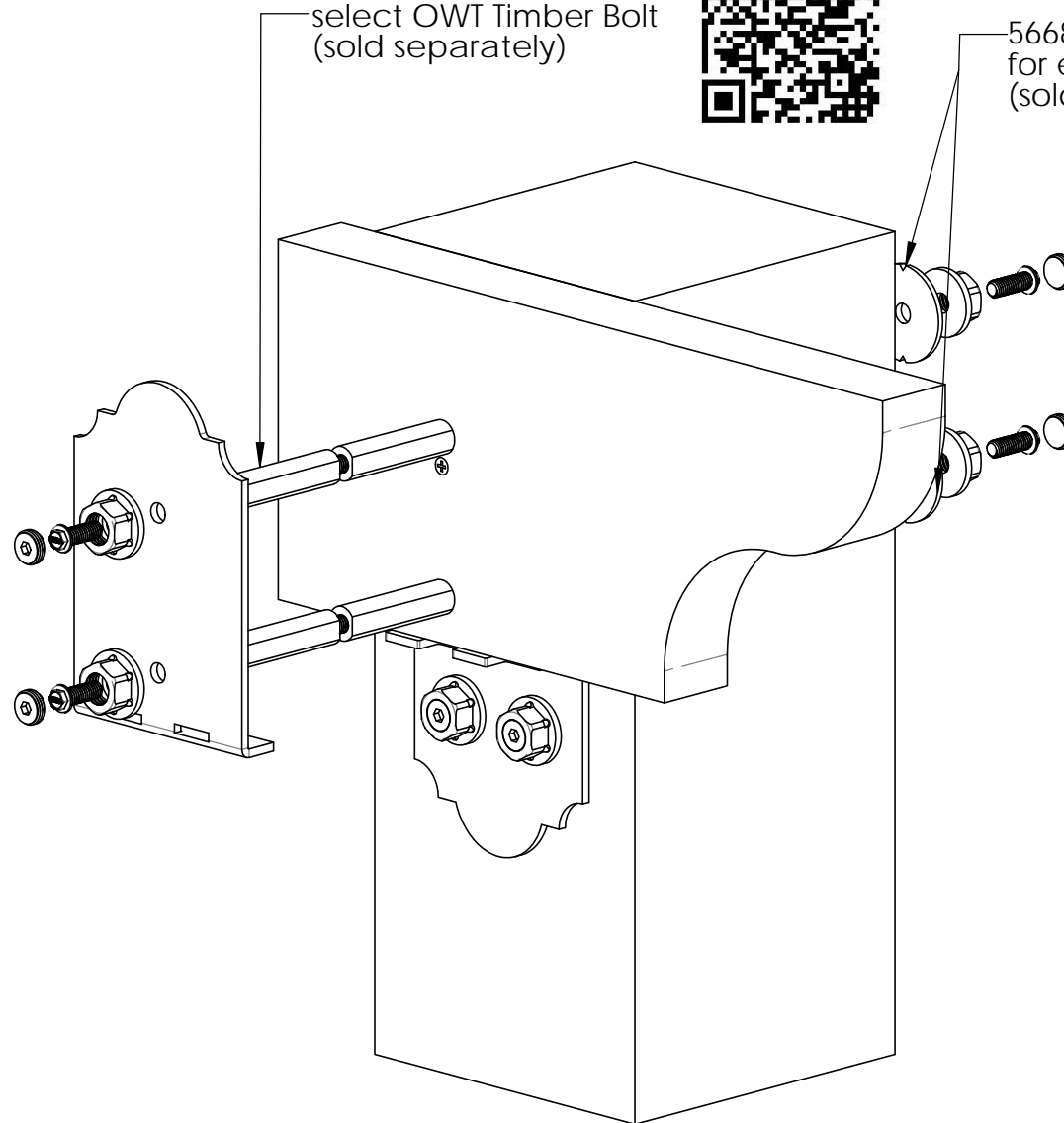
same process for all



56680 Heavy Duty Washer for extra holding power (sold separately)



select OWT Timber Bolt (sold separately)



step 3

Installation Instructions, 56637