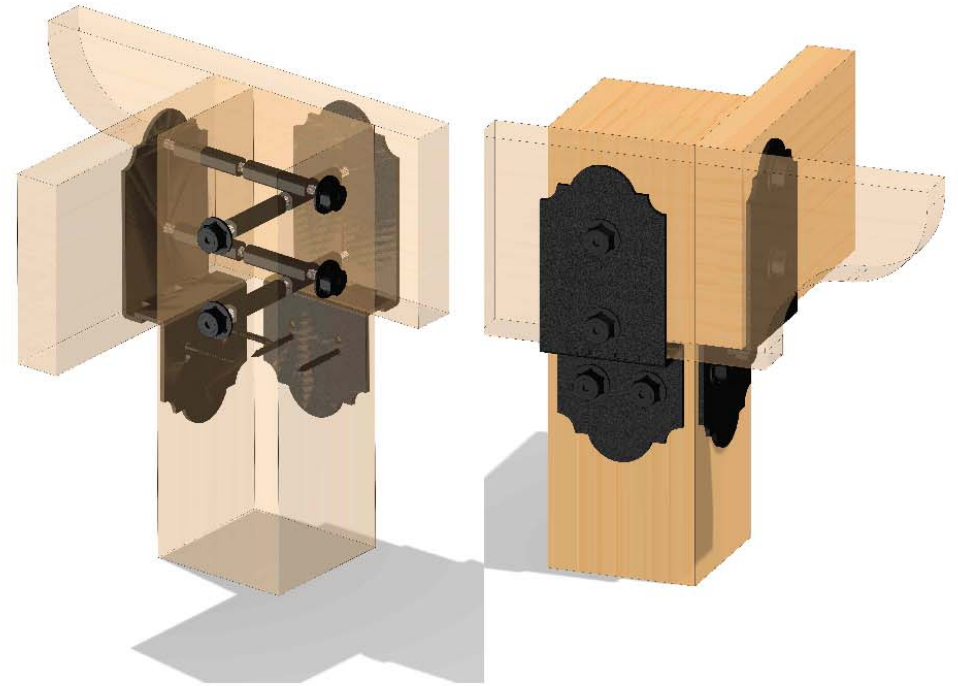


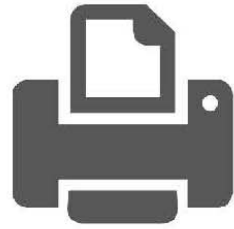


Installation Instructions,
 56636 Bolt Offset (P2B-BO-LS)
 51736 Bolt Offset (P2B-BO-IW)



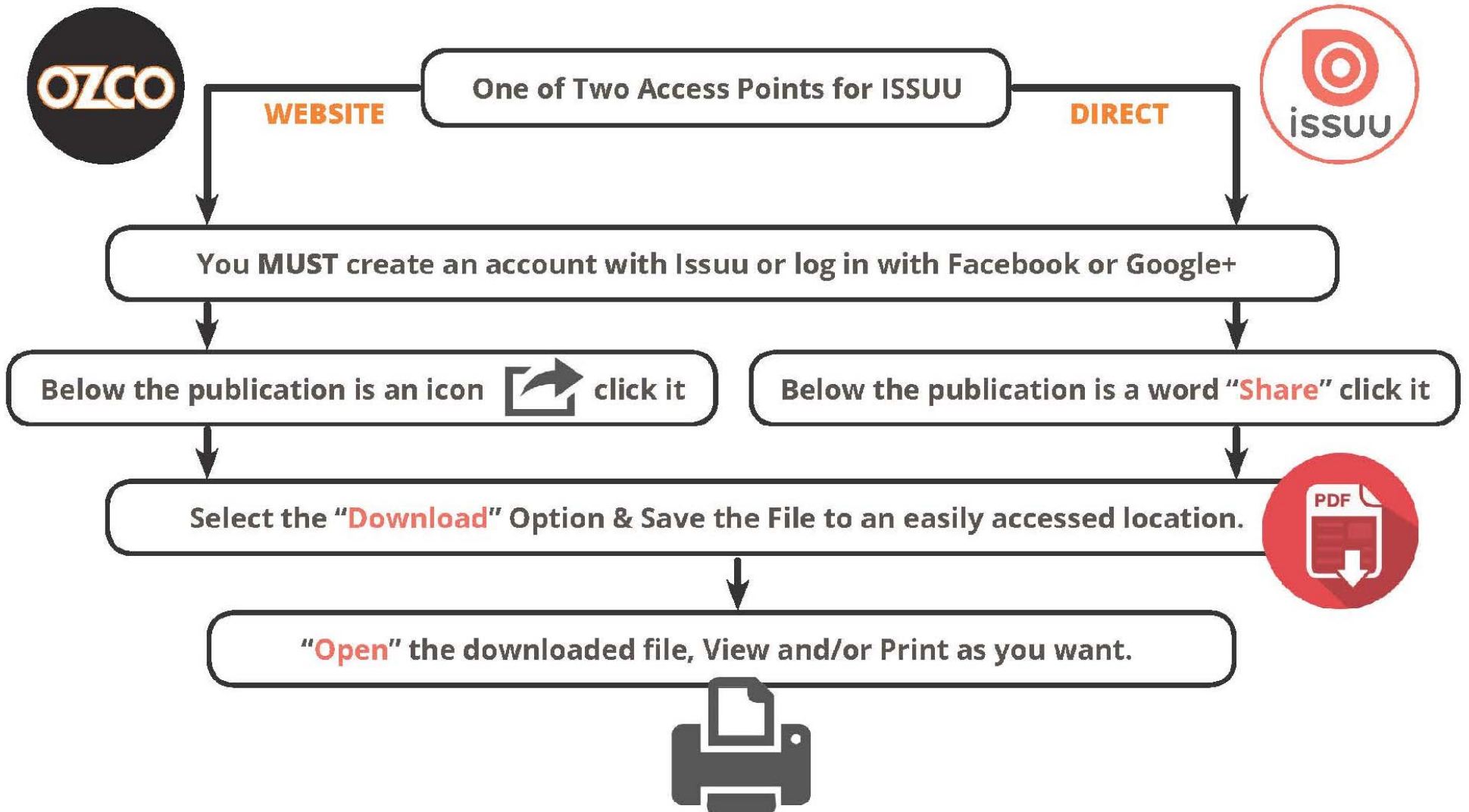
Typical Installation with
 Timber Bolts (sold separately)
 Laredo Sunset shown





Printing Documents from ISSUU

Unfortunately, there is currently no way to print content directly through issuu. To print a publication, you will need to download it and print it from your computer.



Laredo Sunset & Ironwood

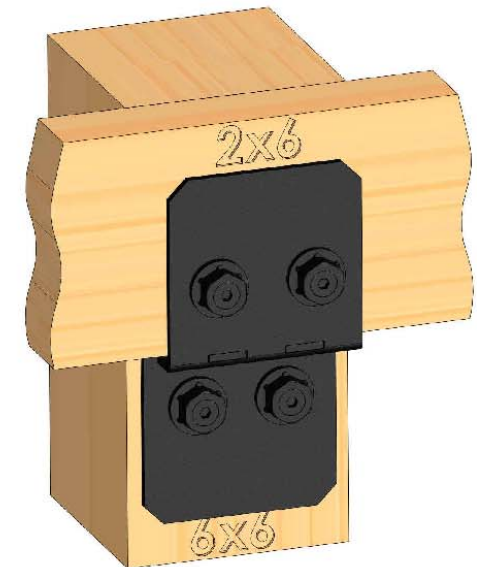


Laredo Sunset
(566XX series)

2 great styles
Same functionality

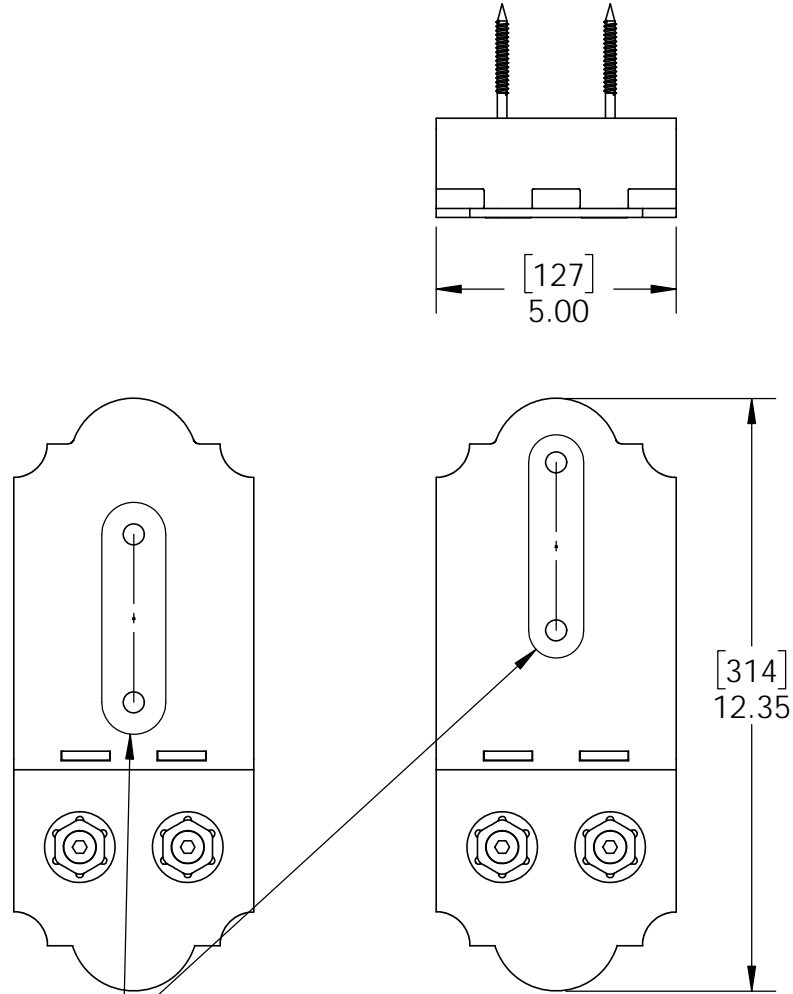
choose your
connection lifestyle

both styles available for
most products

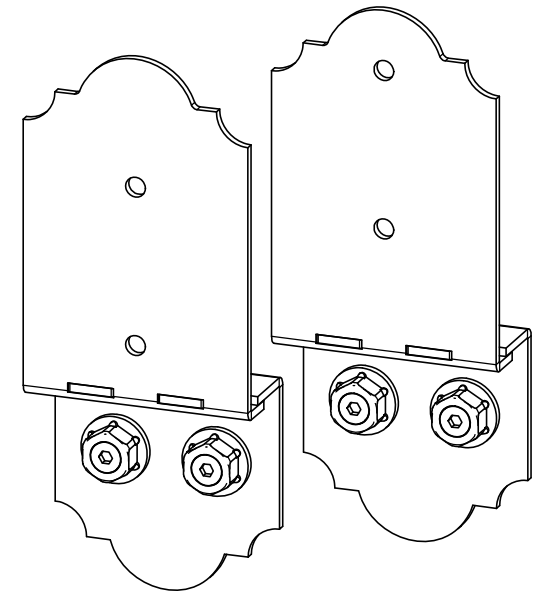
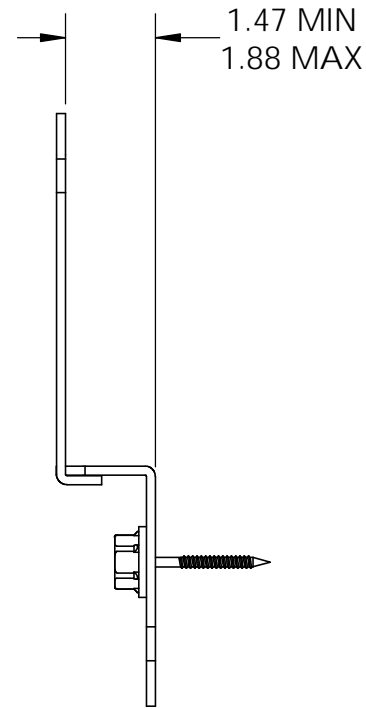


Ironwood
(517XX series)





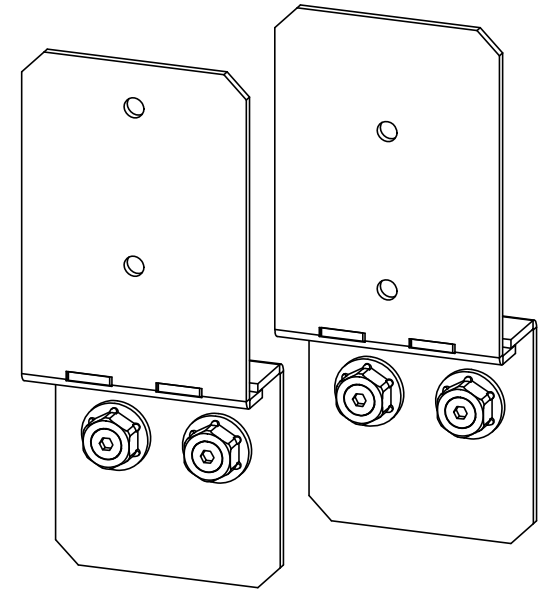
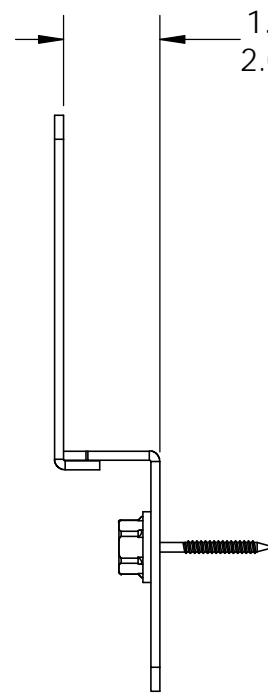
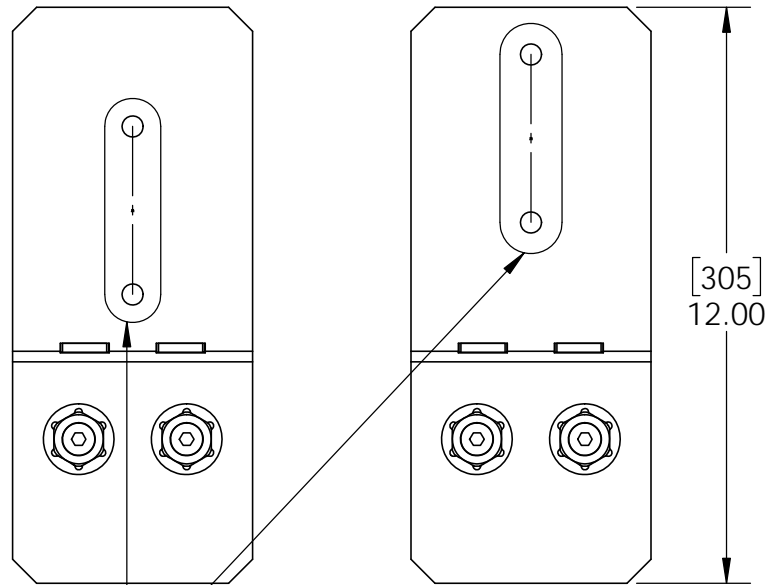
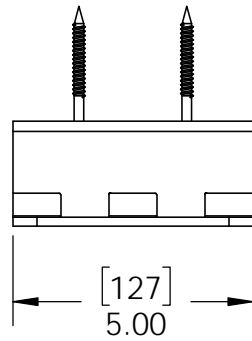
note hole location
difference
between 2
included plates



kit contains 2 assemblies (shown)

56636

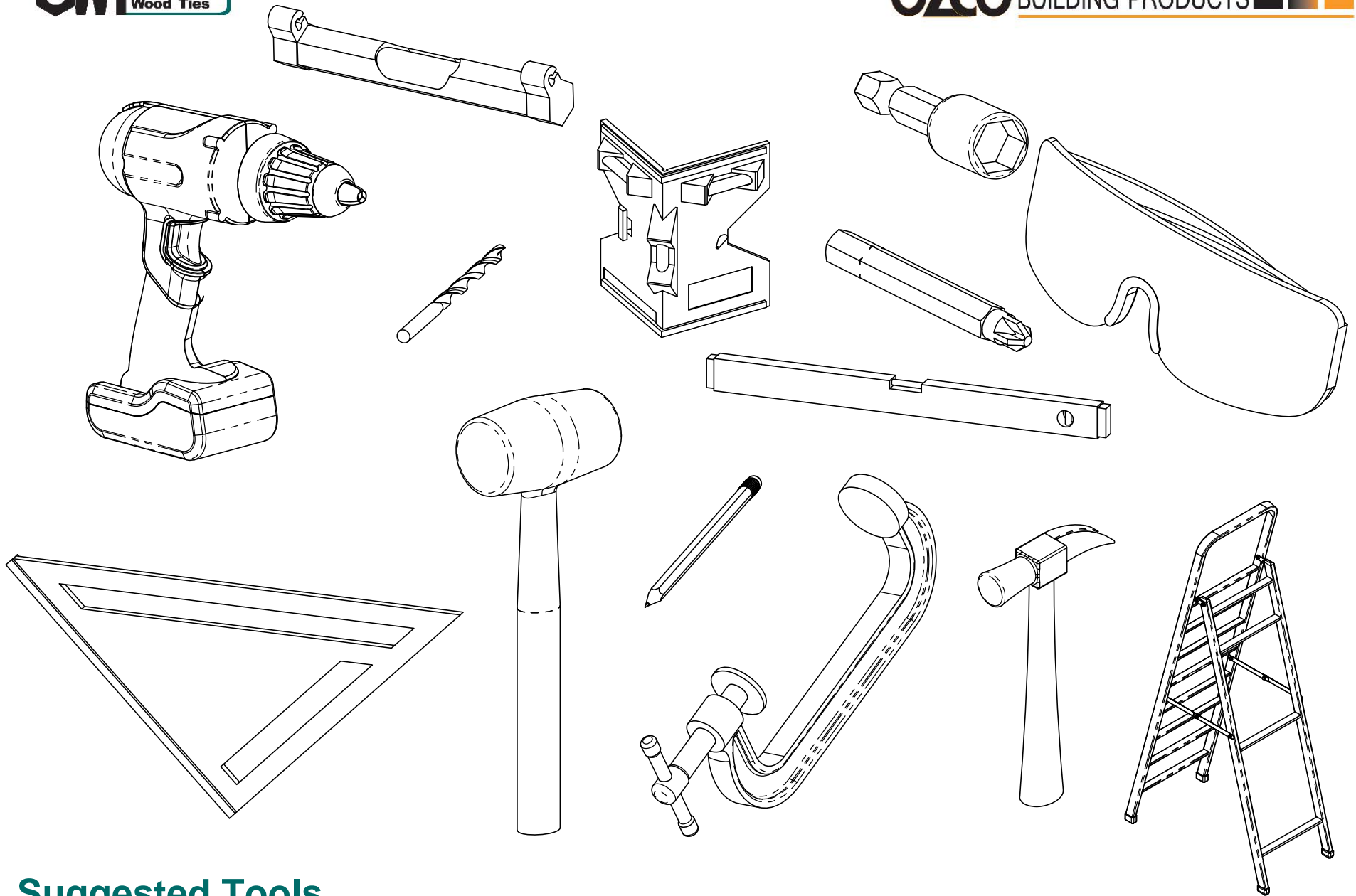
Installation Instructions, 56636



kit contains 2 assemblies (shown)

51736

Installation Instructions, 56636

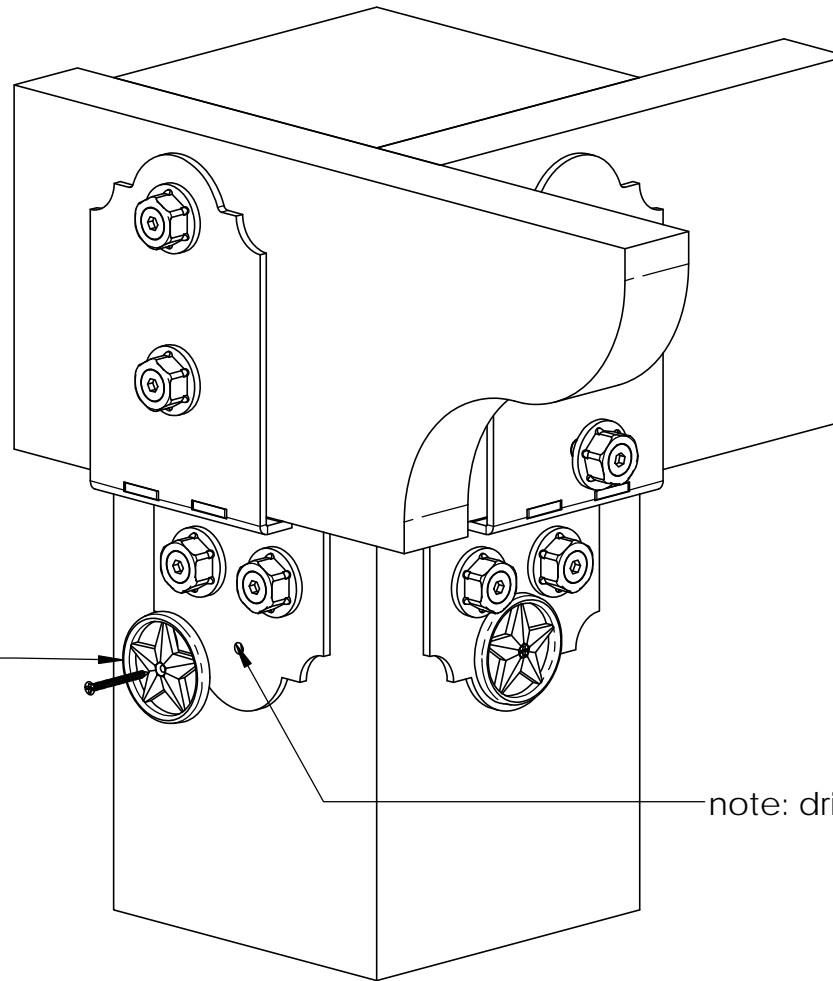


Suggested Tools (others may be required)

Installation Instructions, 56636



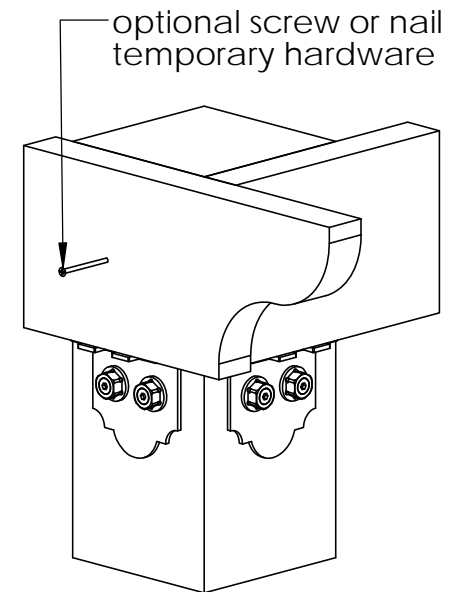
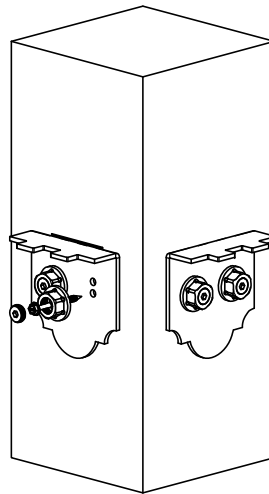
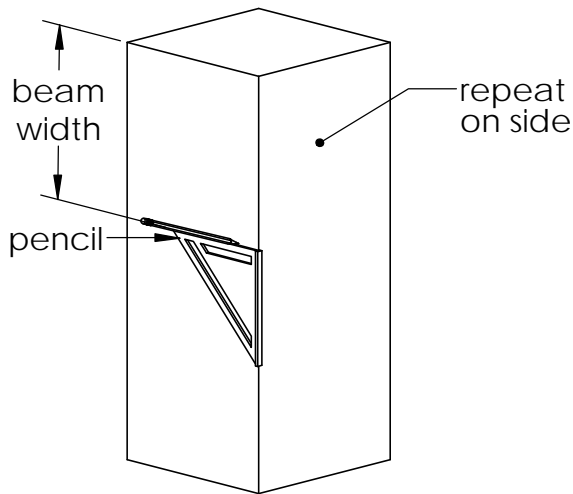
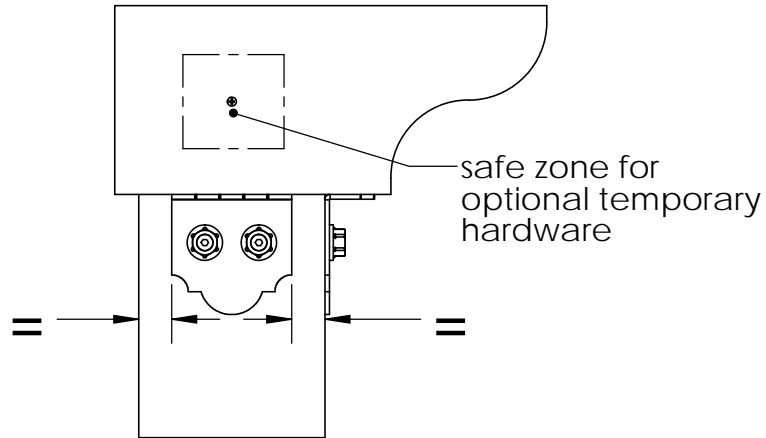
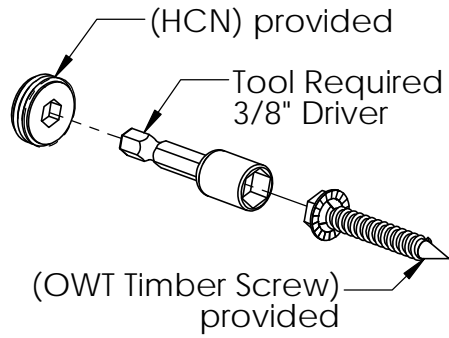
56623 option
(sold separately)



note: drill hole BEFORE step 1

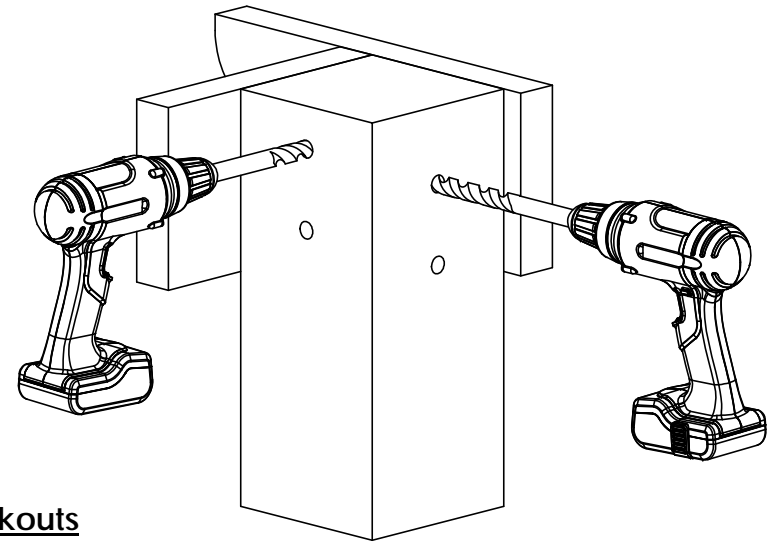
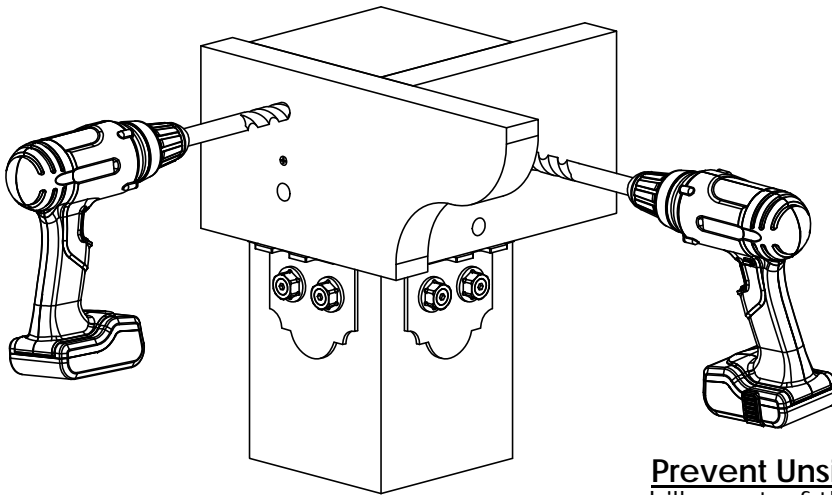
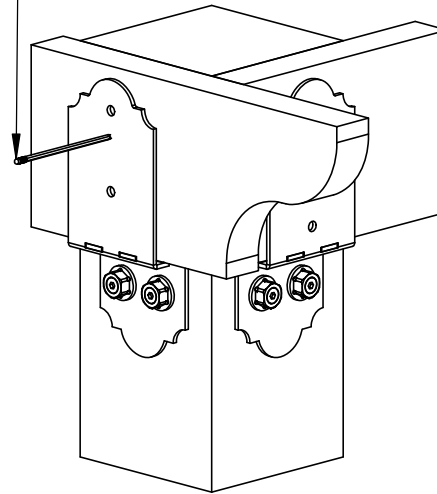
optional accessory

Installation Instructions, 56636



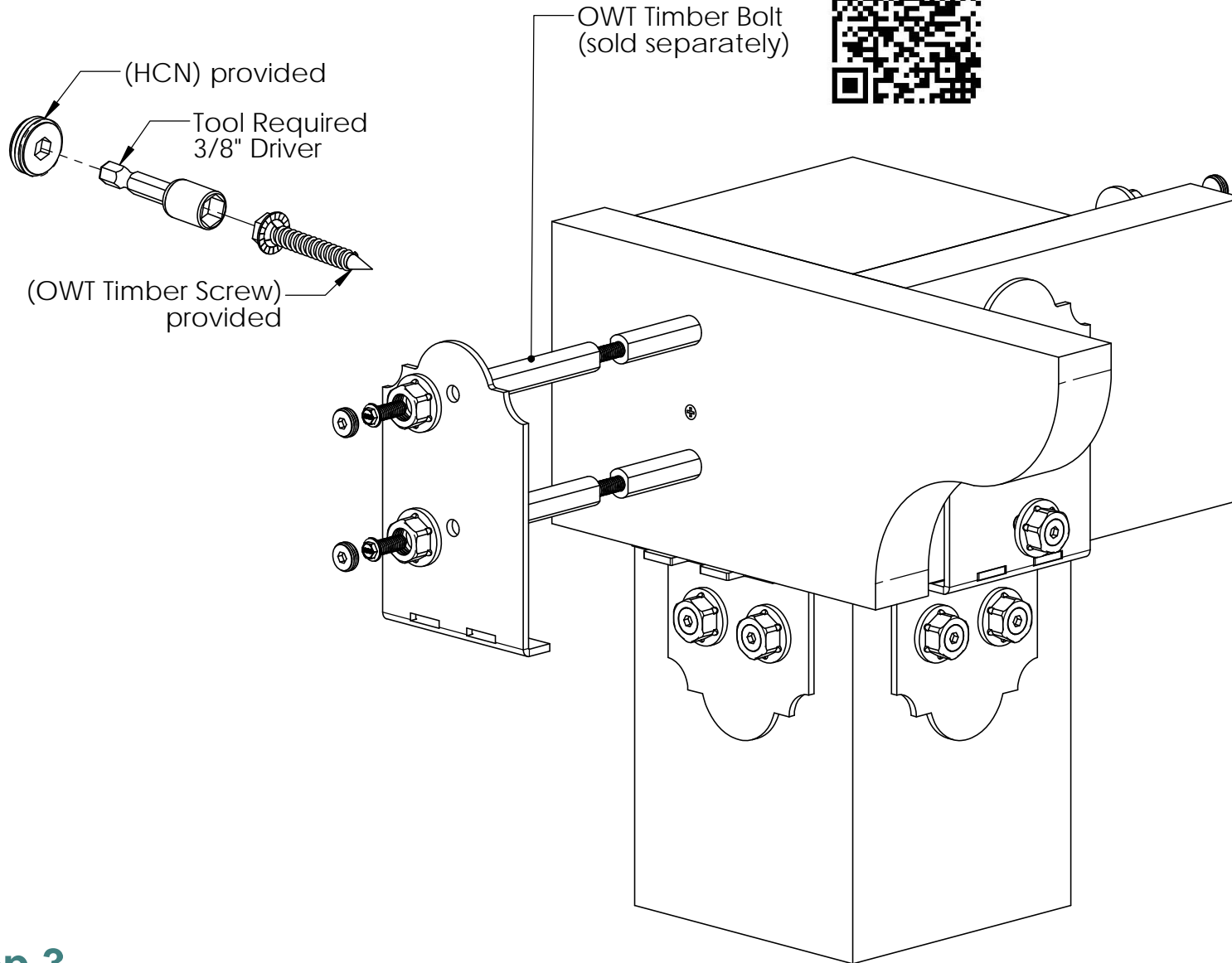
step 1

temporarily install plates
and mark center of holes



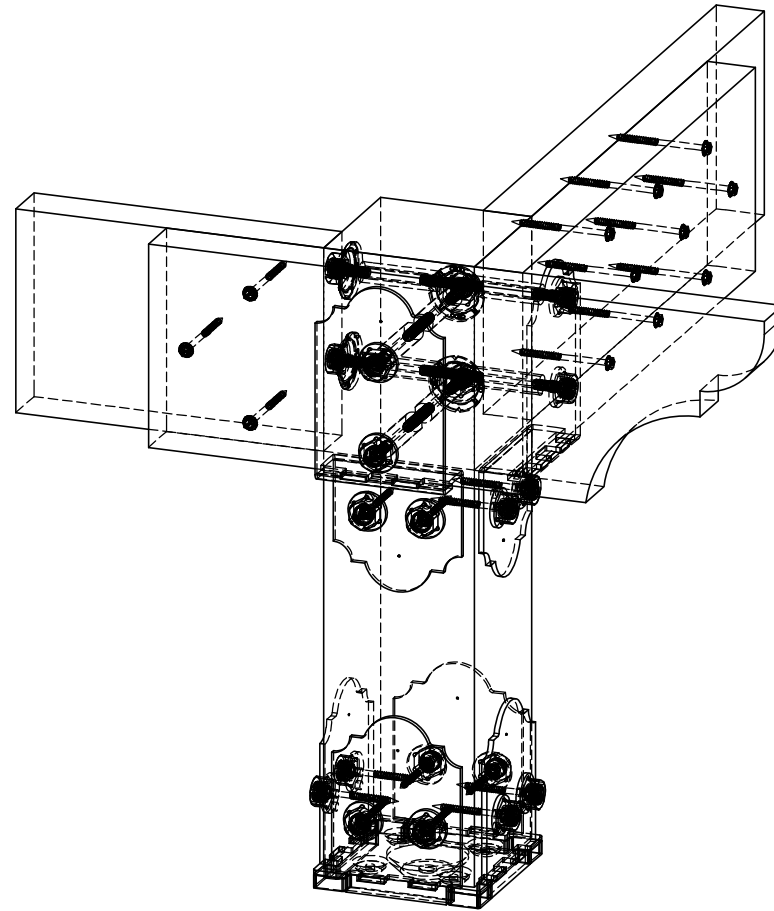
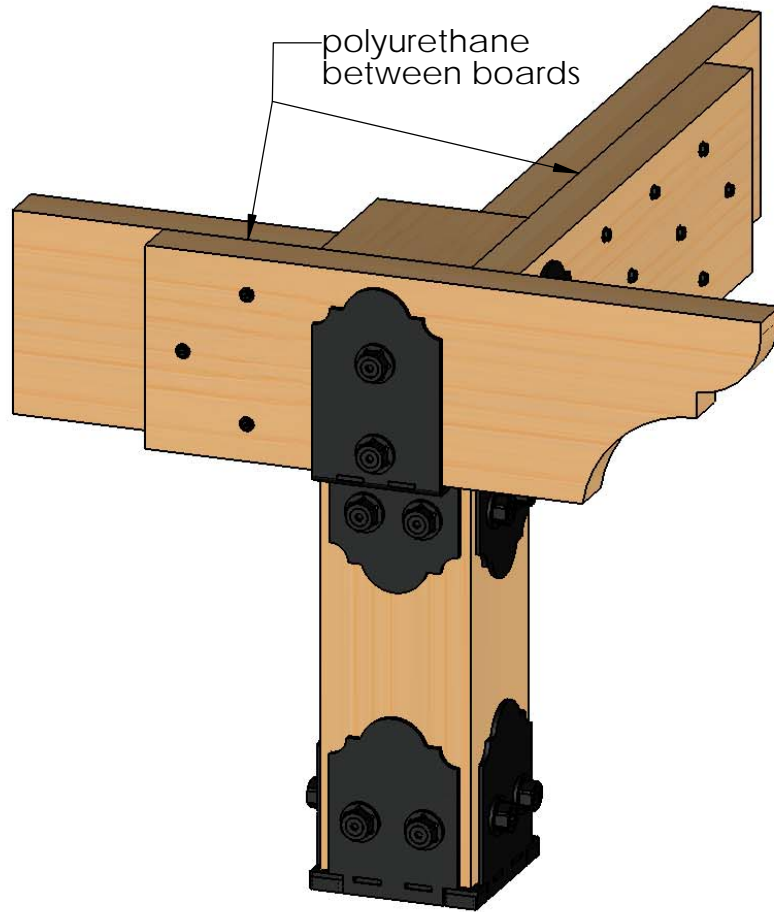
Prevent Unsightly Breakouts
drill most of the way from one
side DO NOT breakout then
repeat from opposite side

step 2



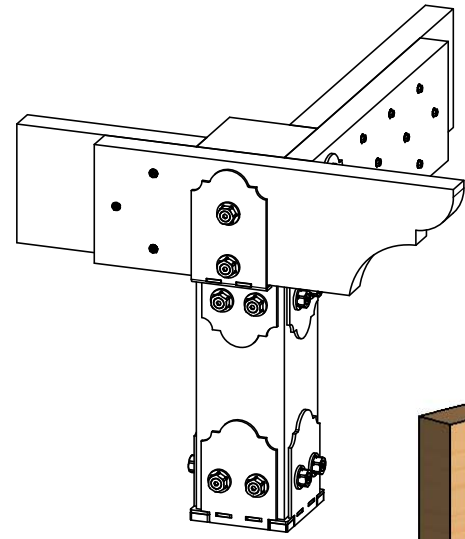
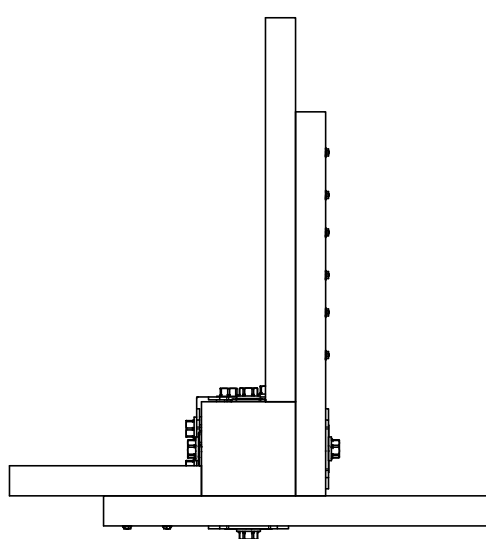
step 3

Installation Instructions, 56636

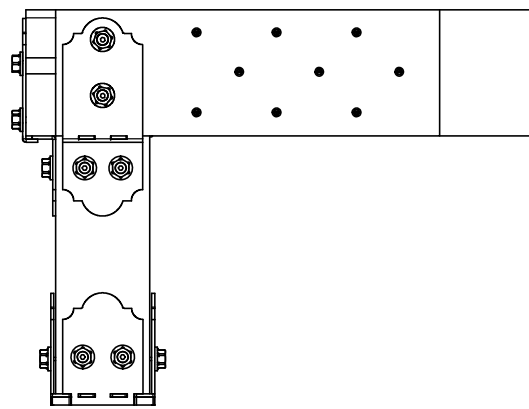
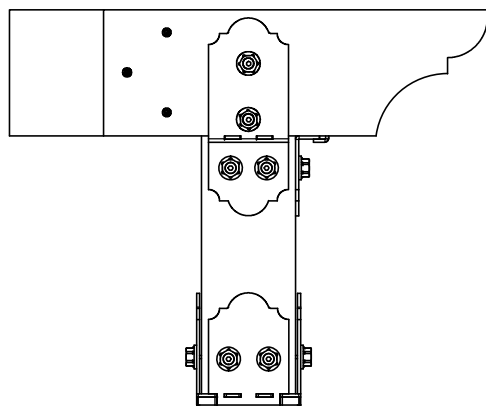
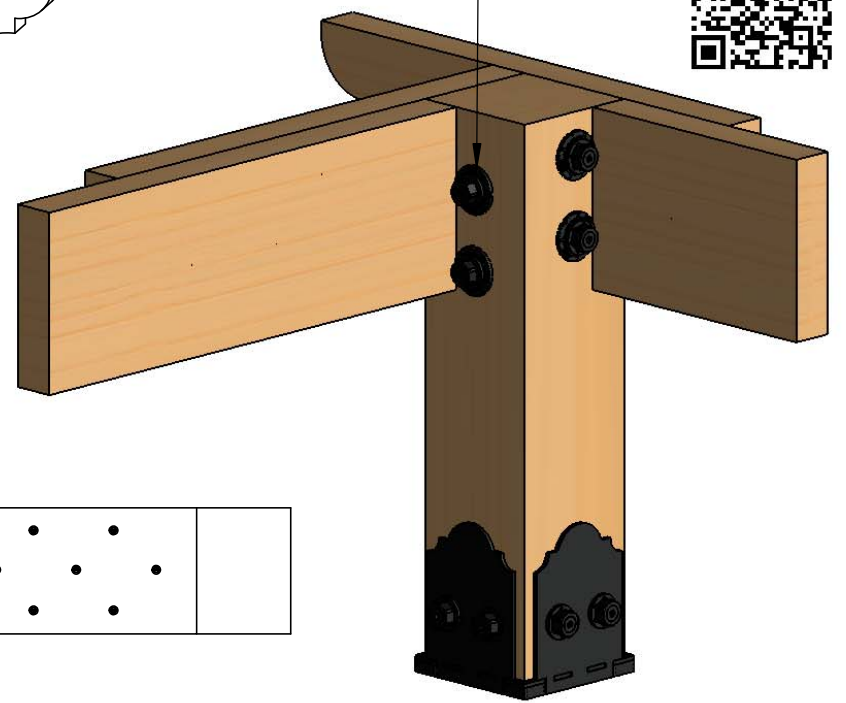


Additional Construction Technique

Installation Instructions, 56636

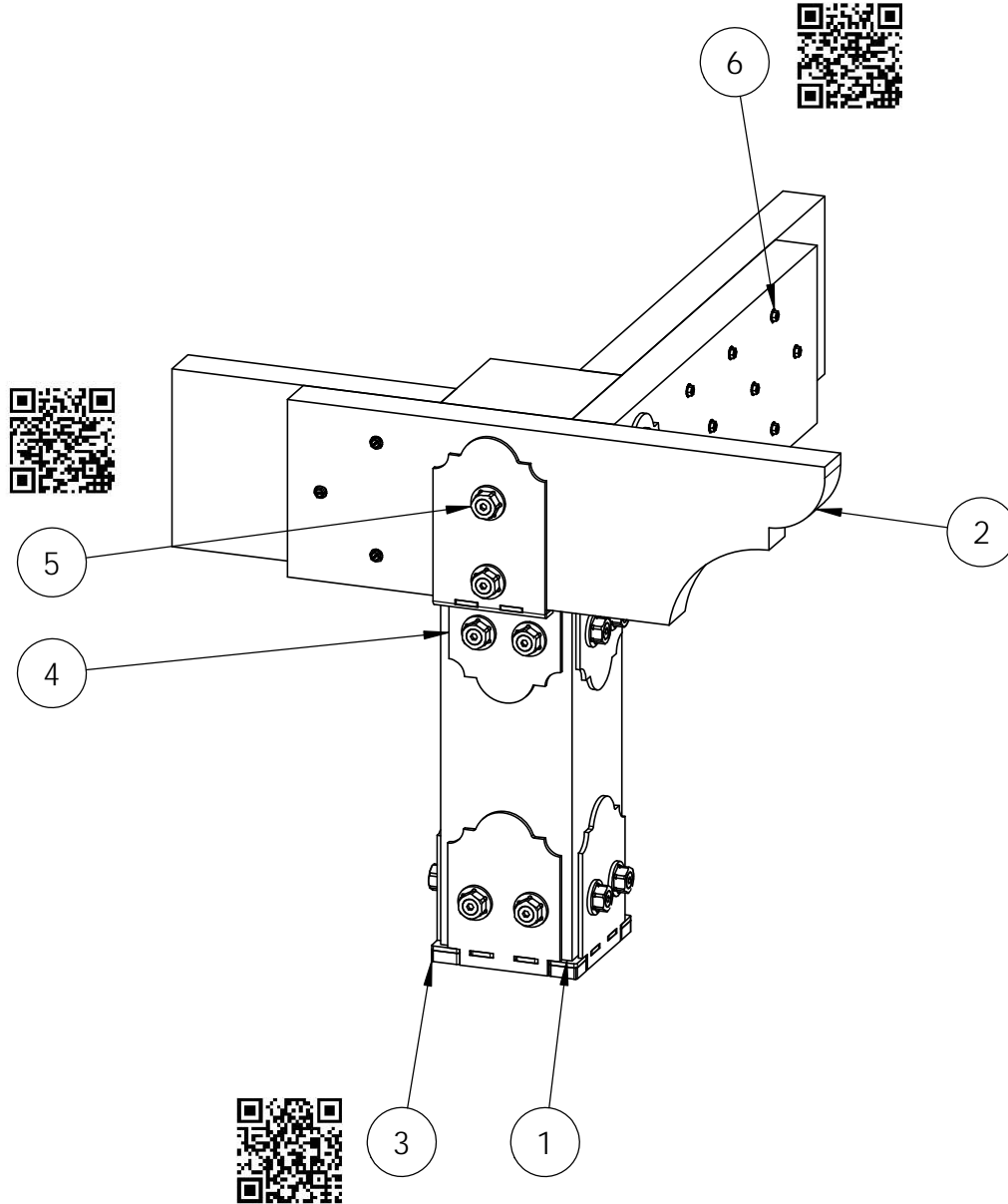


optional 2" Timber
Bolt Heavy Duty
Washer (OWT-
TBW-2)#56680



Additional Construction Technique

Installation Instructions, 56636

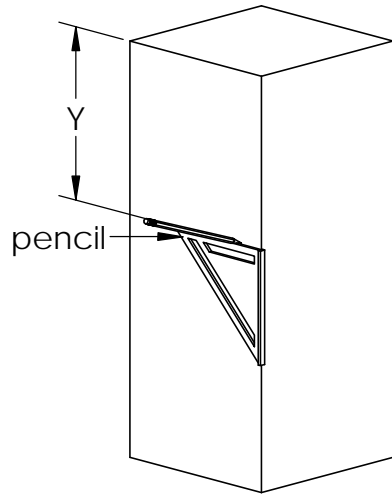


ITEM NO.	QTY.	PART NUMBER	DESCRIPTION
1	1	6x6 Cedar Post	6x6x24.00
2	4	2x8 Cedar Board	2x8x12.00
3	1	56608	6x6 Post Base Kit (6X6-PB-LS)
4	1	56636	
5	2	56650	OWT Timber Bolt 6-8"
6	0.48	56627	OWT Timber Screw 3-3/4"

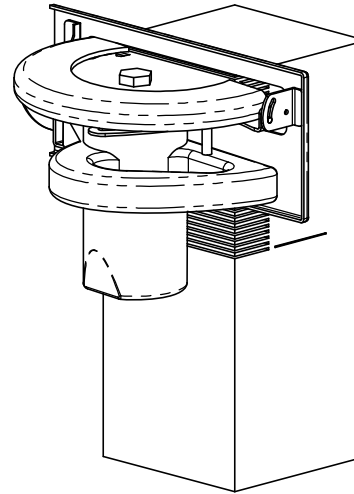
Additional Construction Technique

Installation Instructions, 56636

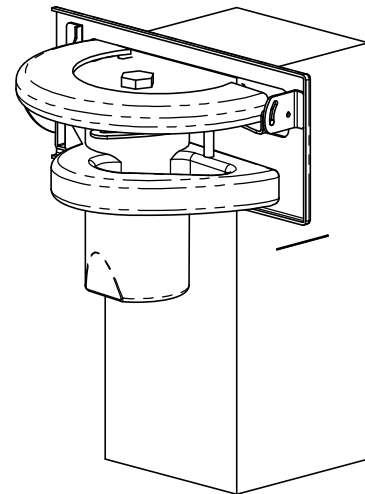
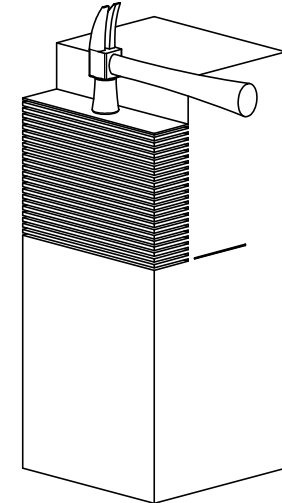
mark ledge location



multiple cuts
approximately 1/4"
apart to mark



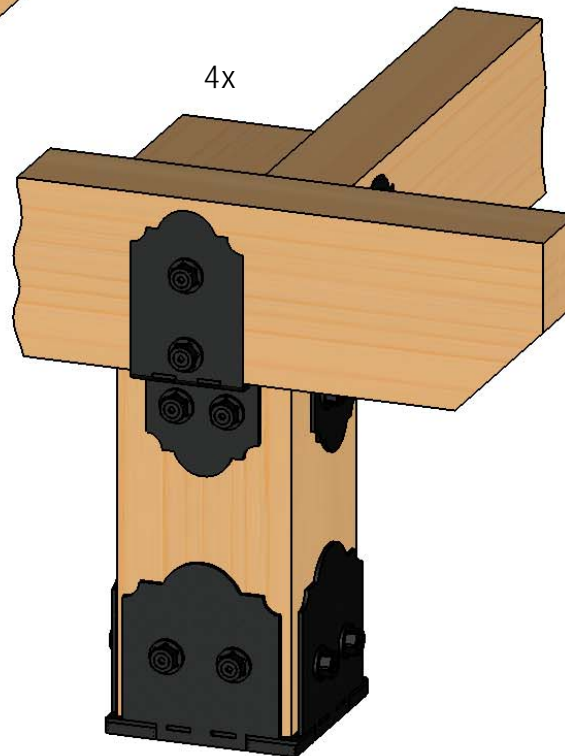
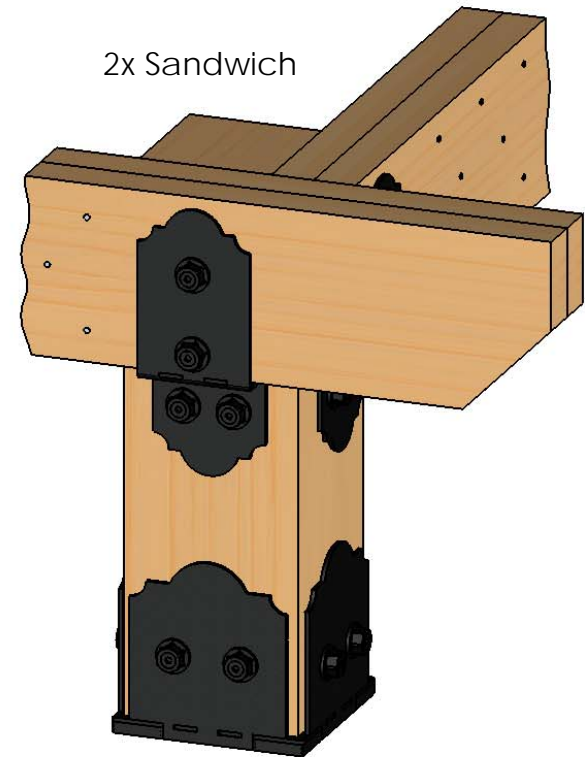
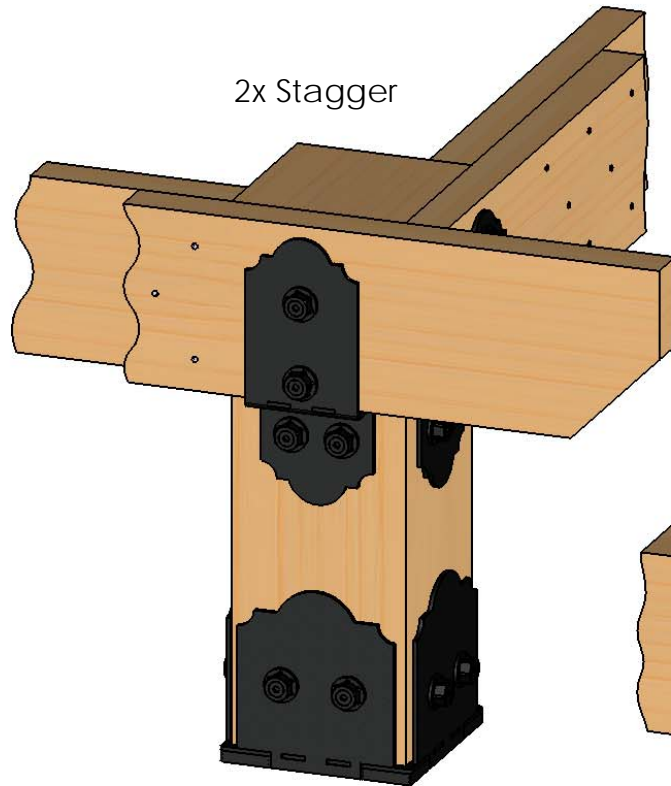
remove pieces



set saw cut depth;
start cuts 1/4" from top

Dato cut for 4x lumber

Ian's Concept

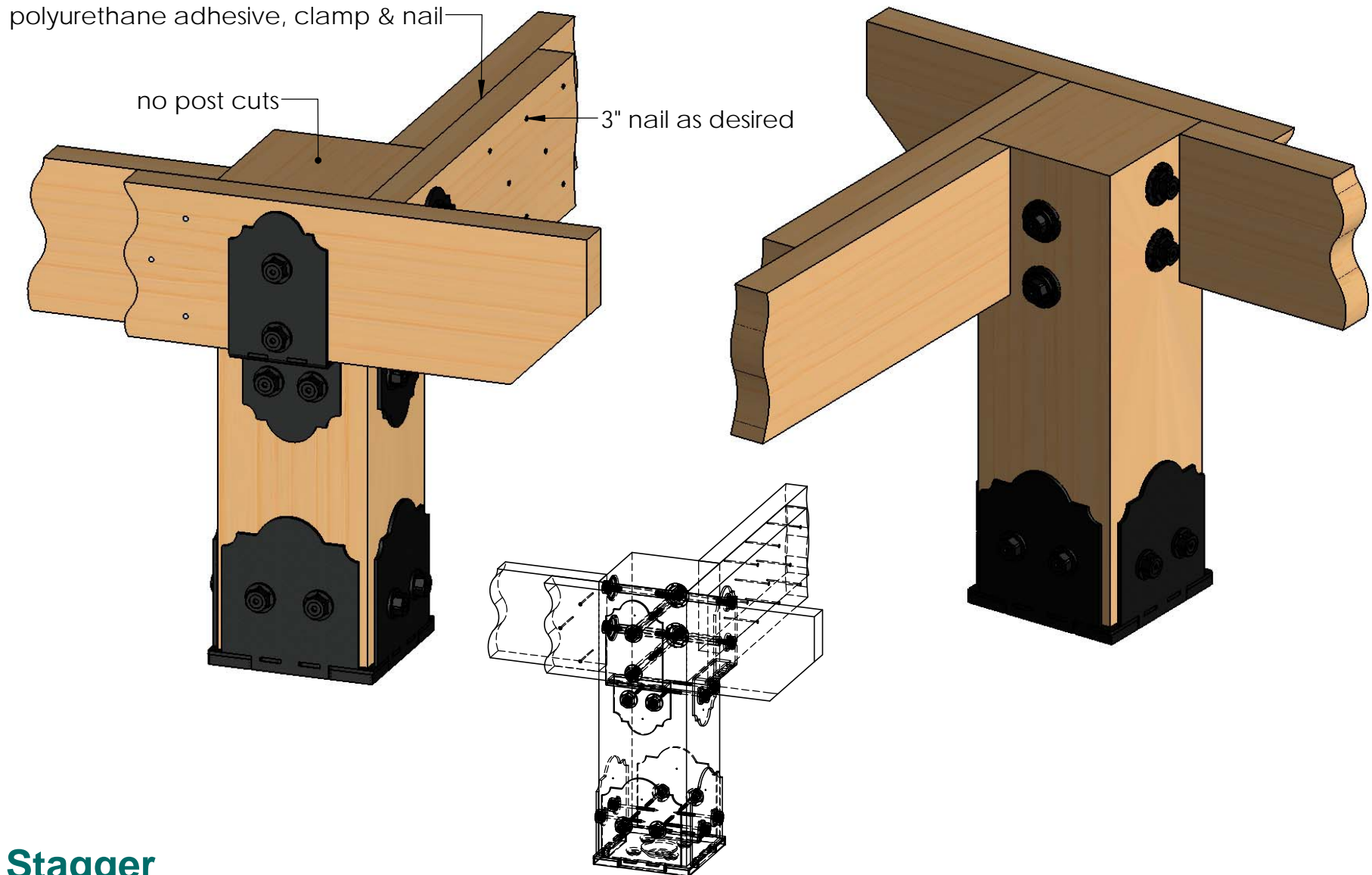
4x Beam Installation

- 3 style choices
- When 4x lumber not available or cost effective
- see subsequent pages for details on each style

see product installation instructions for hardware installation

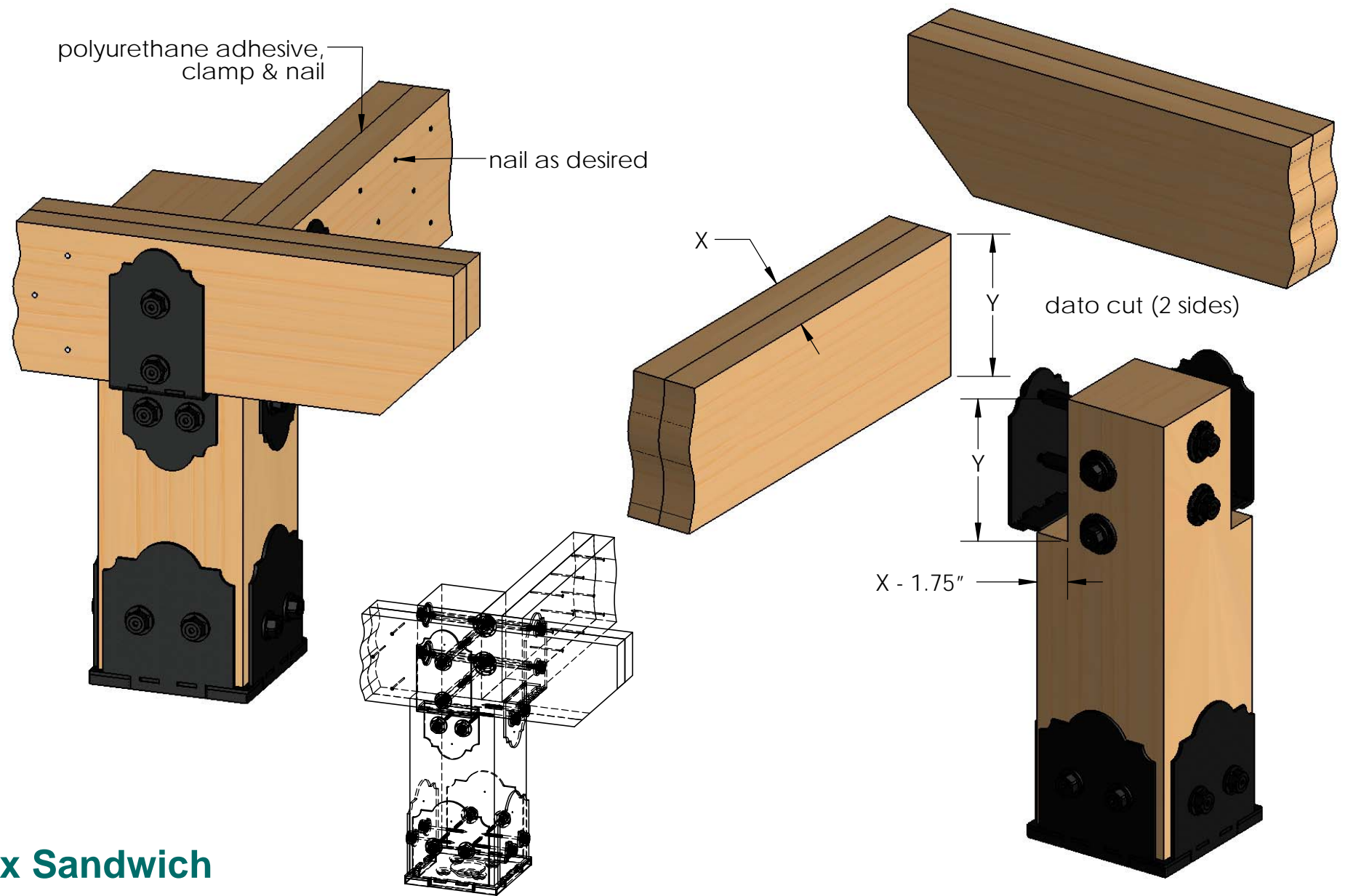


OZCO BUILDING PRODUCTS



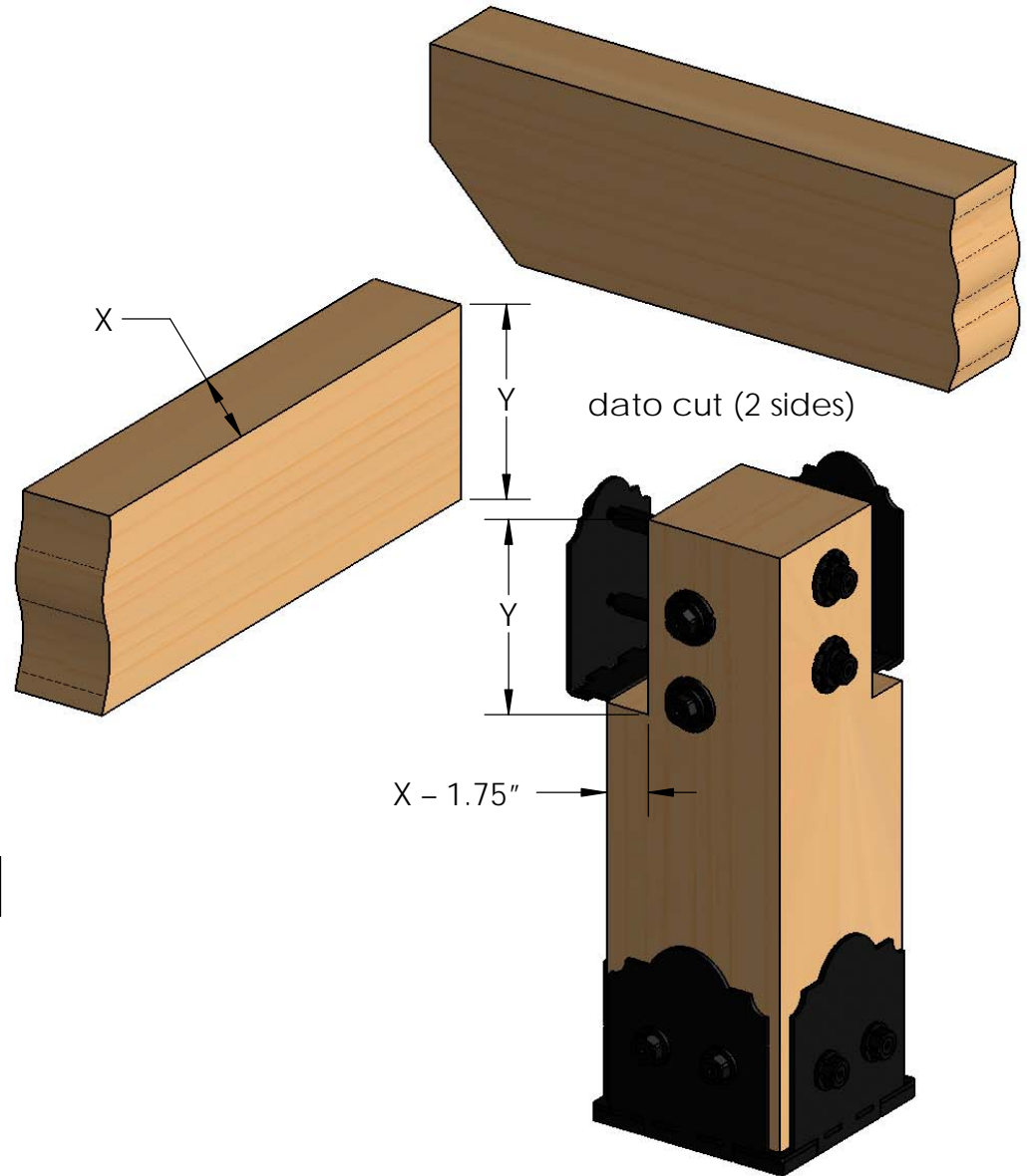
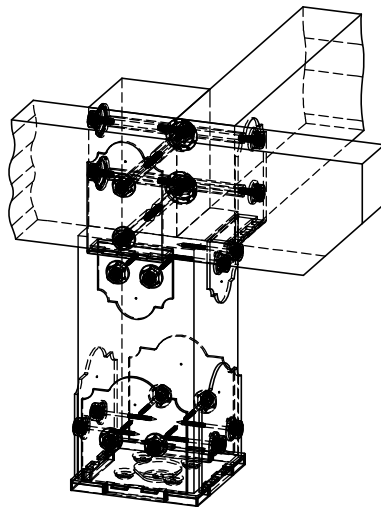
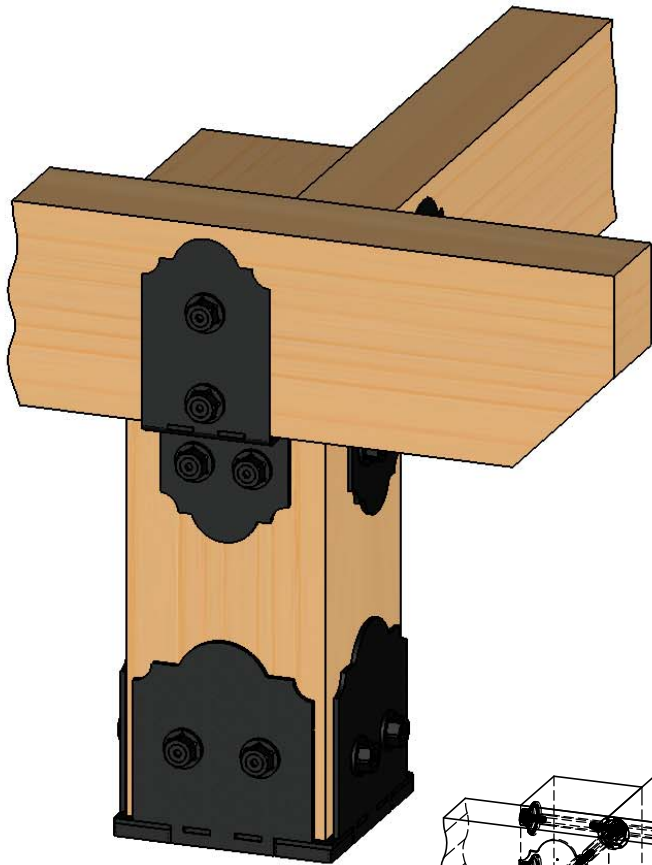
2x Stagger

Ian's Concept



2x Sandwich

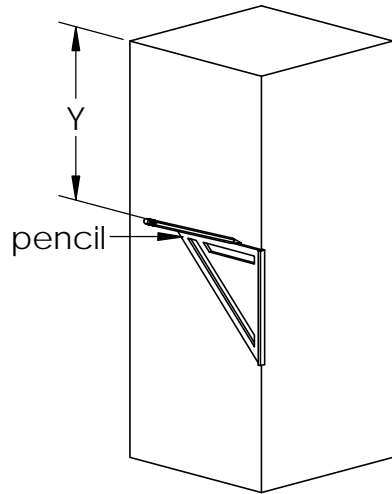
Ian's Concept



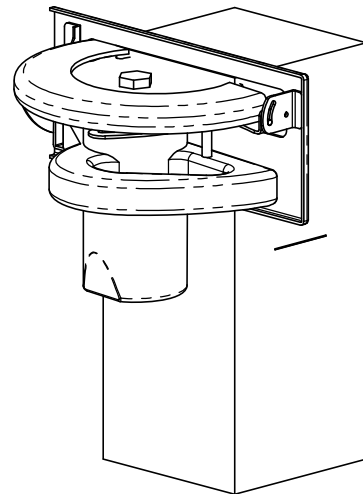
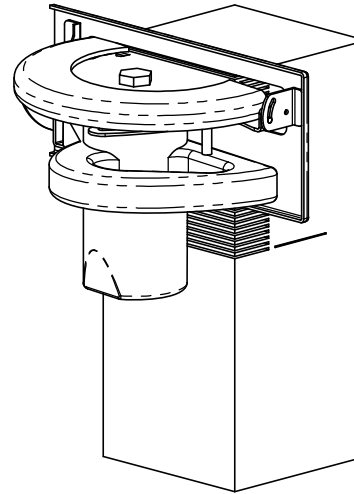
4x

Ian's Concept

mark ledge location

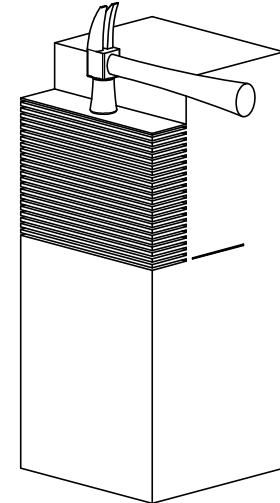


multiple cuts
approximately 1/4"
apart to mark



set saw cut depth;
start cuts 1/4" from top

remove pieces



Dato cut details

Ian's Concept