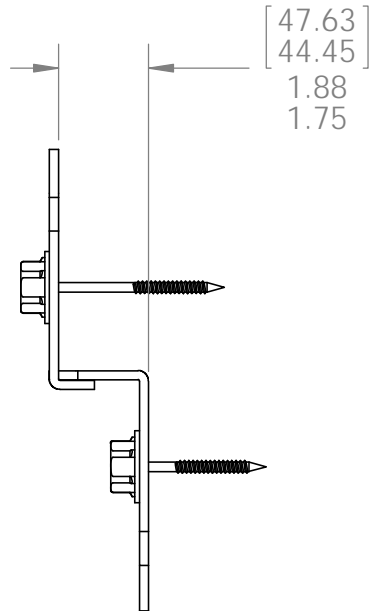
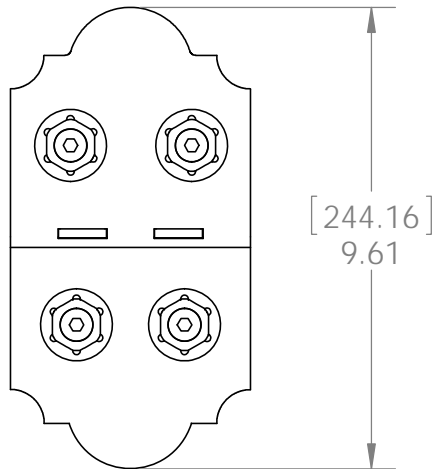
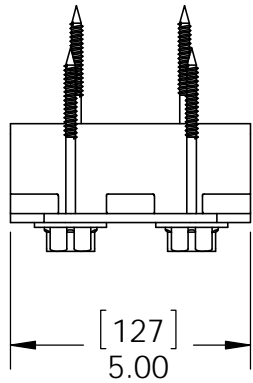


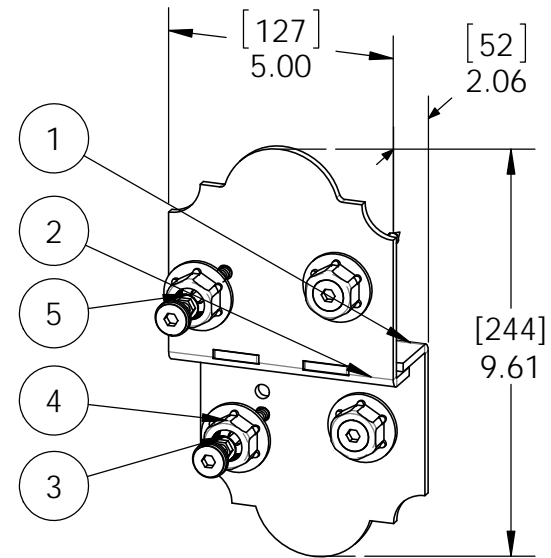
# Product & Packaging Specs

## 6" Post to Beam

Item #: 56635



ITEM NO.	QTY.	PART NUMBER	DESCRIPTION
1	1	56610-11	Ledge, Post to Beam
2	1	56635-11	Plate, Top 6" Post to Beam
3	0.08	56626	OWT Timber Screw 2-3/4"
4	4	56621	1 1/2" Hex Cap Nut
5	2	56627	OWT Timber Screw 3-3/4"



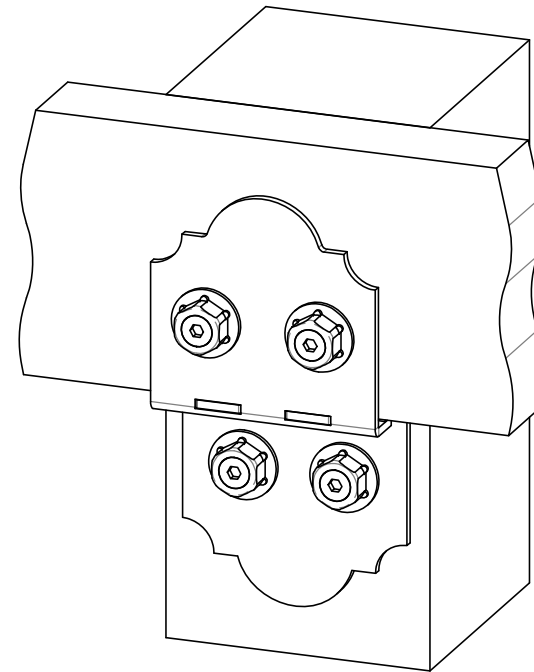
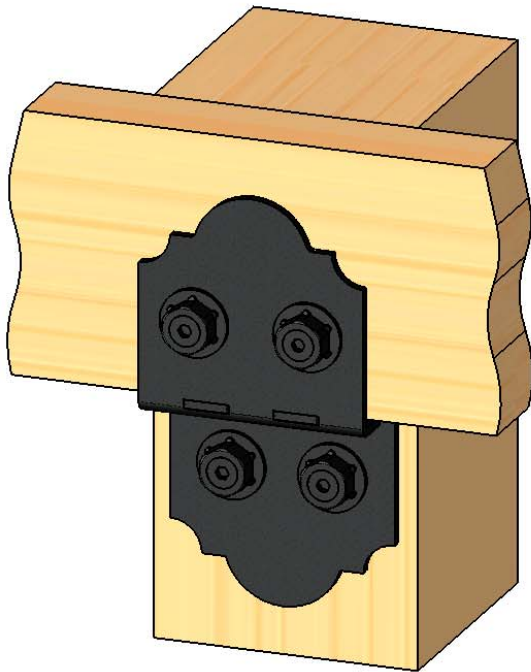
kit contains 2 assemblies

Weight: 3.03 LBS  
 Scale: 1:4  
 Last updated: 7/13/2015

# Product & Packaging Specs

6" Post to Beam

Item #: Typical Installation & Basic Assembly



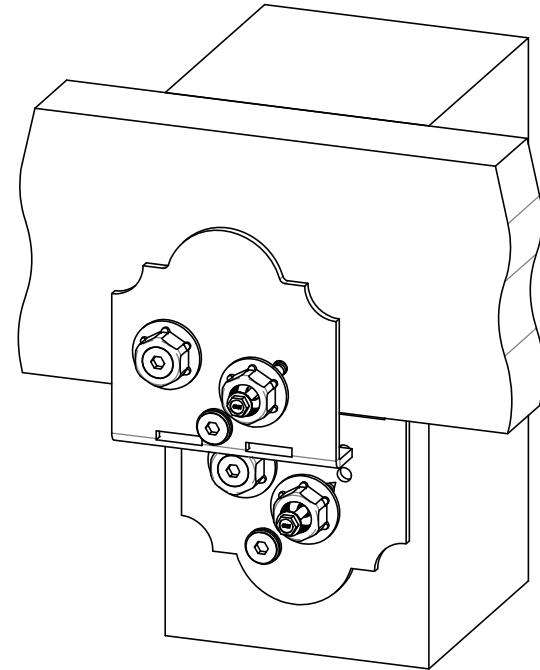
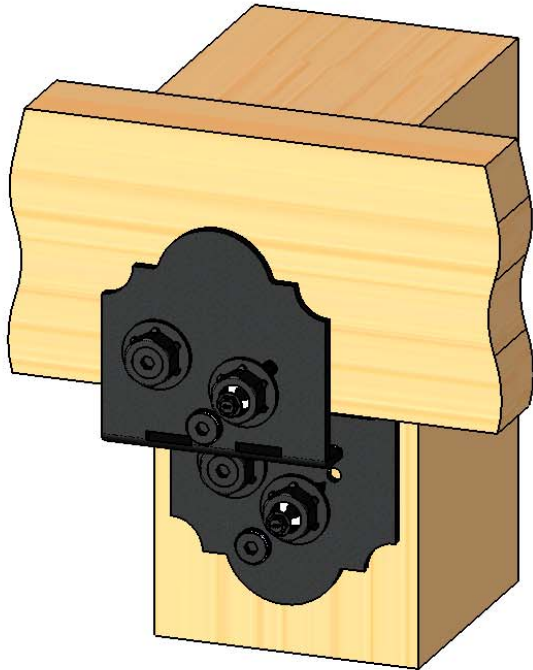
Scale: 1:4  
Last updated: 7/13/2015

56635-10

# Product & Packaging Specs

6" Post to Beam

Item #: Typical Installation & Basic Assembly

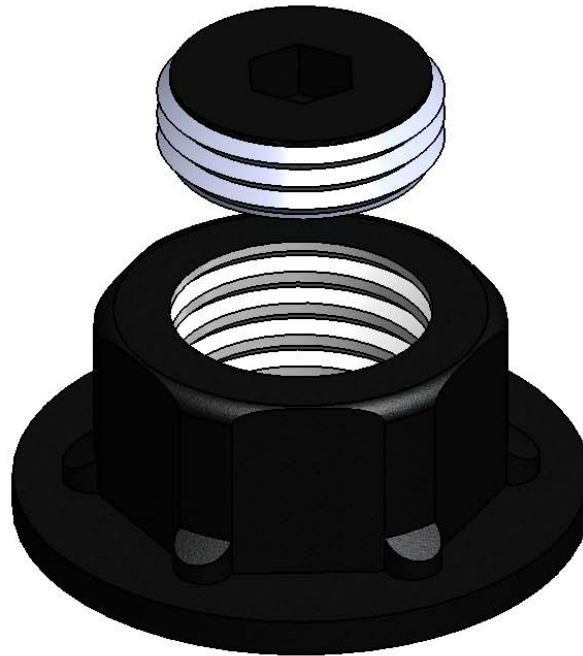


Scale: 1:4  
Last updated: 7/13/2015

56635-10

# Product & Packaging Specs

1 1/2" Hex Cap Nut  
Item #: 56621



Weight: 0.04 LBS  
Scale: 1:1  
Last updated: 7/13/2015

56635-10

for additional information, see drawing 56621

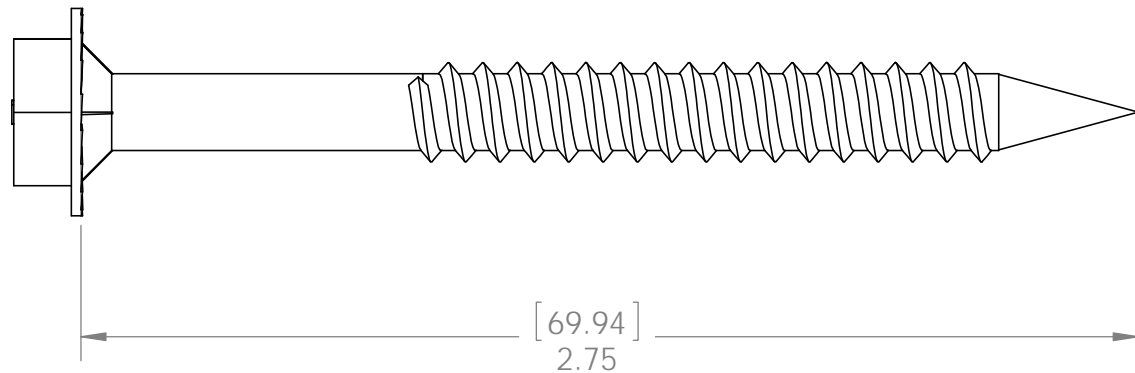
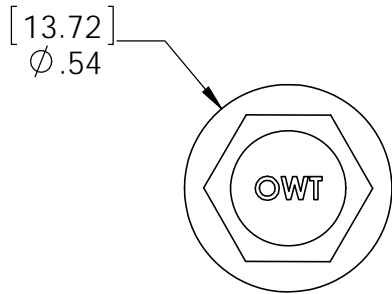
V1.00 - Installation Instructions effective May 1, 2015 and reflects information that available as of April 10, 2014. This information is updated periodically and should not be relied upon after May 1, 2015. Please visit [www.OZCOBP.com](http://www.OZCOBP.com) to get current information



# Product & Packaging Specs

## Screw, OWT 2-3/4" (70mm) Timber

Item #: 56626



Weight: 0.02 LBS  
Scale: 1:1  
Last updated: 7/13/2015

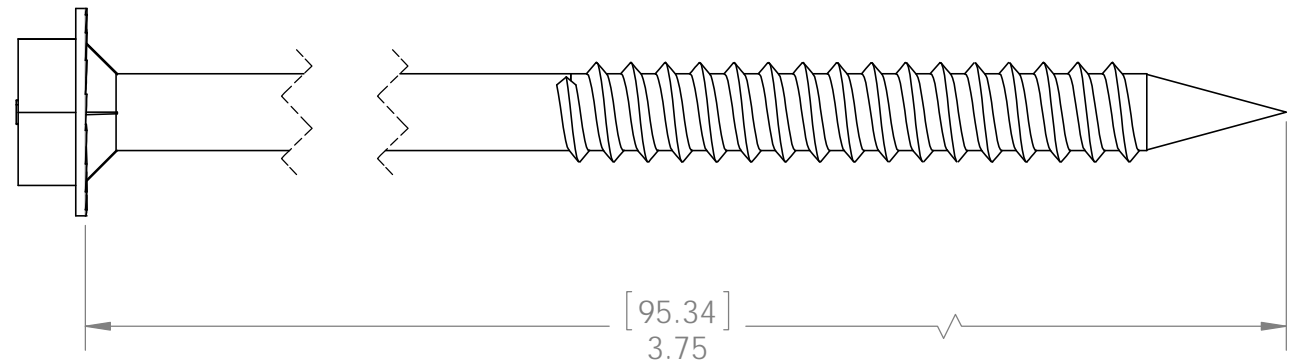
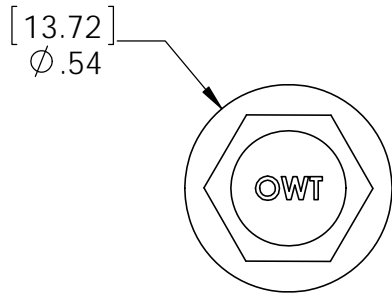
for additional information, see drawing OWT Timber Screw

V1.00 - Installation Instructions effective May 1, 2015 and reflects information that available as of April 10, 2014. This information is updated periodically and should not be relied upon after May 1, 2015. Please visit [www.OZCOBP.com](http://www.OZCOBP.com) to get current information

# Product & Packaging Specs

## Screw, OWT 3-3/4" (95mm) Timber

Item #: 56627



Weight: 0.02 LBS  
Scale: 1:1  
Last updated: 7/13/2015

56635-10

for additional information, see drawing OWT Timber Screw

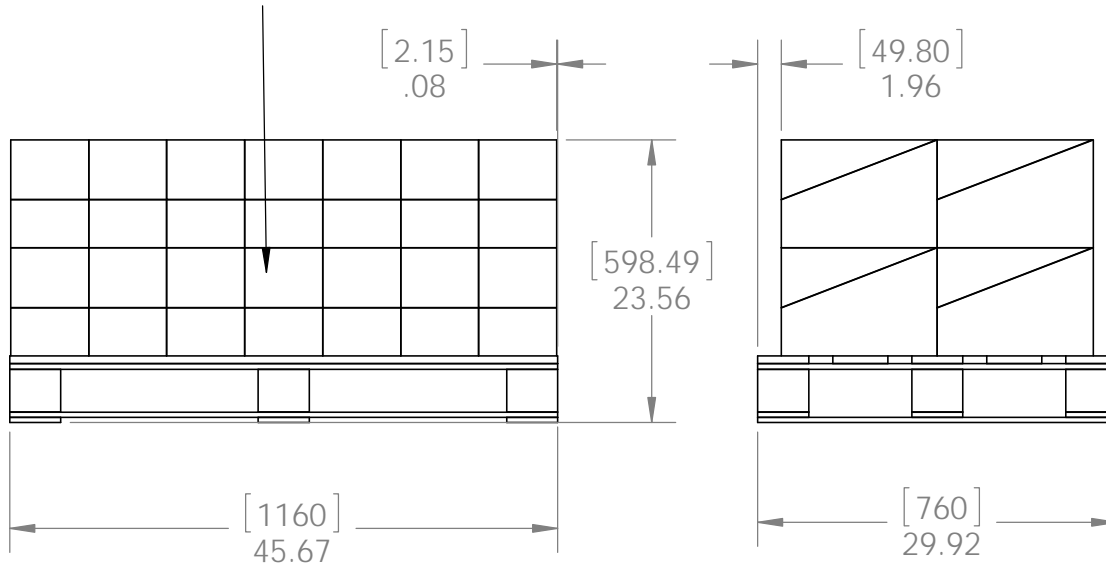
V1.00 - Installation Instructions effective May 1, 2015 and reflects information that available as of April 10, 2014. This information is updated periodically and should not be relied upon after May 1, 2015. Please visit [www.OZCOBP.com](http://www.OZCOBP.com) to get current information

Item #: **56635** | **P2B-LS-6**  
 6" Post to Beam LS

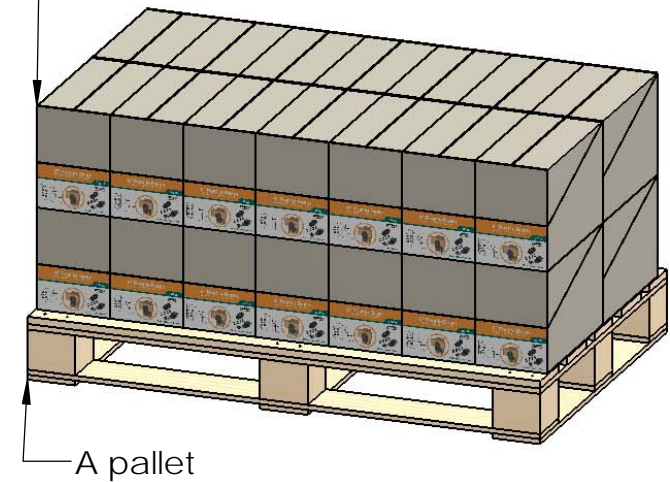
**PALLET** **168 pcs**  
 SKU#: **56835**

Weight: **1187 lbs**

LOT# \_\_\_\_\_ Priority# \_\_\_\_\_



Total number of cases: 28  
 Total number of pieces:  
 28x6=168 pieces on pallet



additional pallet packing instructions

- plywood on top layer
- strap to pallet
- clear wrap around boxes

Weight: 1187 LBS  
 Scale: 1:16  
 Last updated: 7/13/2015