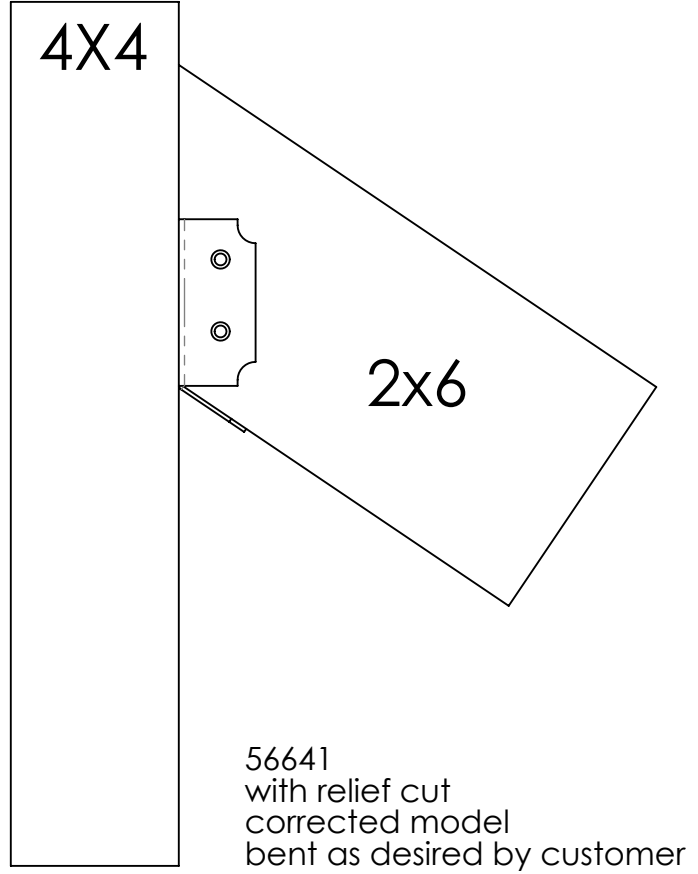
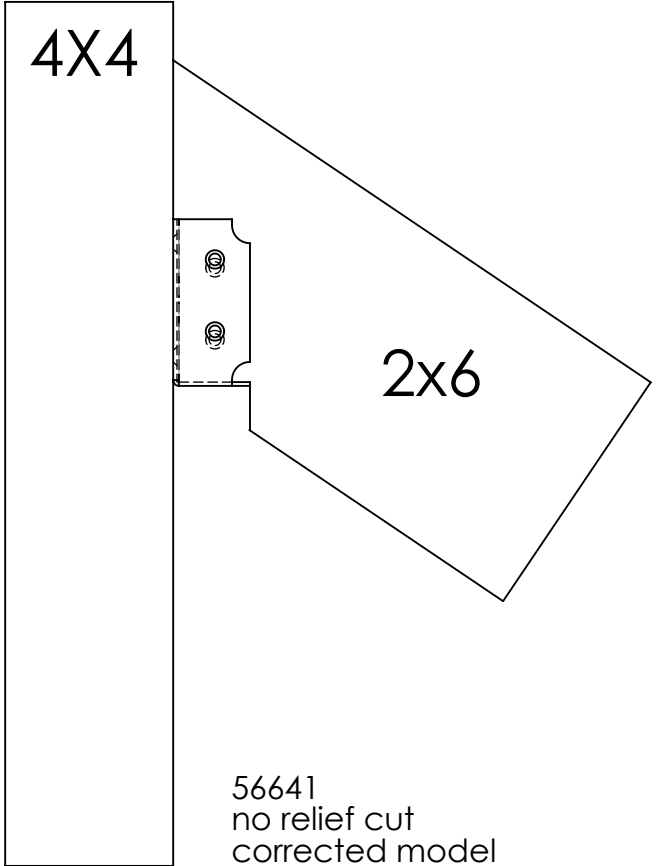


216 N. Interurban
Richardson, Texas 75081
469-916-7503

PROPRIETARY AND CONFIDENTIAL
THE INFORMATION CONTAINED IN THIS DRAWING
IS THE SOLE PROPERTY OF OZCO BUILDING
PRODUCTS. ANY REPRODUCTION IN PART OR AS
A WHOLE WITHOUT THE WRITTEN PERMISSION OF
OZCO BUILDING PRODUCTS IS PROHIBITED.

TITLE: Assembly, xxx	
MATERIAL: -	FINISH: None
LAST UPDATED: DAS 8/7/2014	
SIZE A	DWG. NO. 56641 Rail Saddle Stair Stringer Installation
SCALE: 1:4	WEIGHT: 3.52 LBS [] MM

REV
A



216 N. Interurban
Richardson, Texas 75081
469-916-7503

PROPRIETARY AND CONFIDENTIAL
THE INFORMATION CONTAINED IN THIS DRAWING
IS THE SOLE PROPERTY OF OZCO BUILDING
PRODUCTS. ANY REPRODUCTION IN PART OR AS
A WHOLE WITHOUT THE WRITTEN PERMISSION OF
OZCO BUILDING PRODUCTS IS PROHIBITED.

TITLE: Assembly, xxx			
MATERIAL: -		FINISH: None	
LAST UPDATED: DAS 8/7/2014			
SIZE A	DWG. NO. 56641 Rail Saddle Stair Stringer Installation		REV A
SCALE: 1:4		WEIGHT: 3.52 LBS	[] MM