

Installation Instructions, Post Base

6x6 shown
with optional
2-3/8 Star
(56623-sold
separately)



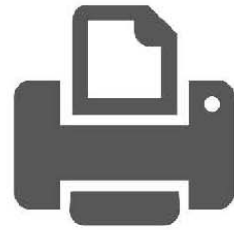
- 56604 4x6 (4x6-PB-LS)
- 51704 4x6 (4x6-PB-IW)
- 56605 10x10 (10x10-PB-LS)
- 56607 4x4 (4x4-PB-LS)
- 51707 4x4 (4x4-PB-IW)
- 56608 6x6 (4x6-PB-LS)
- 51708 6x6 (4x6-PB-IW)
- 56609 8x8 (8x8-PB-LS)
- 51709 8x8 (8x8-PB-IW)

this instruction illustrates 6x6 Post Base installation.
All Post Bases will be installed the same.

Laredo Sunset shown

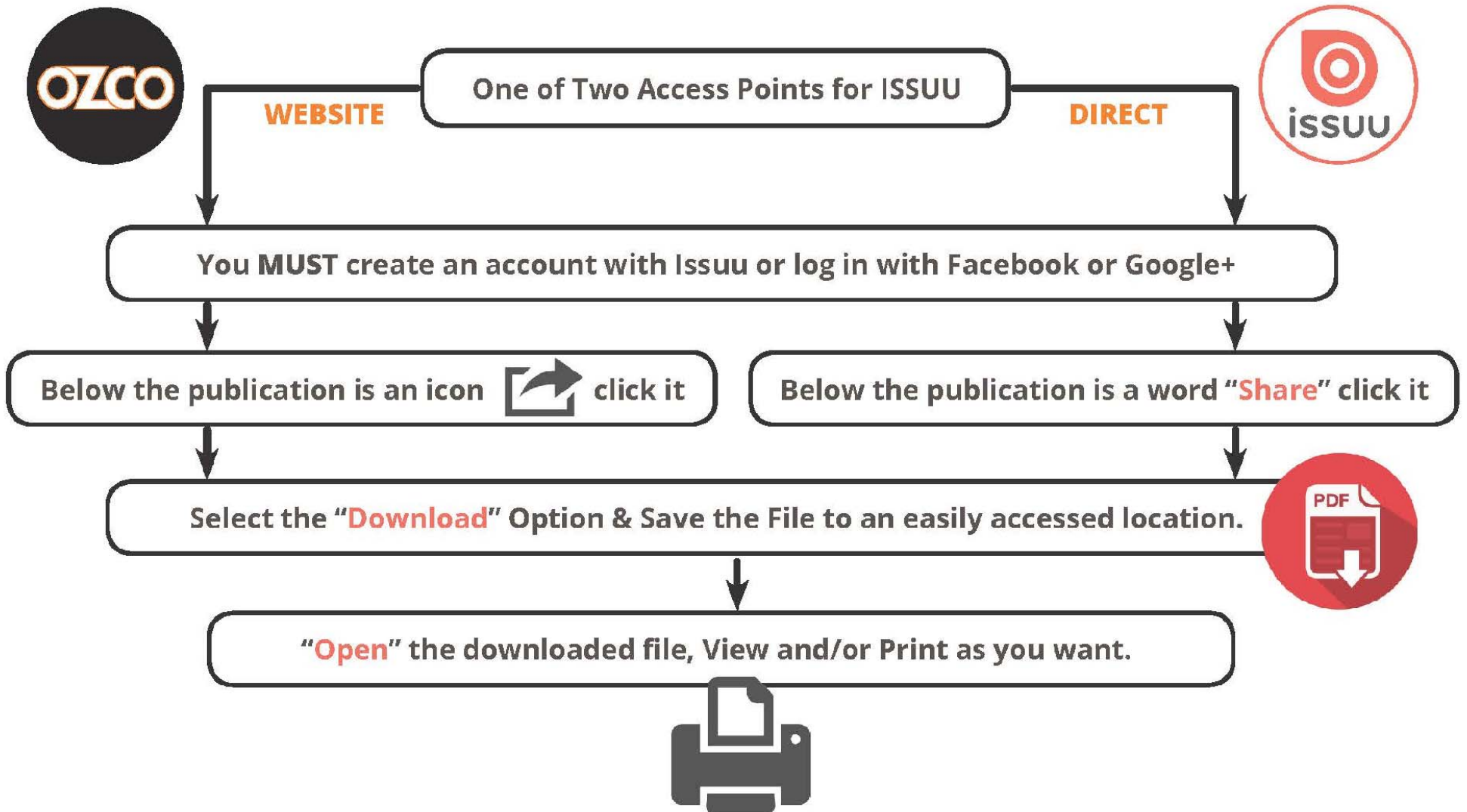


OZCO BUILDING PRODUCTS ■■■



Printing Documents from ISSUU

Unfortunately, there is currently no way to print content directly through issuu. To print a publication, you will need to download it and print it from your computer.



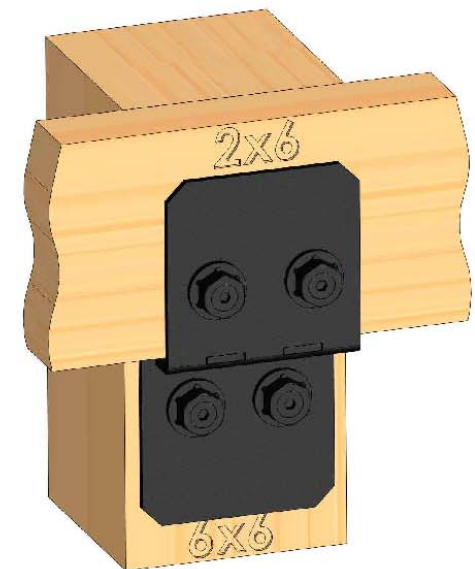
Laredo Sunset & Ironwood



Laredo Sunset
(566XX series)

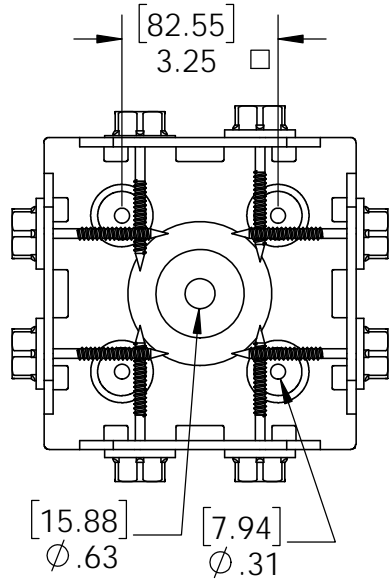
2 great styles
Same functionality
choose your
connection lifestyle

both styles available for
most products

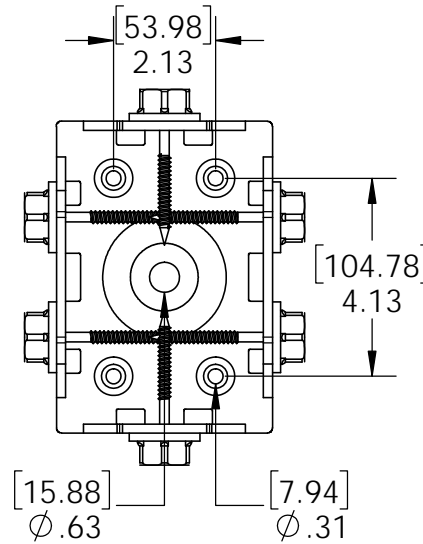


Ironwood
(517XX series)

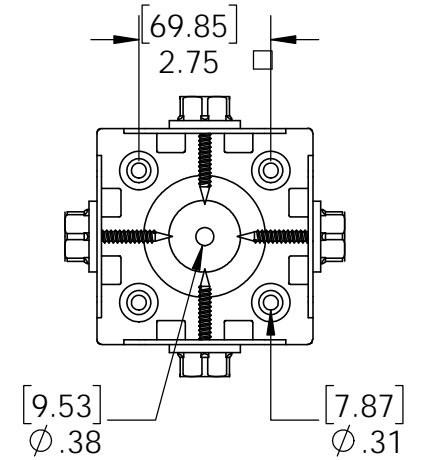




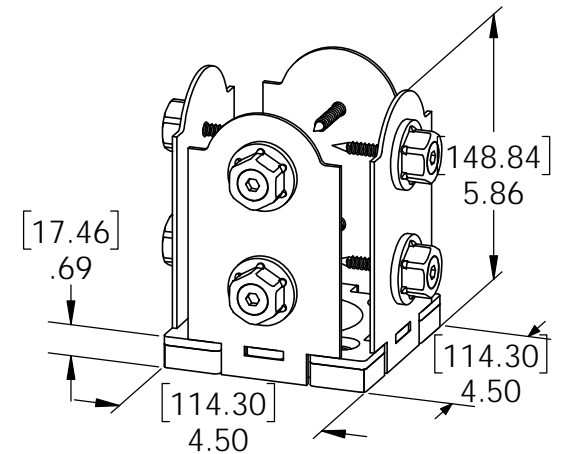
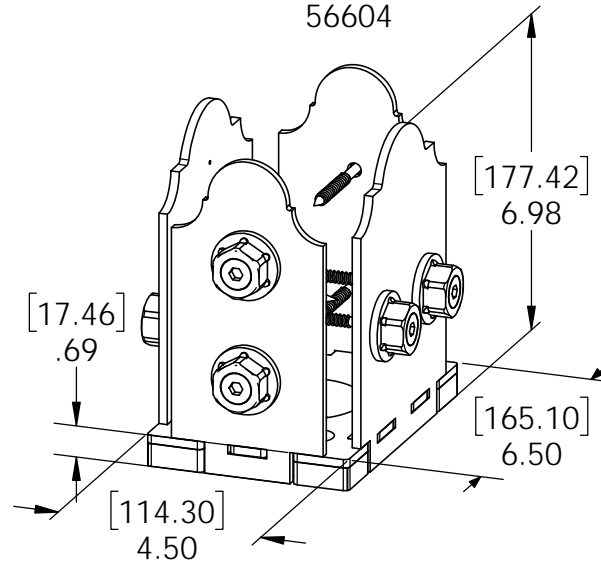
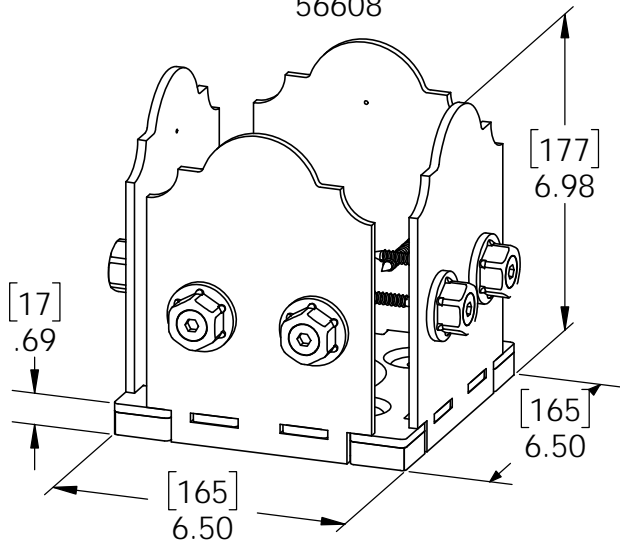
6x6 Post Base Kit (6X6-PB-LS)
56608



4x6 Post Base
56604

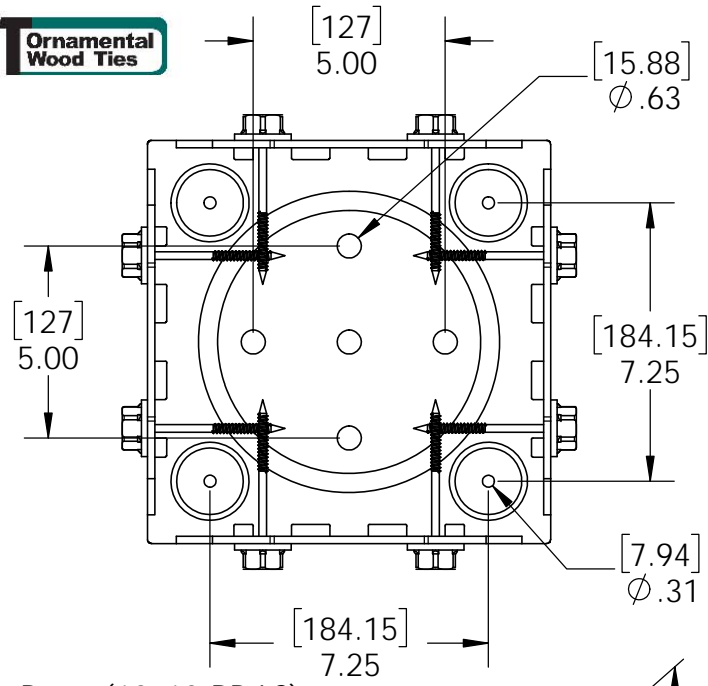


4x4 Post Base (4x4-PB-LS)
56607

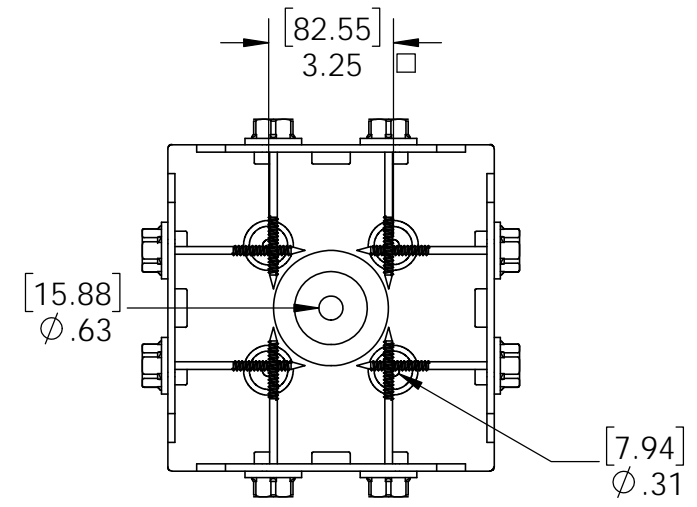
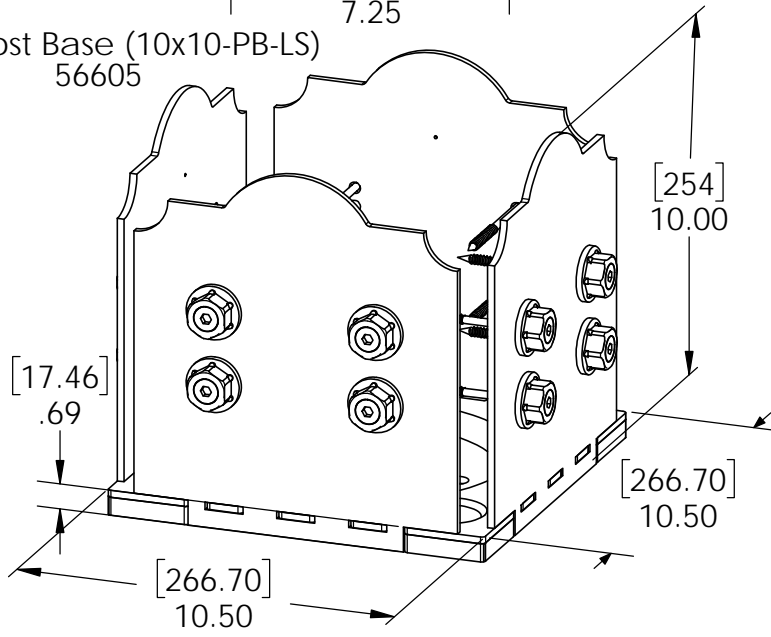


Overview-Laredo Sunset

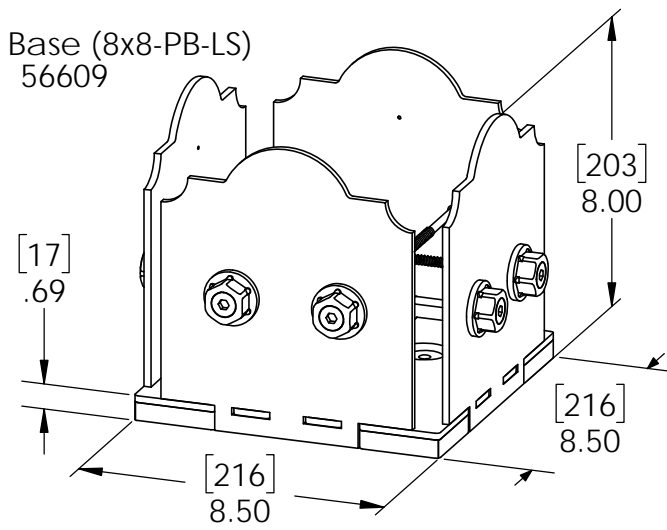
Installation Instructions, Post Base



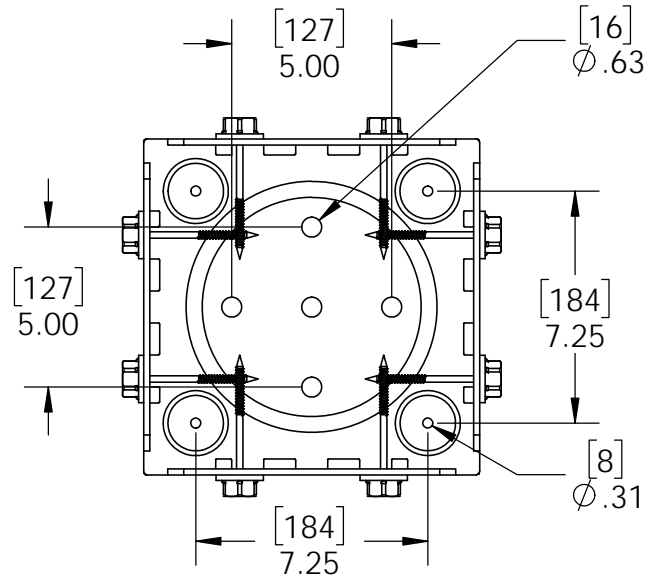
10x10 Post Base (10x10-PB-LS)
56605



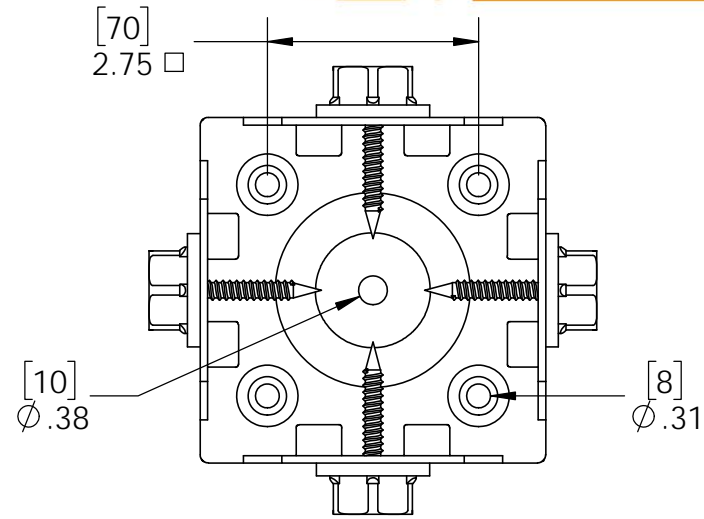
8x8 Post Base (8x8-PB-LS)
56609



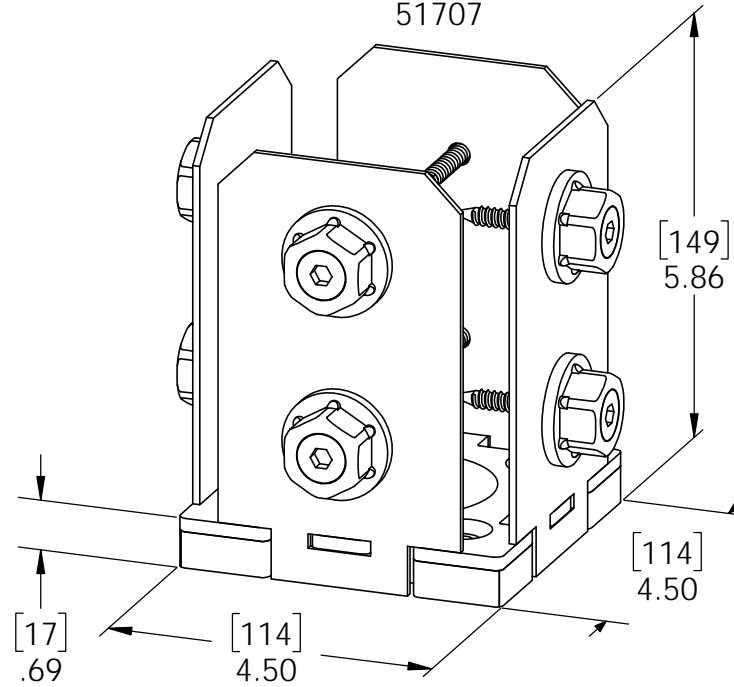
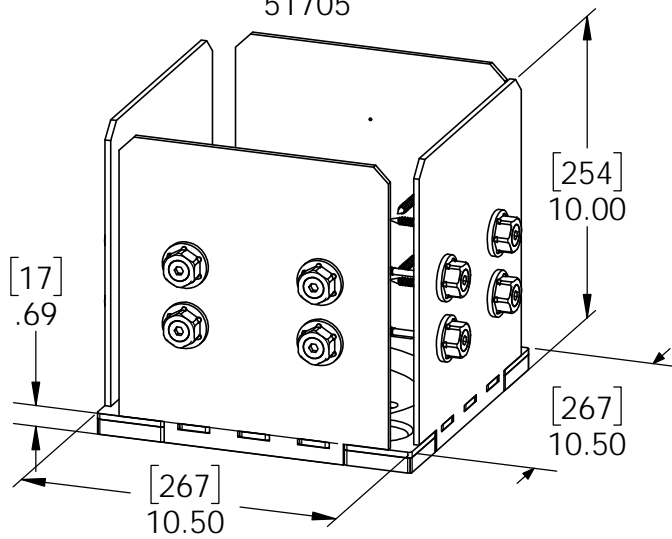
Overview-Laredo Sunset



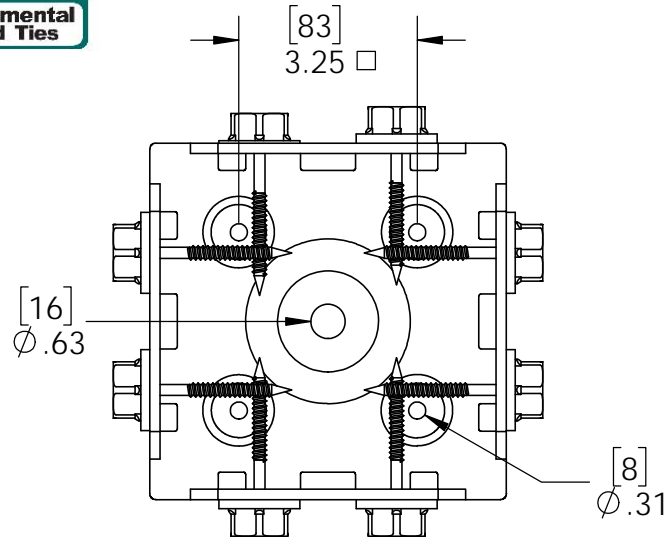
10x10 Post Base (10x10-PB-IW)
51705



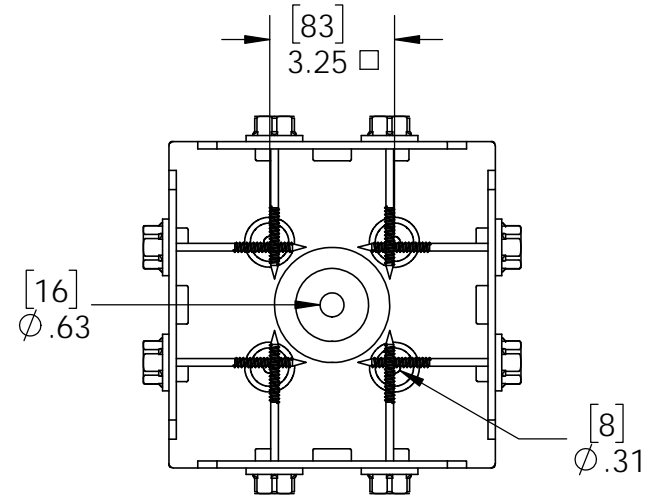
4x4 Post Base (4x4-PB-IW)
51707



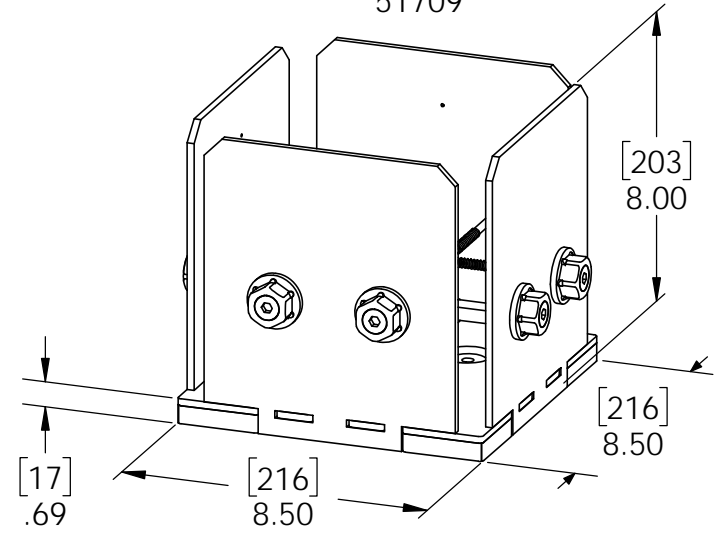
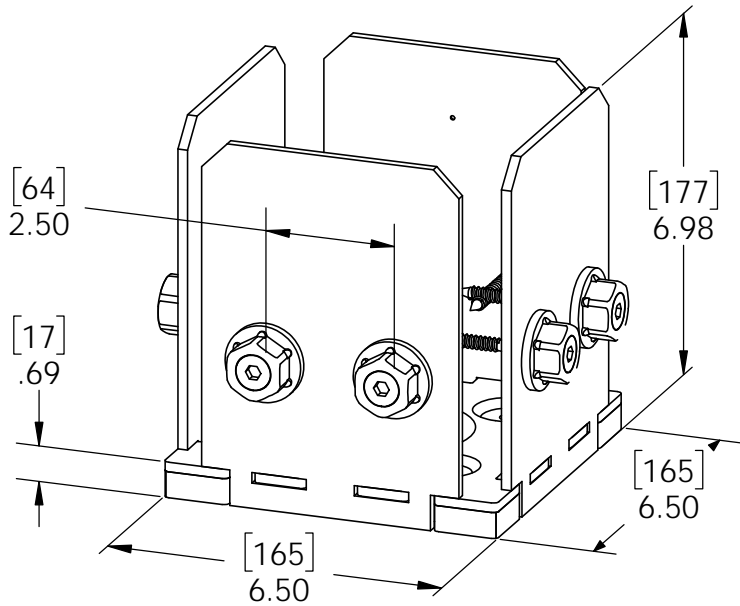
Overview-Ironwood



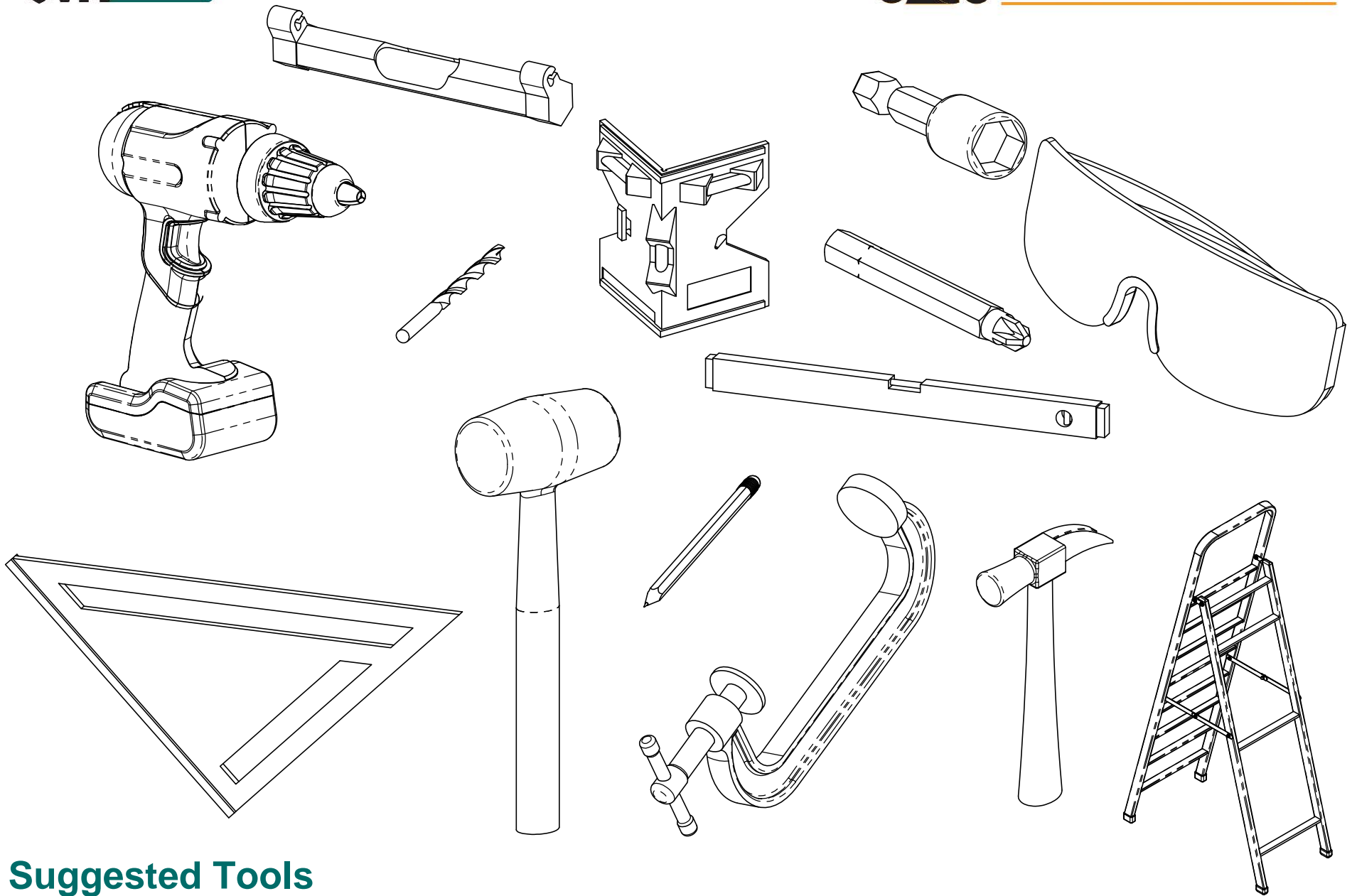
6x6 Post Base (6x6-PB-IW)
51708



8x8 Post Base (8x8-PB-IW)
51709



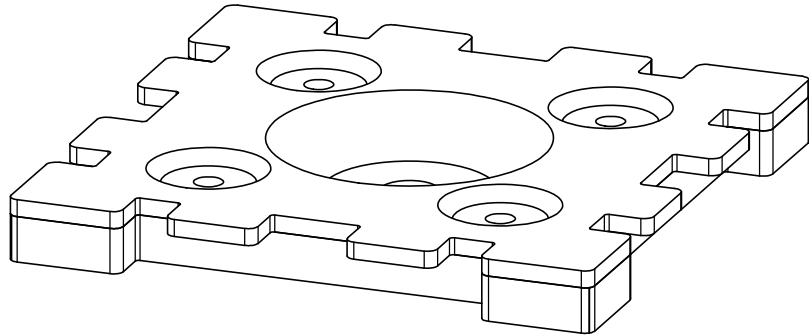
Overview-Ironwood



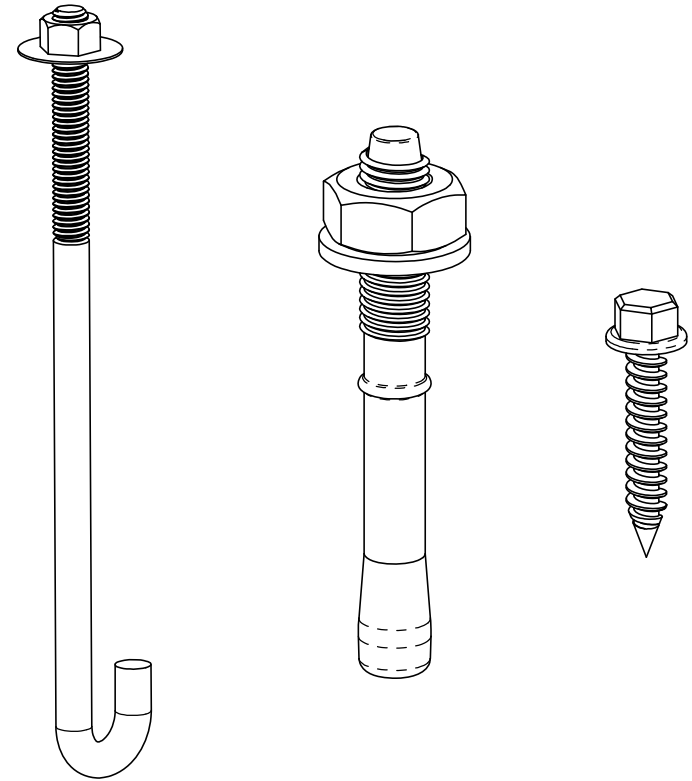
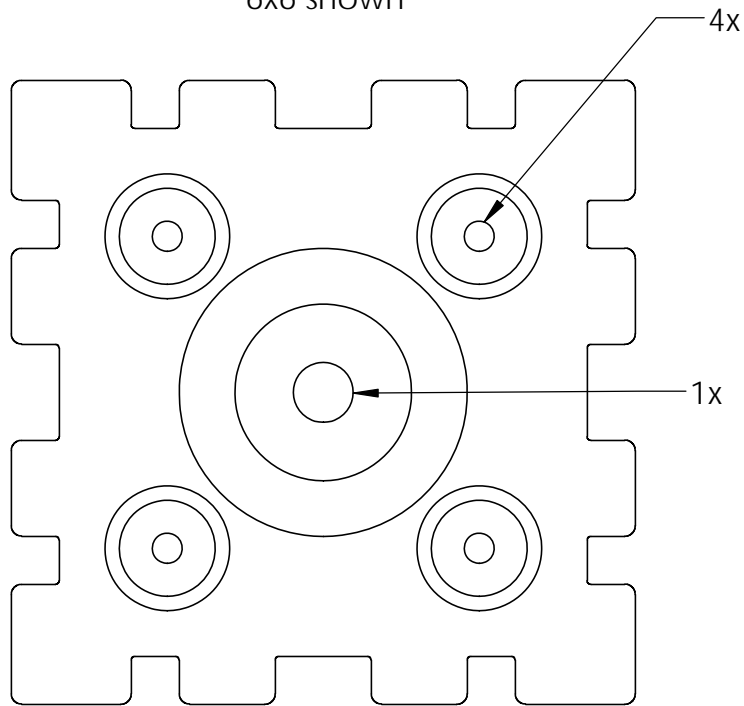
Suggested Tools
(others may be required)

Installation Instructions, Post Base

mount base to surface



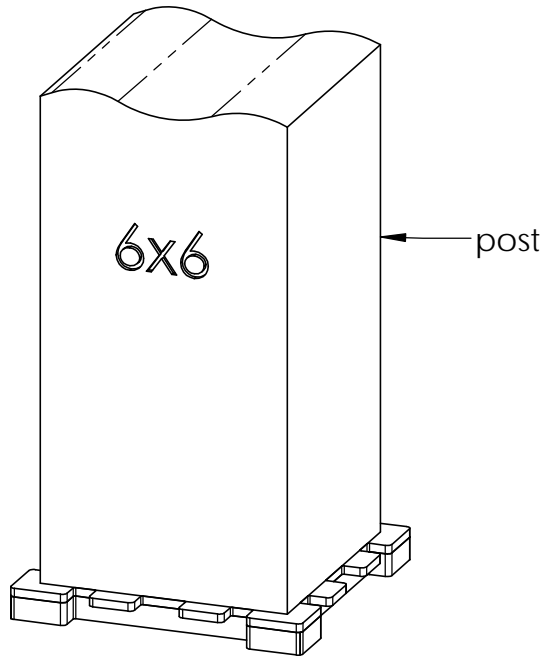
6x6 shown



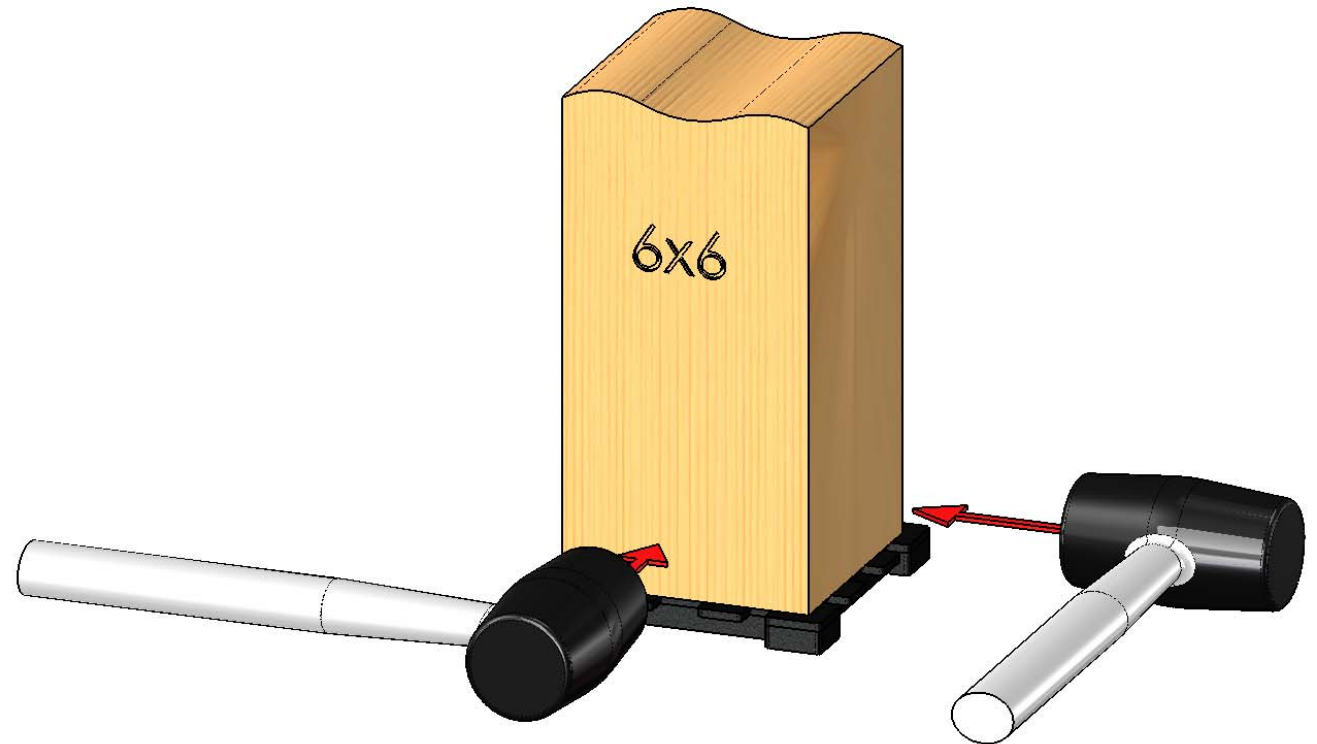
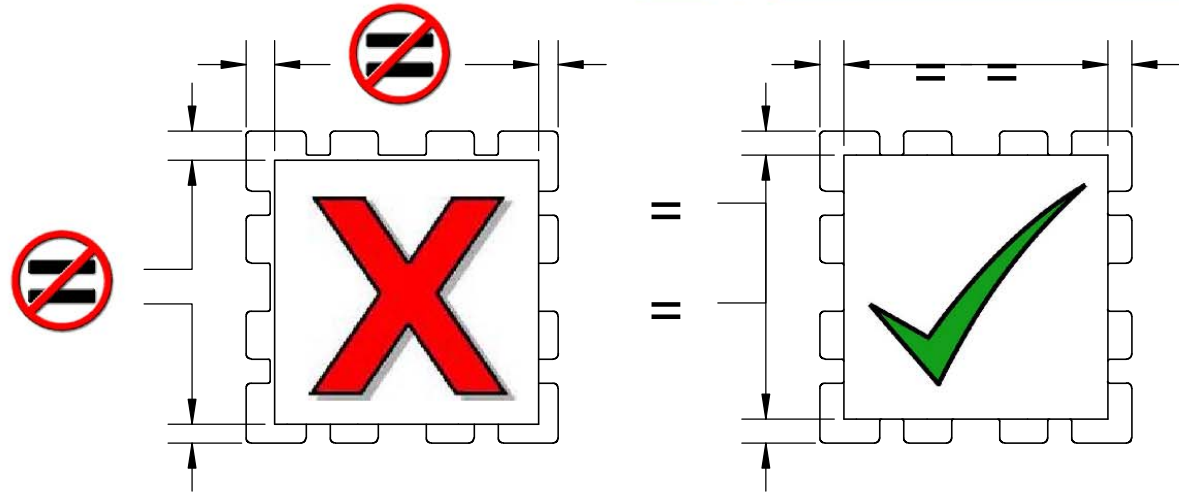
choose fastener that suits your application

step 1

Installation Instructions, Post Base

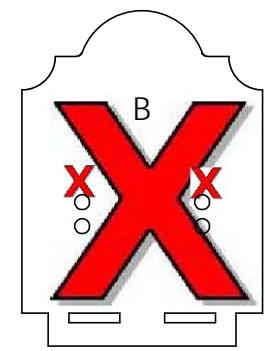
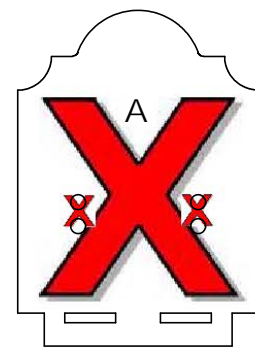
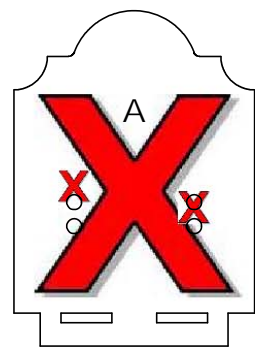
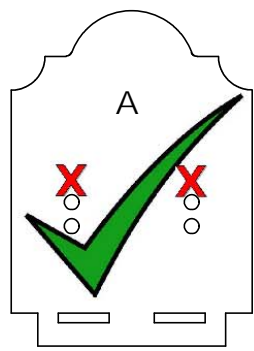
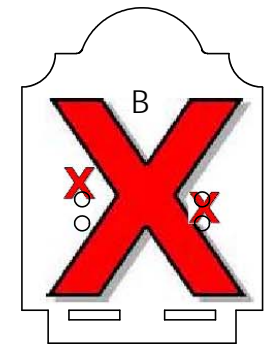
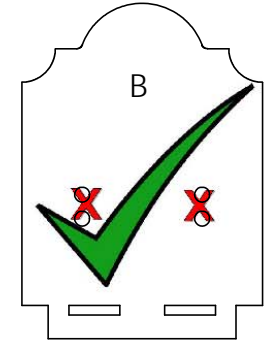
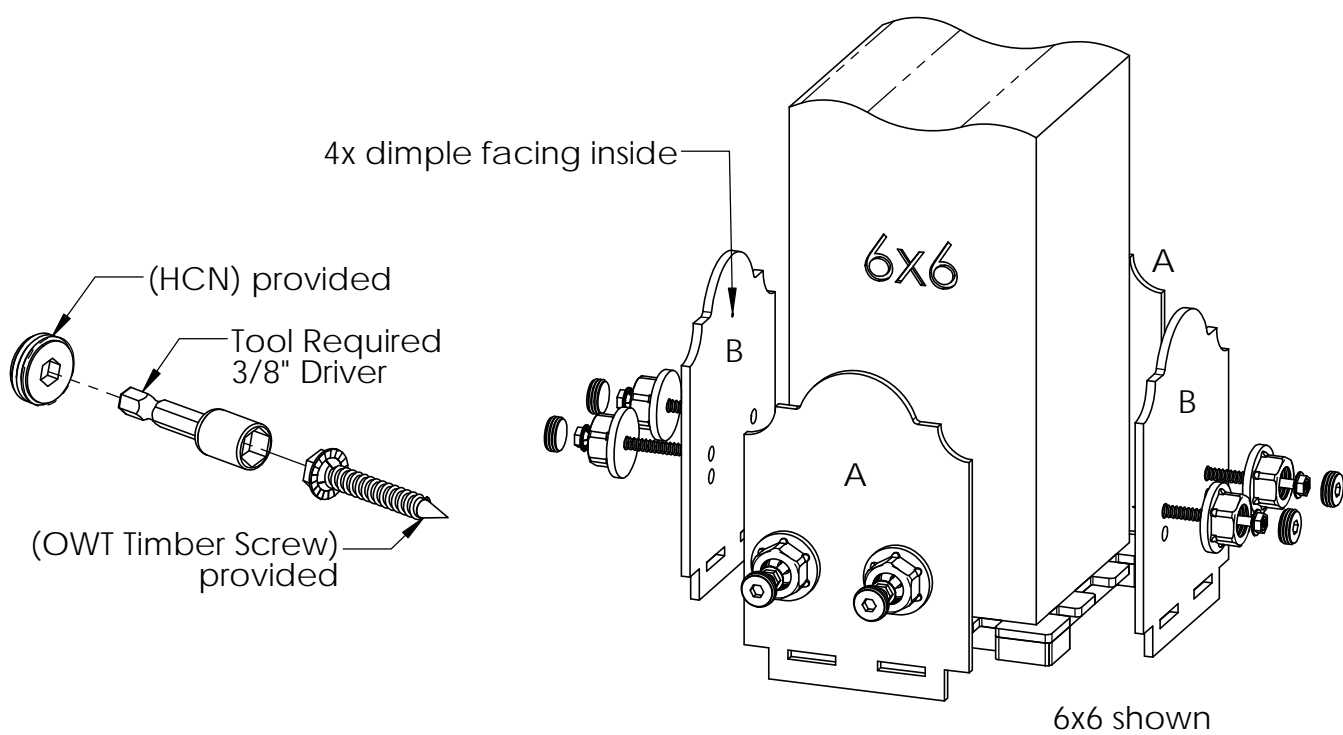


6x6 shown



step 2

Installation Instructions, Post Base

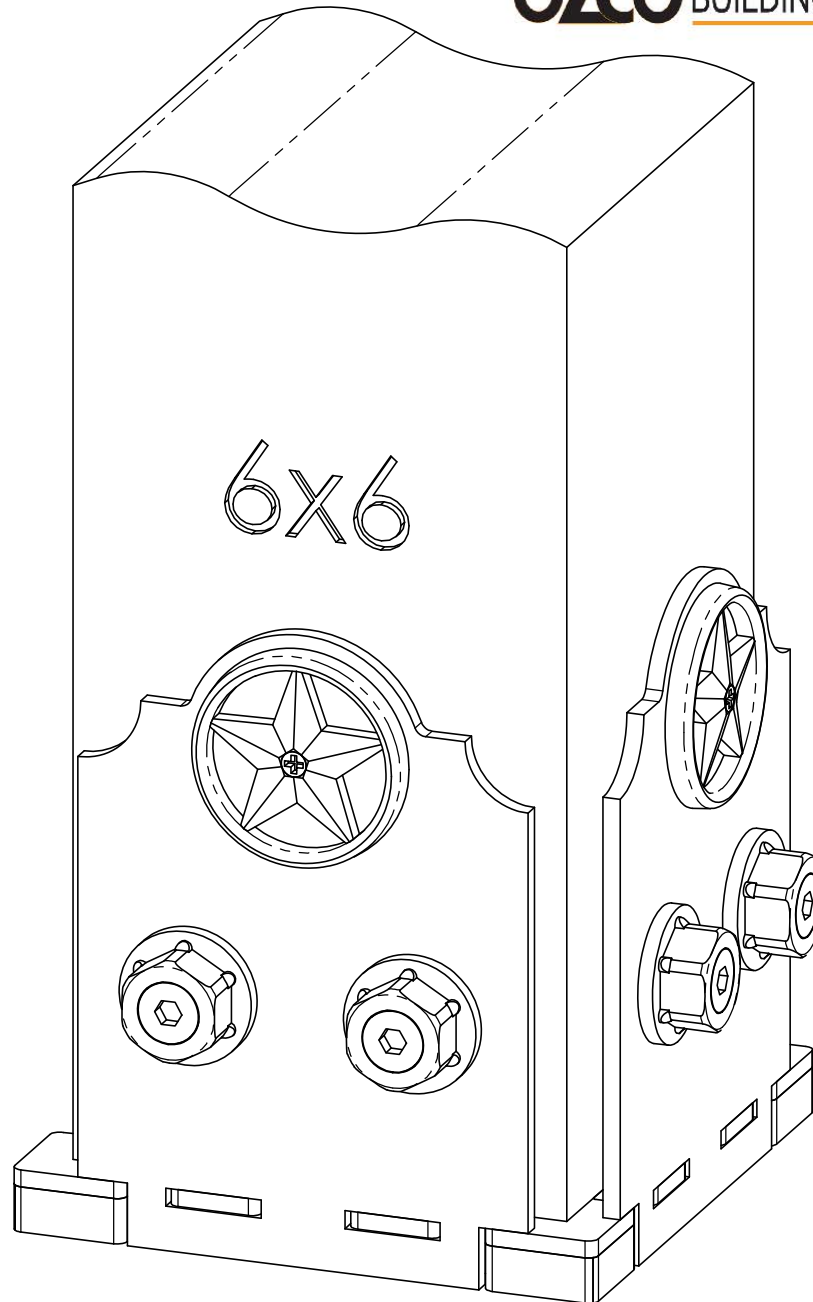
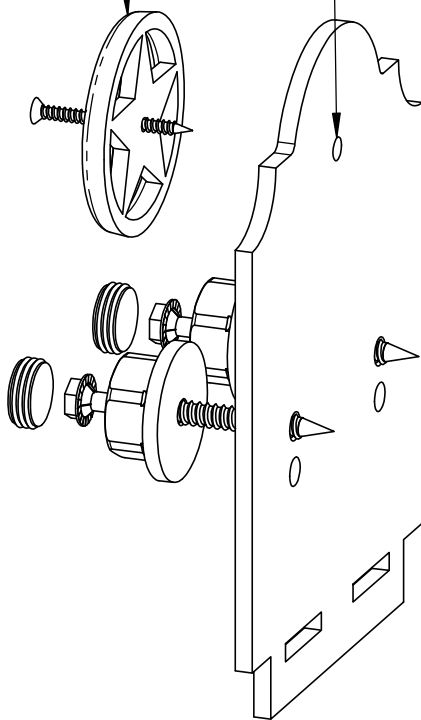


step 3

Installation Instructions, Post Base

drill out dimple per 56623
installation instructions

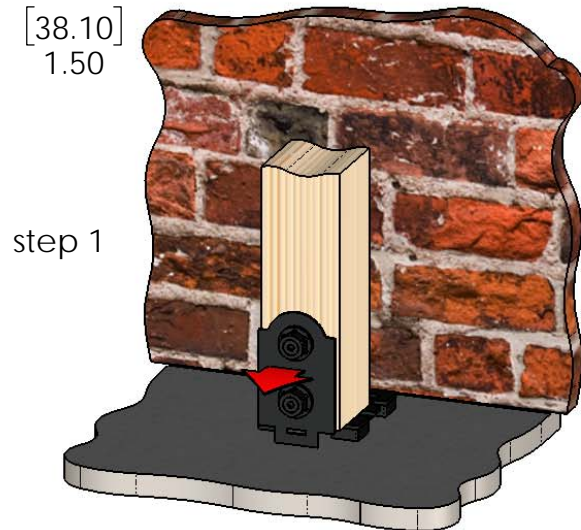
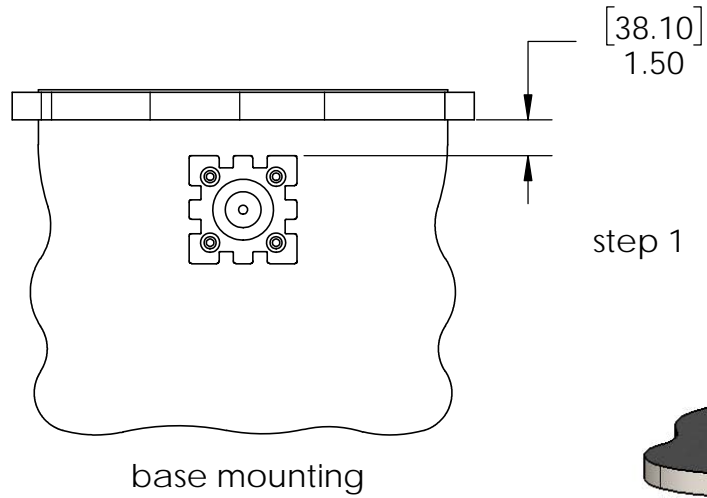
56623 option
(sold separately)



optional accessory

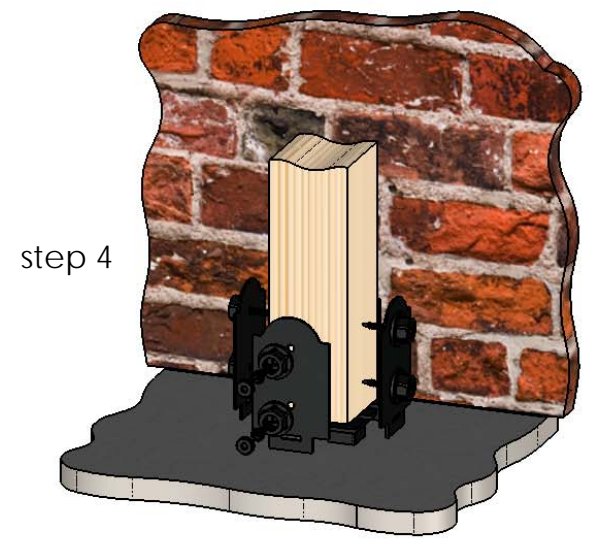
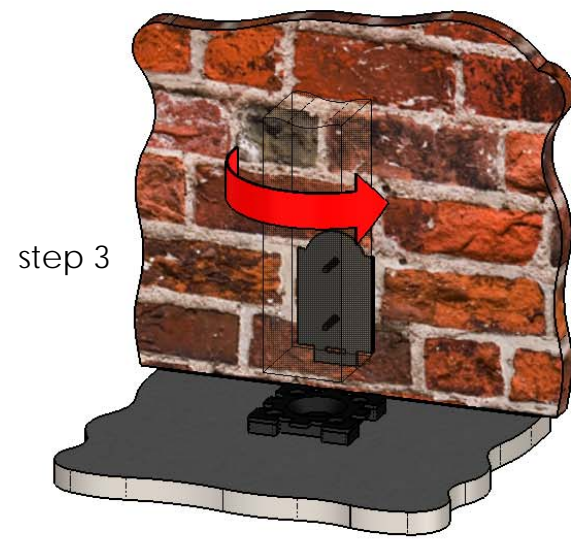
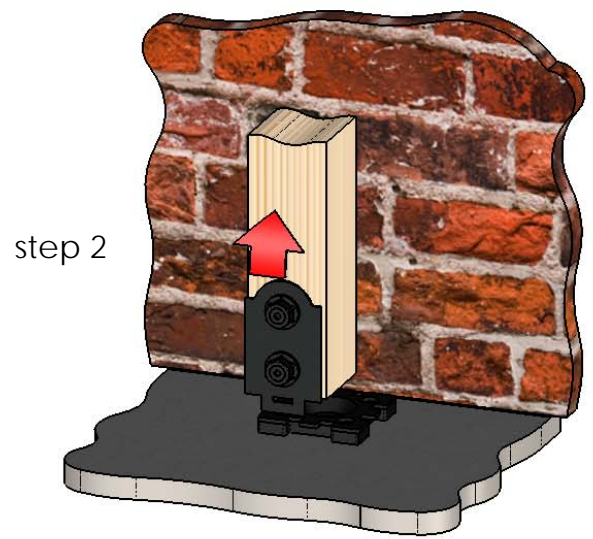
Installation Instructions, Post Base

6x6 shown



- additional instructions
- center post as shown in previous steps
 - install 1 compression plate with fasteners
 - remove, reposition & reinstall post/compression plate as shown with **plate facing wall**
 - complete assembly as shown

this procedure applies to all OZCO Post Bases & Post Anchors utilizing compression plates (56607 shown)



Special Instructions-mounting next to wall

4x4 shown