

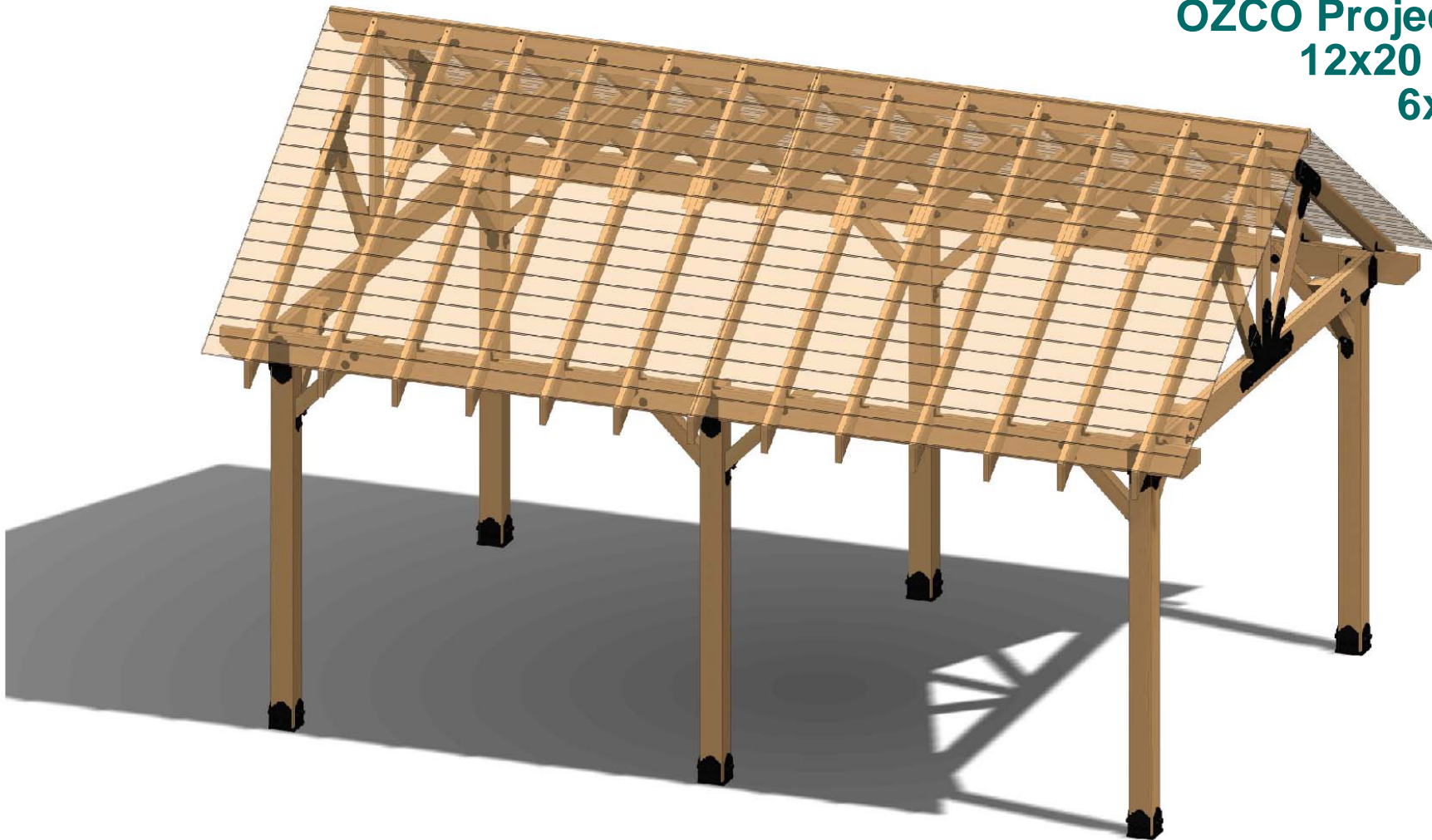
DESIGN

PURCHASE

CONSTRUCT

ENJOY

**OZCO Project #216 -
12x20 Pavilion
6x6 Posts**



roofing shown translucent for clarity

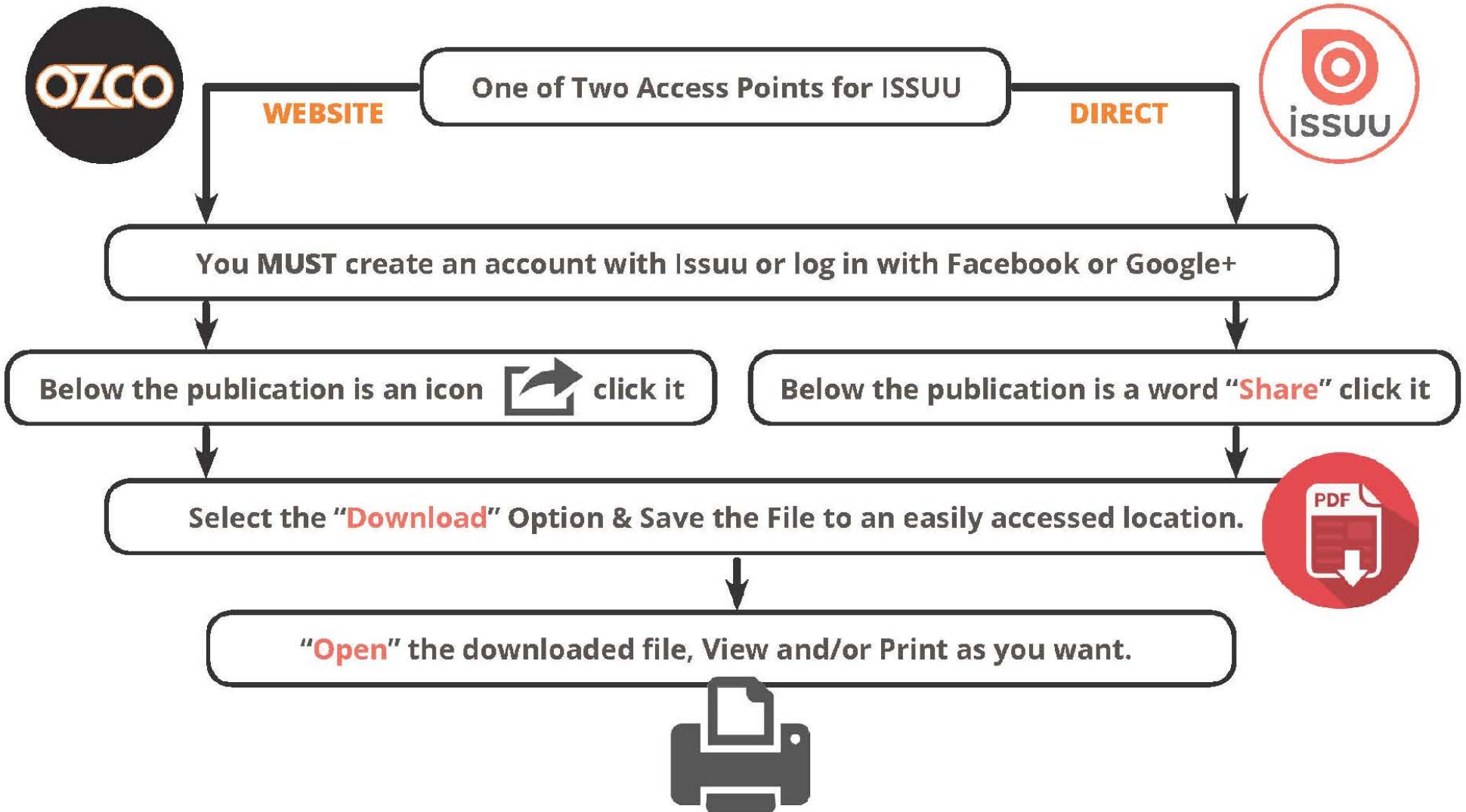


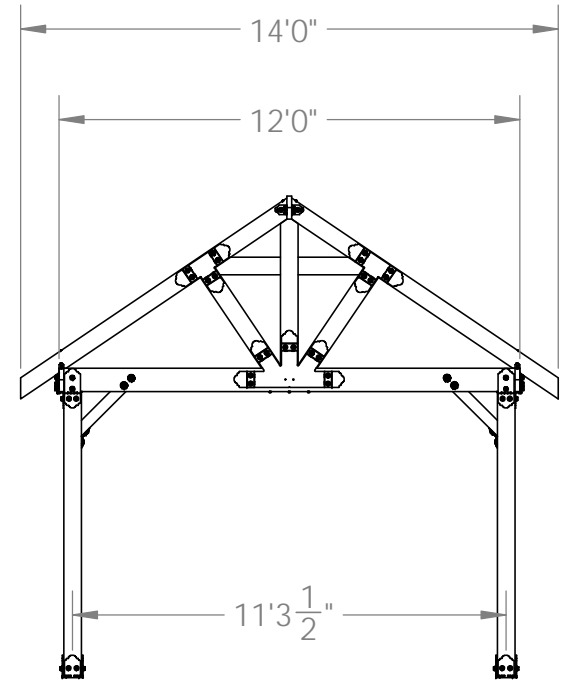
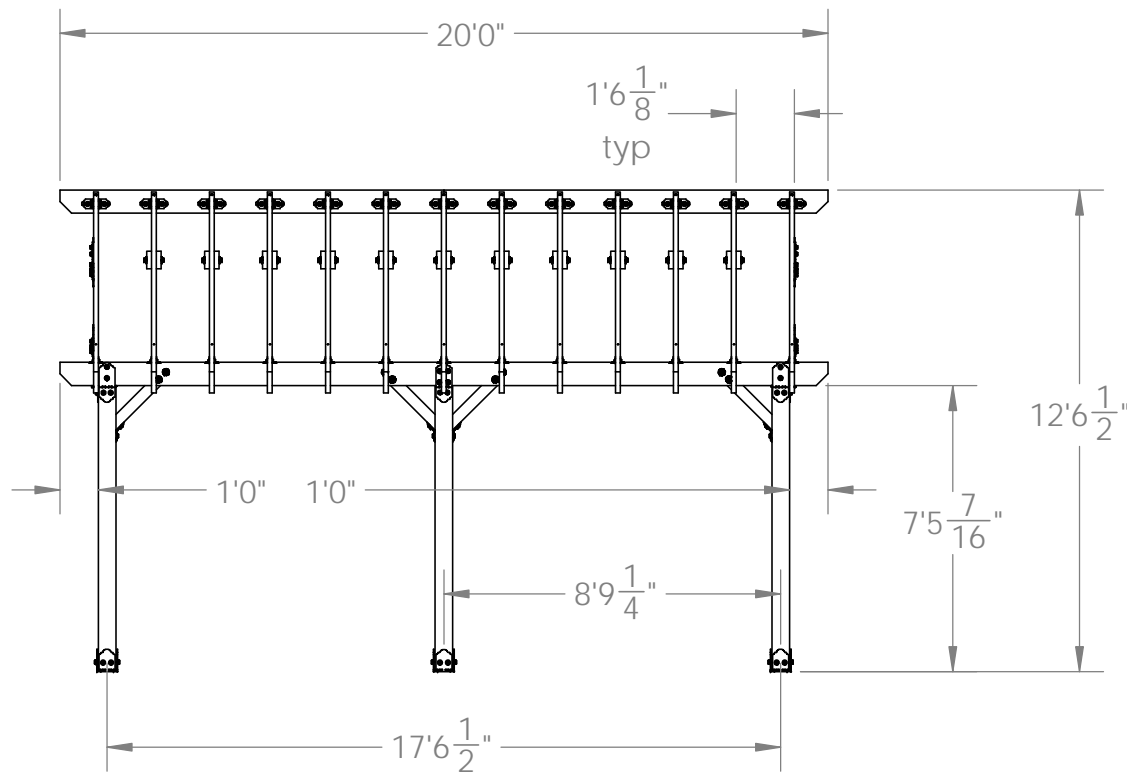
OZCO BUILDING PRODUCTS



Printing Documents from ISSUU

Unfortunately, there is currently no way to print content directly through issuu. To print a publication, you will need to download it and print it from your computer.



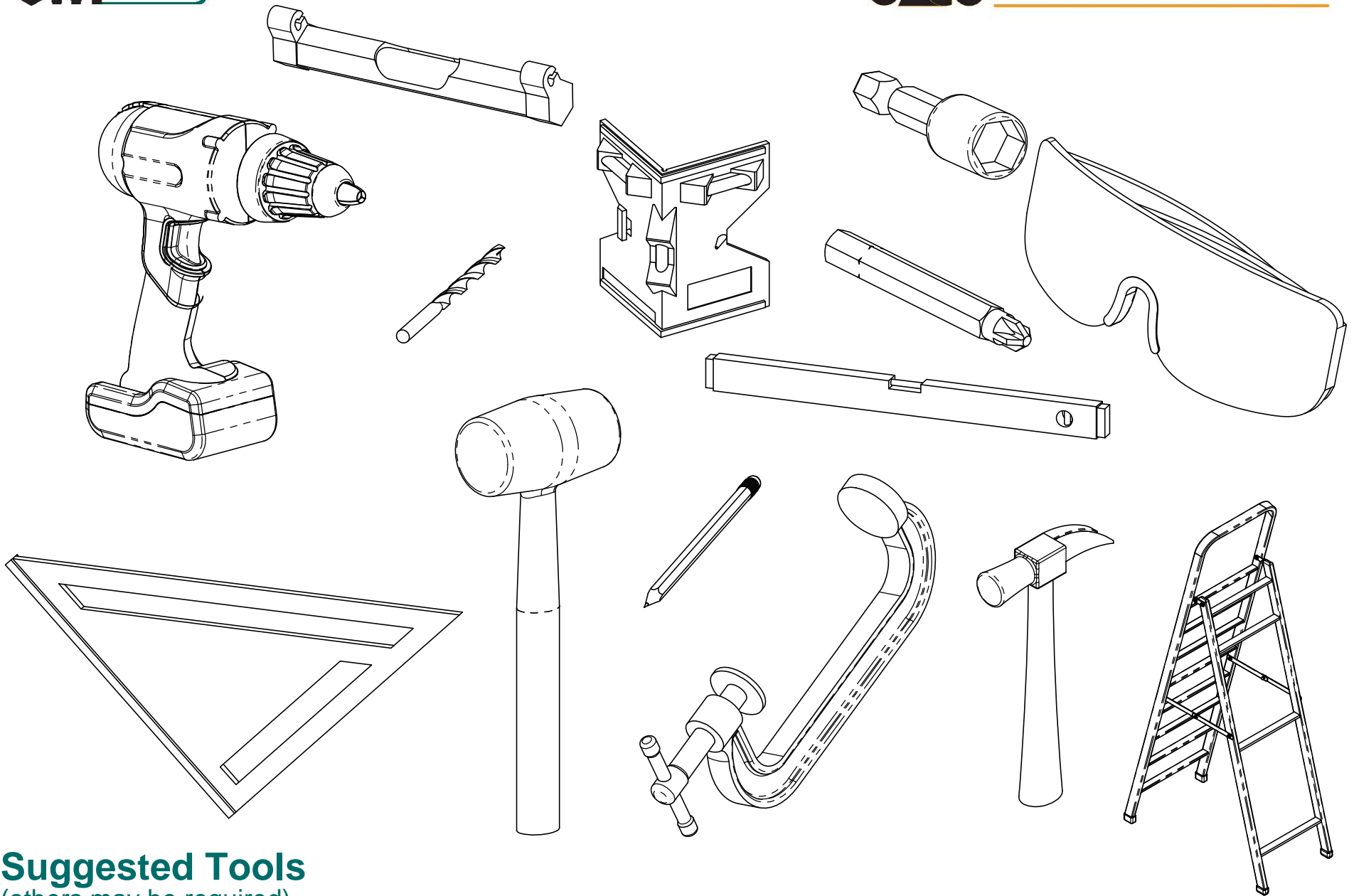


shown without roofing for clarity

OZCO Project #216 - 12x20 Pavilion w 6x6 Posts

Pavilion Overview

V2.00 - Installation Instructions, Specifications and Project Plans are effective 2/21/2017. This information is updated periodically and should not be relied upon after 2 years from 2/21/2017. Please visit OZCOBP.com to get current information.

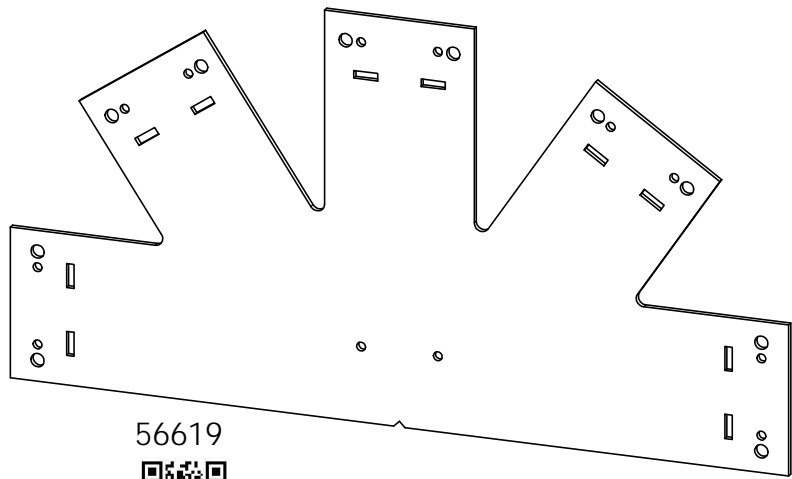


Suggested Tools

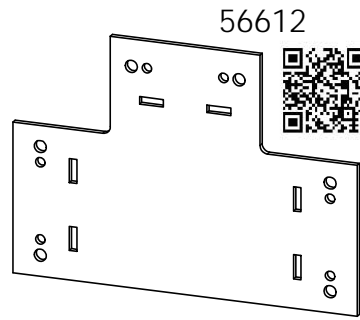
(others may be required)

QTY.	PART NUMBER	DESCRIPTION
6	56608	6x6 Post Base (6x6-PB-LS)
4	56636	Post to Beam Bolt Offset (P2B-BO-LS)
1	56677	8" Post to Beam Coupler (P2B-SB-LS)
3	56668	4" Flush Inside 45 (FI45-LS-4)
24	56650	OWT Timber Bolt 6-8"
15	56680	2" Timber Bolt Heavy Duty Washer (OWT-TBW-2)
2	56619	Truss Base Fan 8:12
11	56611	Truss Accent (TA-LS)
2	56625	OWT Timber Screw 1-3/4"
2	56612	"T" Tie Plate (TTP)
11	56649	OWT Timber Bolt 4-6"
6	56617	2" Standard Rafter Clip (RC-LS-2)
6	56618	4" Standard Rafter Clip (RC-LS-4)
2	56627	OWT Timber Screw 3-3/4"
1	56647	OWT Timber Screw 10"
2	56629	OWT Timber Screw 7-1/2"
6	6x6x8L	6x6x8
3	4x4x10L	4x4x10
4	2x8x12L	2x8x12
10	2x8x10L	2x8x10
1	2x6x8L	2x6x8
1	2x6x16L	2x6x16
26	2x6x10L	2x6x10
22	2x6x6L	2x6x6

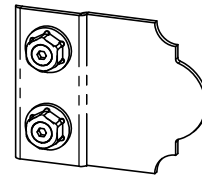
Material List



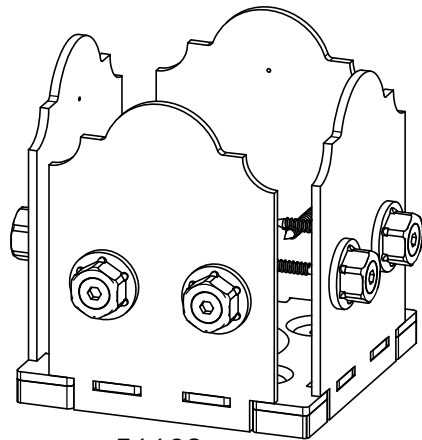
56619



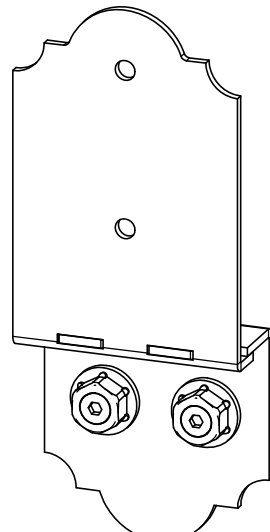
56612



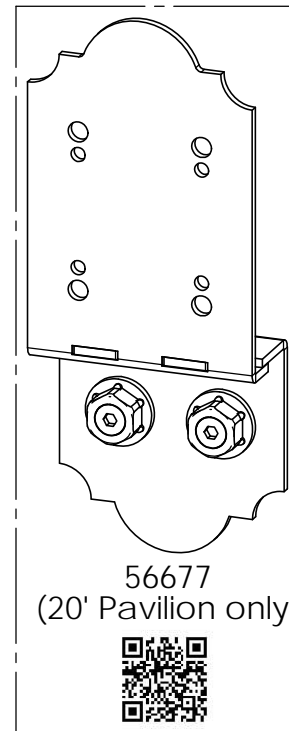
56611



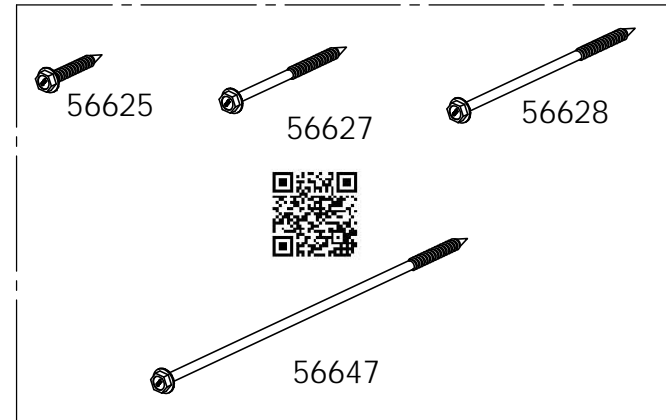
56608



56636



56677
(20' Pavilion only)



56625

56627

56628



56647

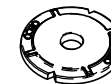
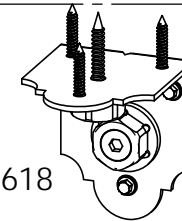


56650

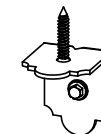
56649



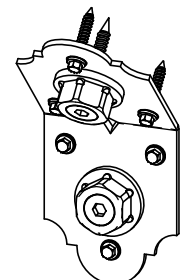
56618



56680



56617



56668



OZCO

Scan QR barcode with smartphone for quick access to product installation instructions

Pavilion OZCO

Laredo Sunset & Ironwood

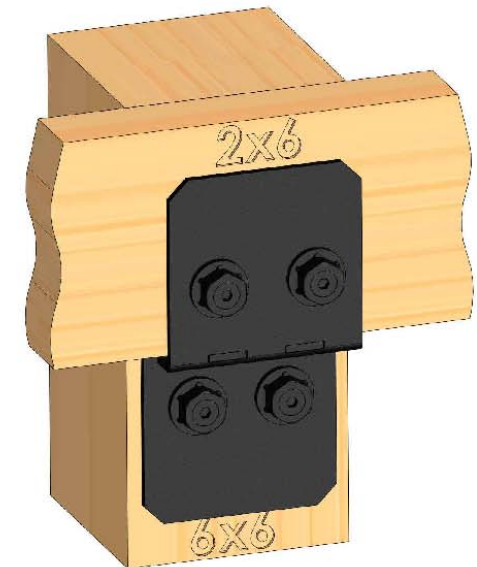


Laredo Sunset
(566XX series)

2 great styles
Same functionality

choose your
connection lifestyle

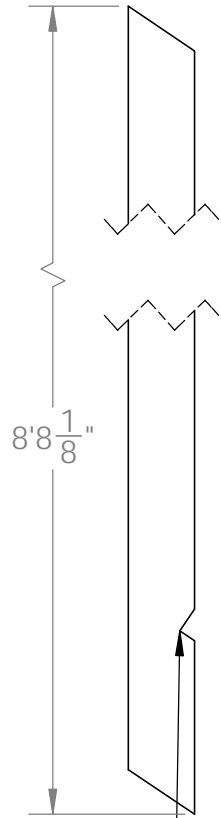
both styles available for
most products



Ironwood
(517XX series)

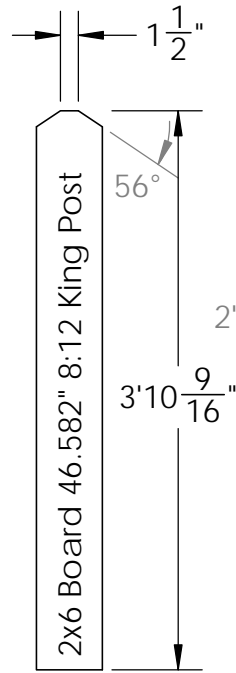
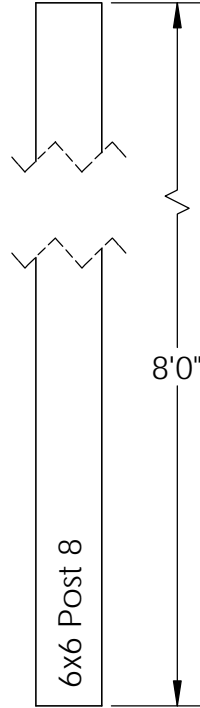
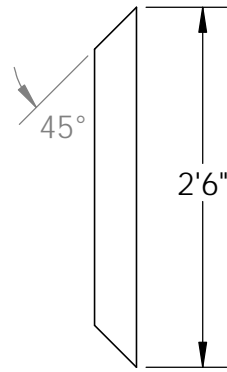


2x6 Board 100.13" 8:12 Rafter cut

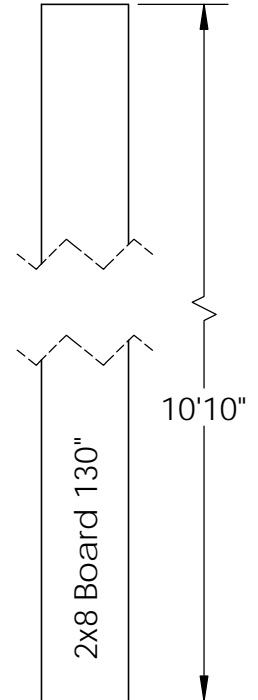
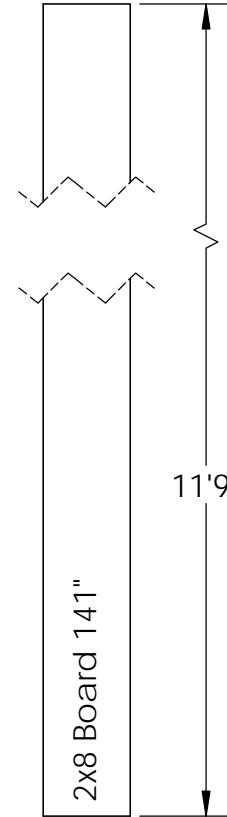
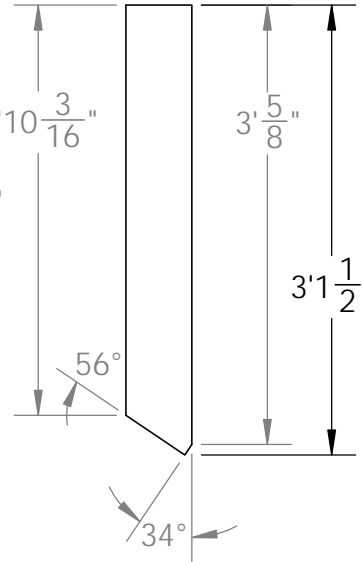


see Birds Foot template

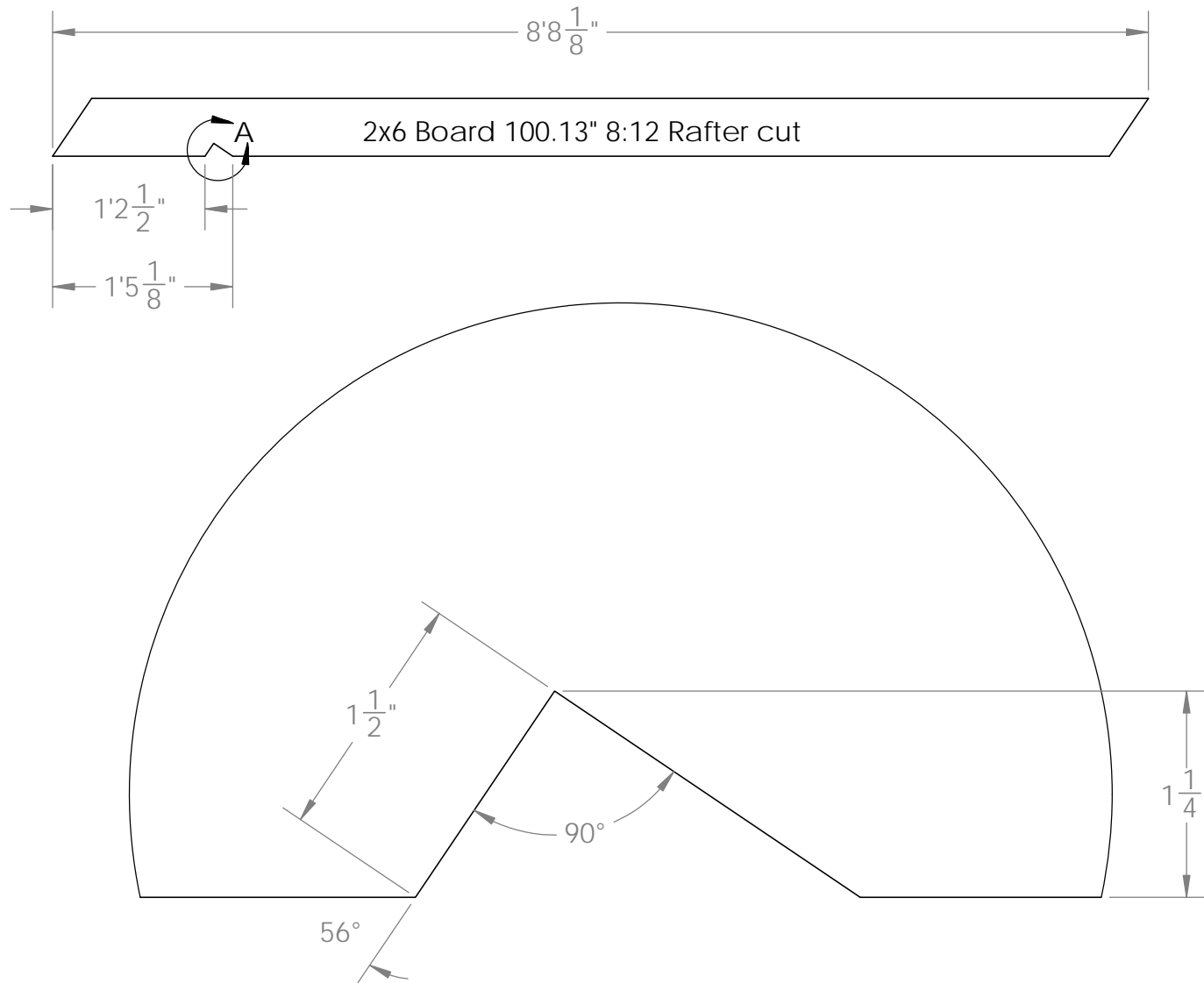
4x4 Post 30" with Beauty cut removed



2x6 Board 37.5" 8:12 Web cut

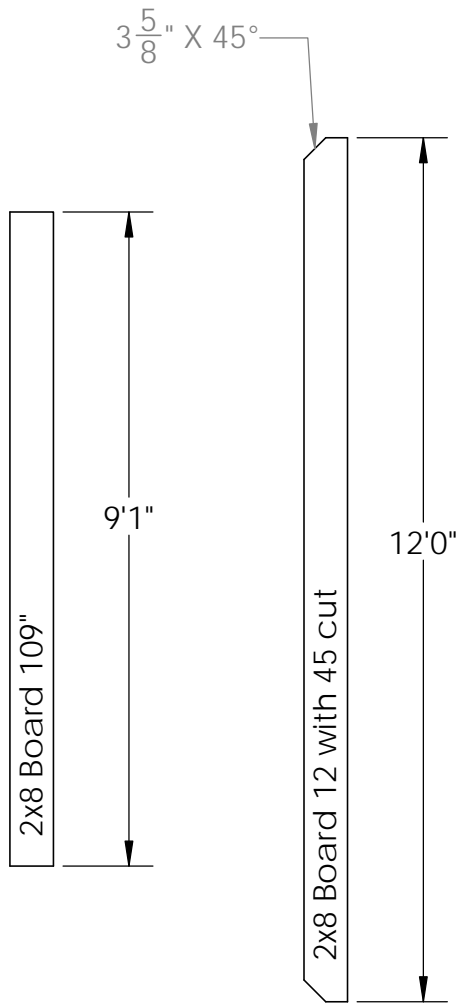


12x(length) Pavilion cut list: common to all 12' wide Pavilions

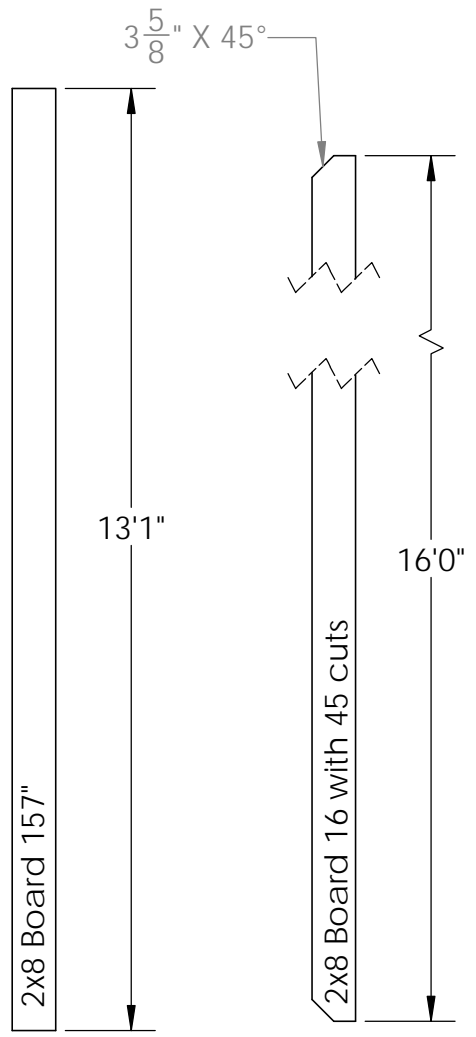


Birds Foot 1:1 template

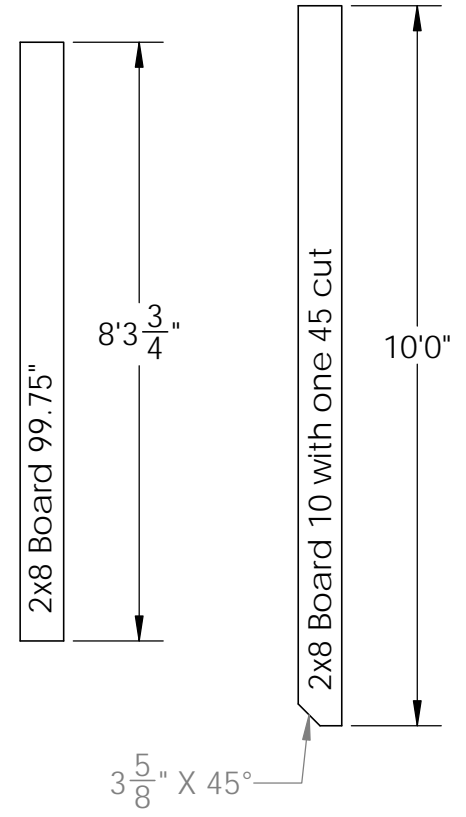
Pavilion Cutlist 12



12x12

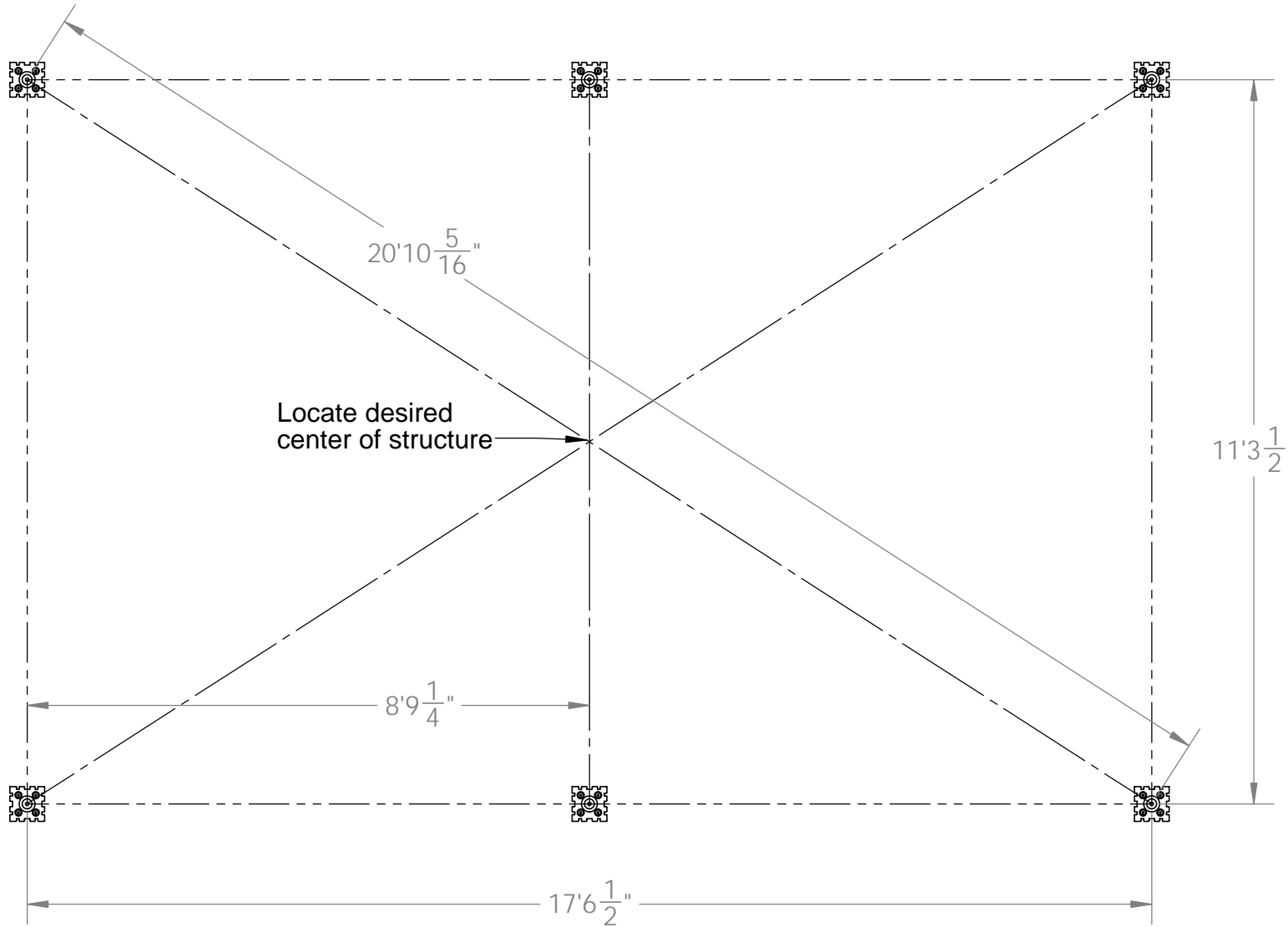


12x16



12x20

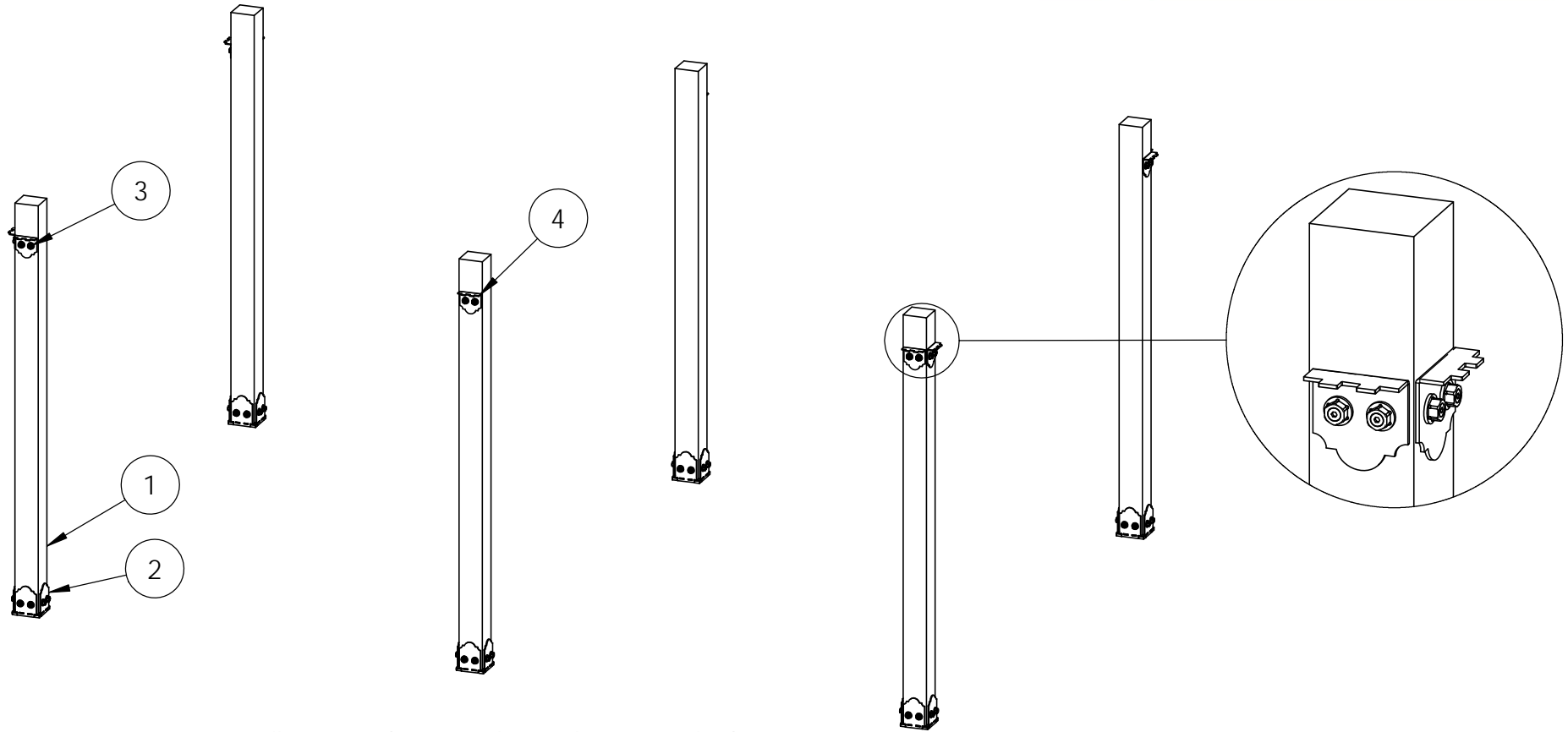
12x(length) Pavilion cut list: 2x8 length wise boards



if site is not level, see Ozco Site Leveling instruction



Site Plan - OZCO Project #216 - 12x20 Pavilion w 6x6 Posts



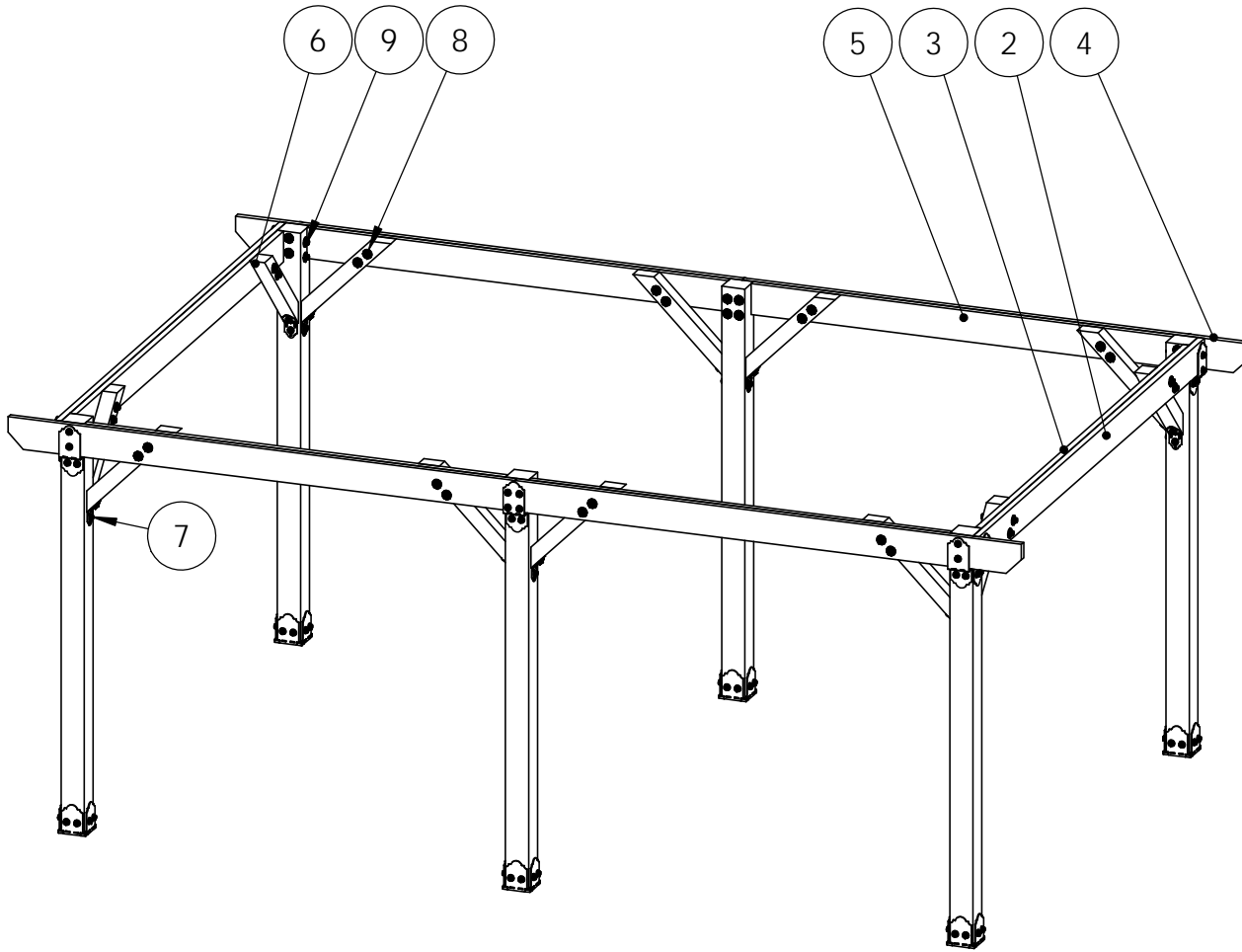
note: all post to beams share the same ledge

ITEM NO.	QTY.	PART NUMBER	DESCRIPTION
1	6	6x6 Post	6x6x8'0"
2	6	56608	6x6 Post Base Kit (6X6-PB-LS)
3	8	56636	Post to Beam Bolt Offset (P2B-BO-LS)
4	1	56677	8" Post to Beam Coupler (P2B-SB-LS)

OZCO Project #216 - 12x20 Pavilion w 6x6 Posts ledge

Pavilion Base

V2.00 - Installation Instructions, Specifications and Project Plans are effective 2/21/2017 . This information is updated periodically and should not be relied upon after 2 years from 2/21/2017 . Please visit OZCOBP.com to get current information.



ITEM NO.	QTY.	PART NUMBER	DESCRIPTION
1	1	Pavilion Base	OZCO Project #216 - 12x20 Pavilion w 6x6 Posts
2	2	2x8 Board	2x8x11'9"
3	2	2x8 Board	2x8x10'10"
4	4	2x8 Board	2x8x10'0"
5	4	2x8 Board	2x8x8'3 3/4"
6	12	4x4 Post	4x4x2'6"
7	3	56668	4" Flush Inside 45 (FI45-LS-4)
8	12	56650	OWT Timber Bolt 6-8"
	12	56680	2" Timber Bolt Heavy Duty Washer (OWT-TBW-2)
9	12	56650	OWT Timber Bolt 6-8"
	4	56680	2" Timber Bolt Heavy Duty Washer (OWT-TBW-2)

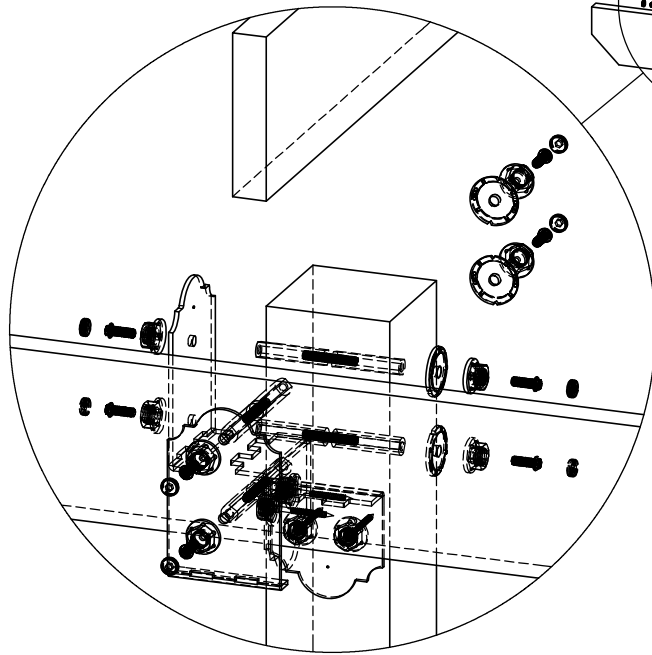
OZCO Project #216 - 12x20 Pavilion w 6x6 Posts

Pavilion Beam & Support

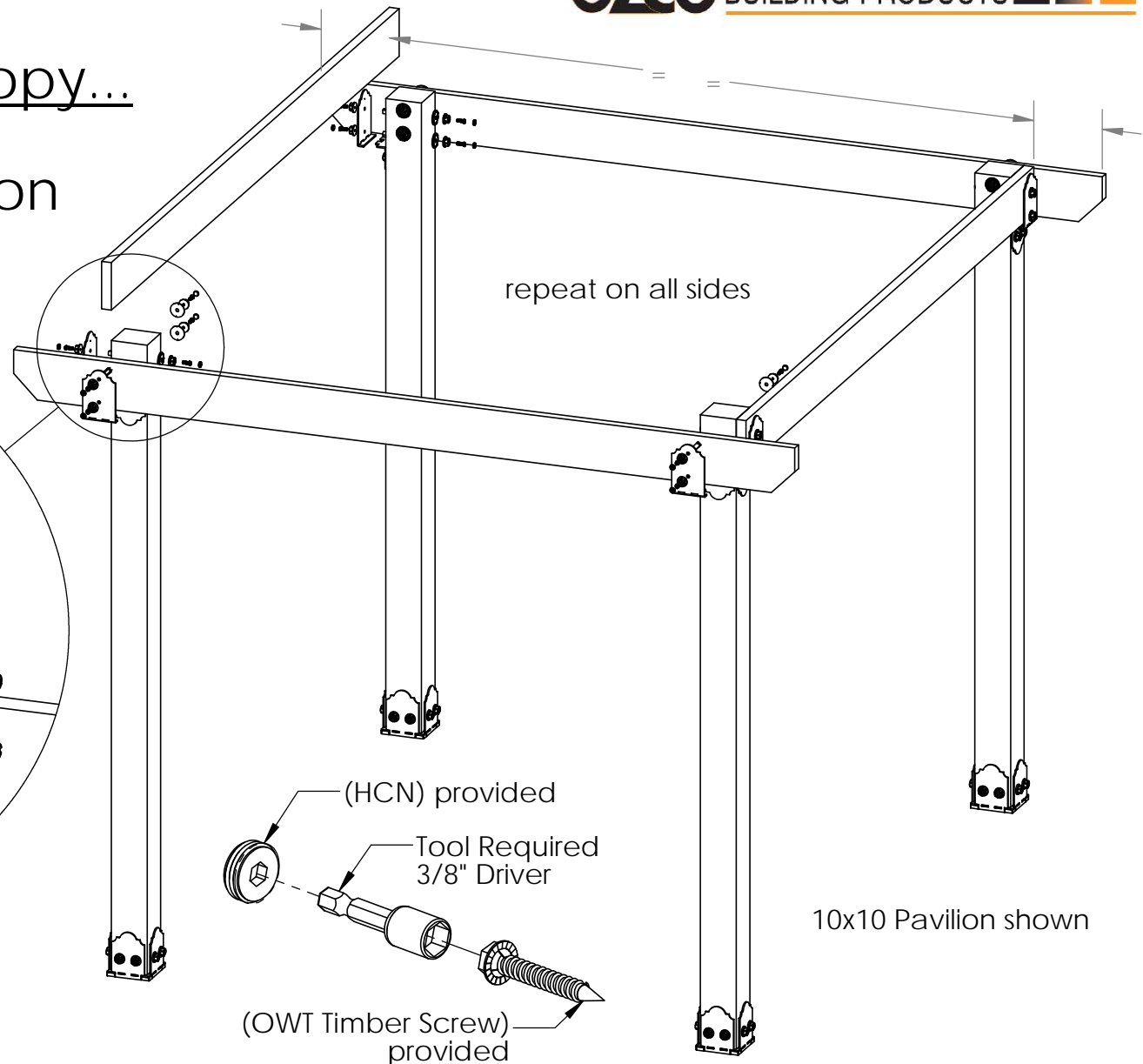
V2.00 - Installation Instructions, Specifications and Project Plans are effective 2/21/2017 . This information is updated periodically and should not be relied upon after 2 years from 2/21/2017 . Please visit OZCOBP.com to get current information.

Building your Canopy...

Simple 3 step procedure common to all size Pavilions



use this procedure for all size Pavilions (10x10 shown). same construction steps and techniques apply

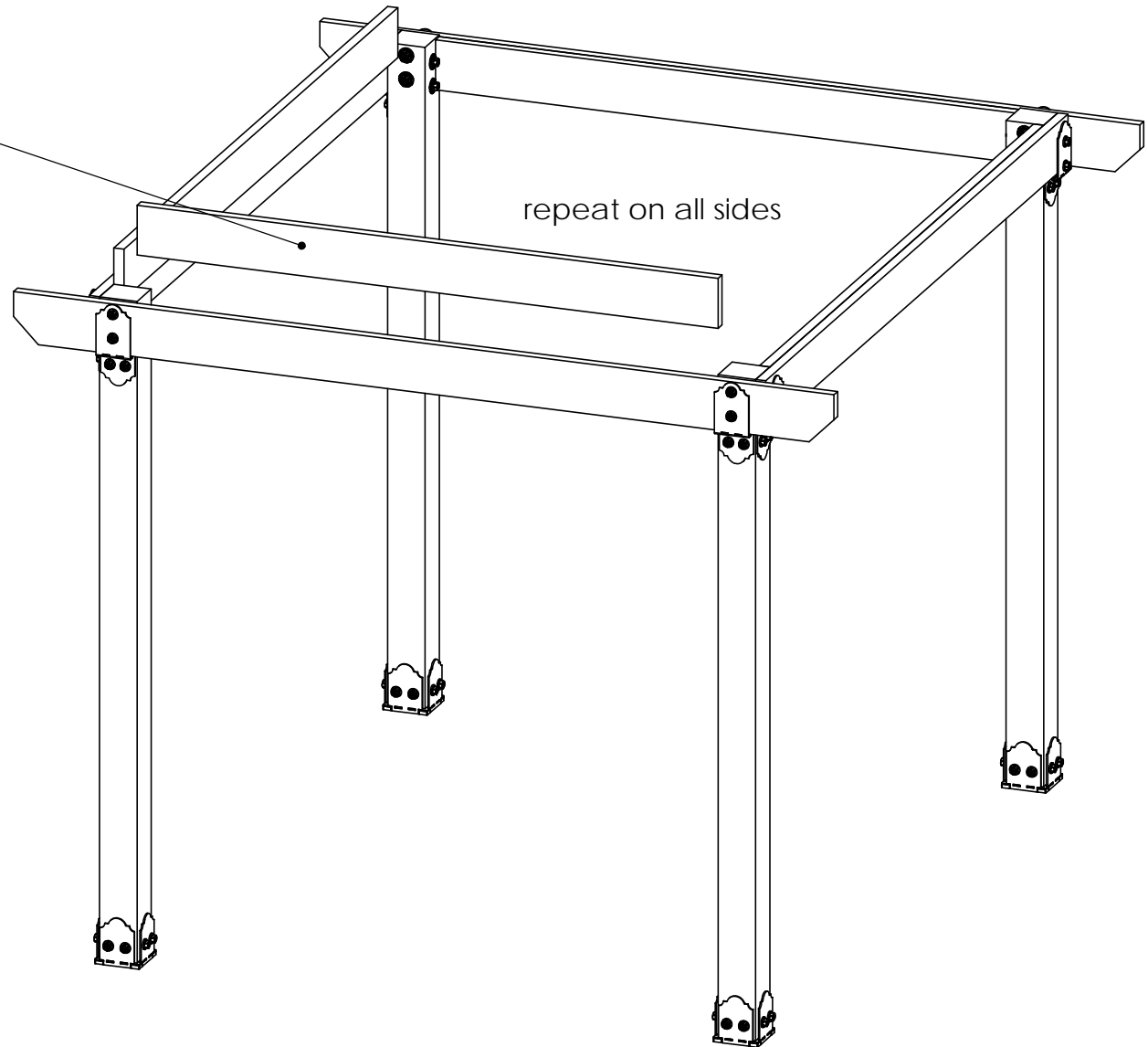


step 1 Outer Beams

Pavilion Beam & Support

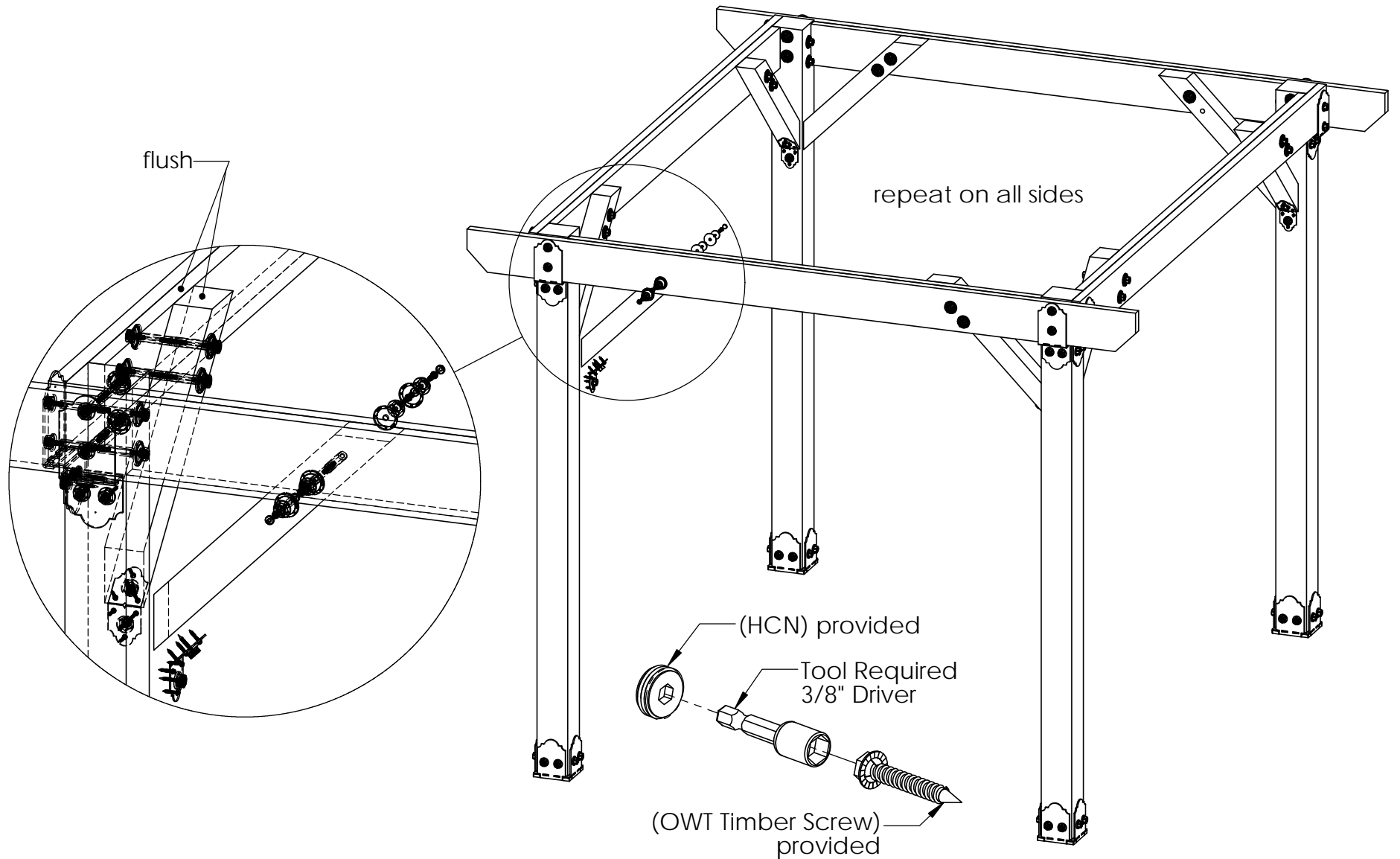
Secure with nails or screws
Repeat on all sides

for additional beam rigidity
apply polyurethane adhesive
between boards



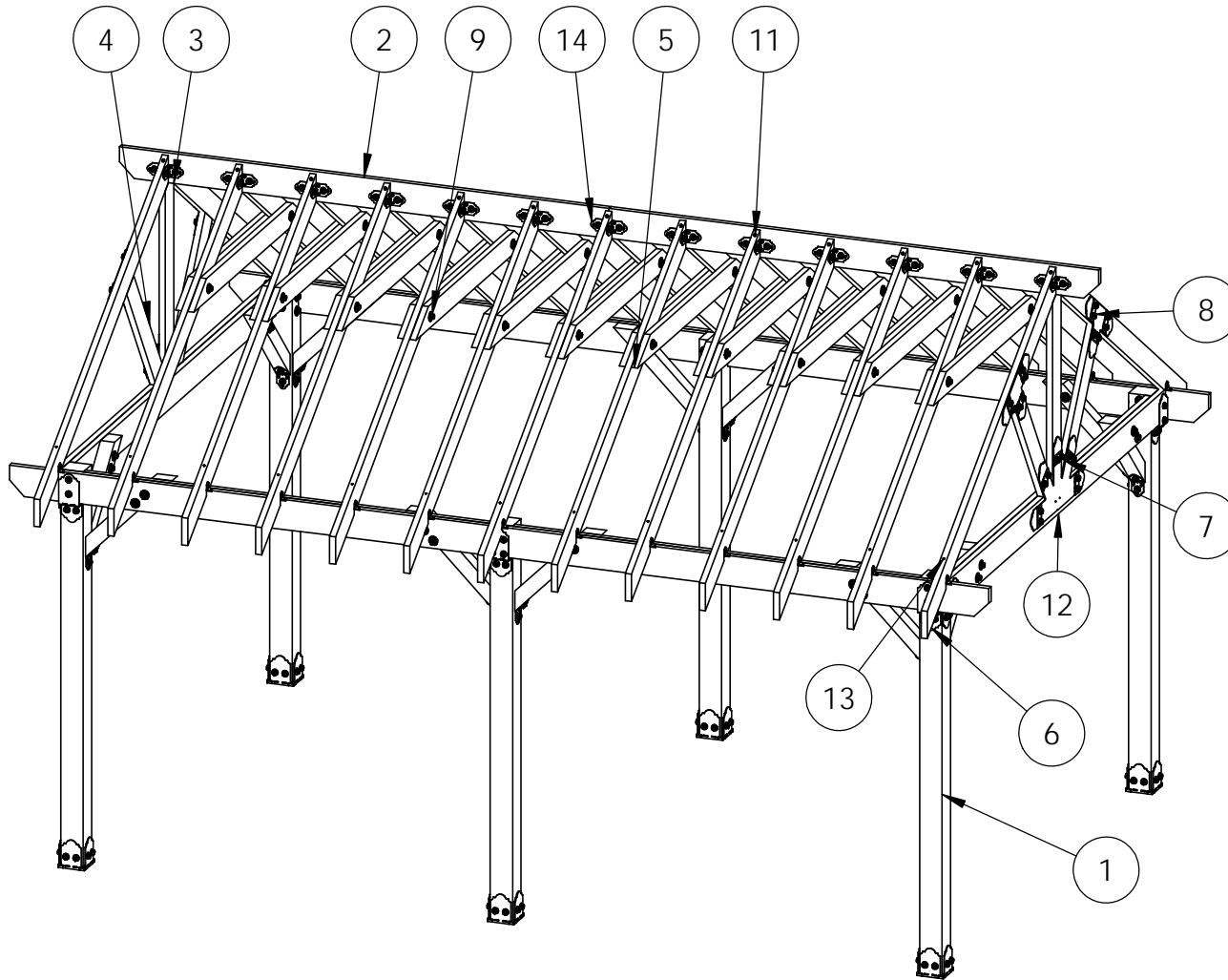
step 2 Inside Beams

Pavilion Beam & Support



step 3 Knee Braces

Pavilion Beam & Support

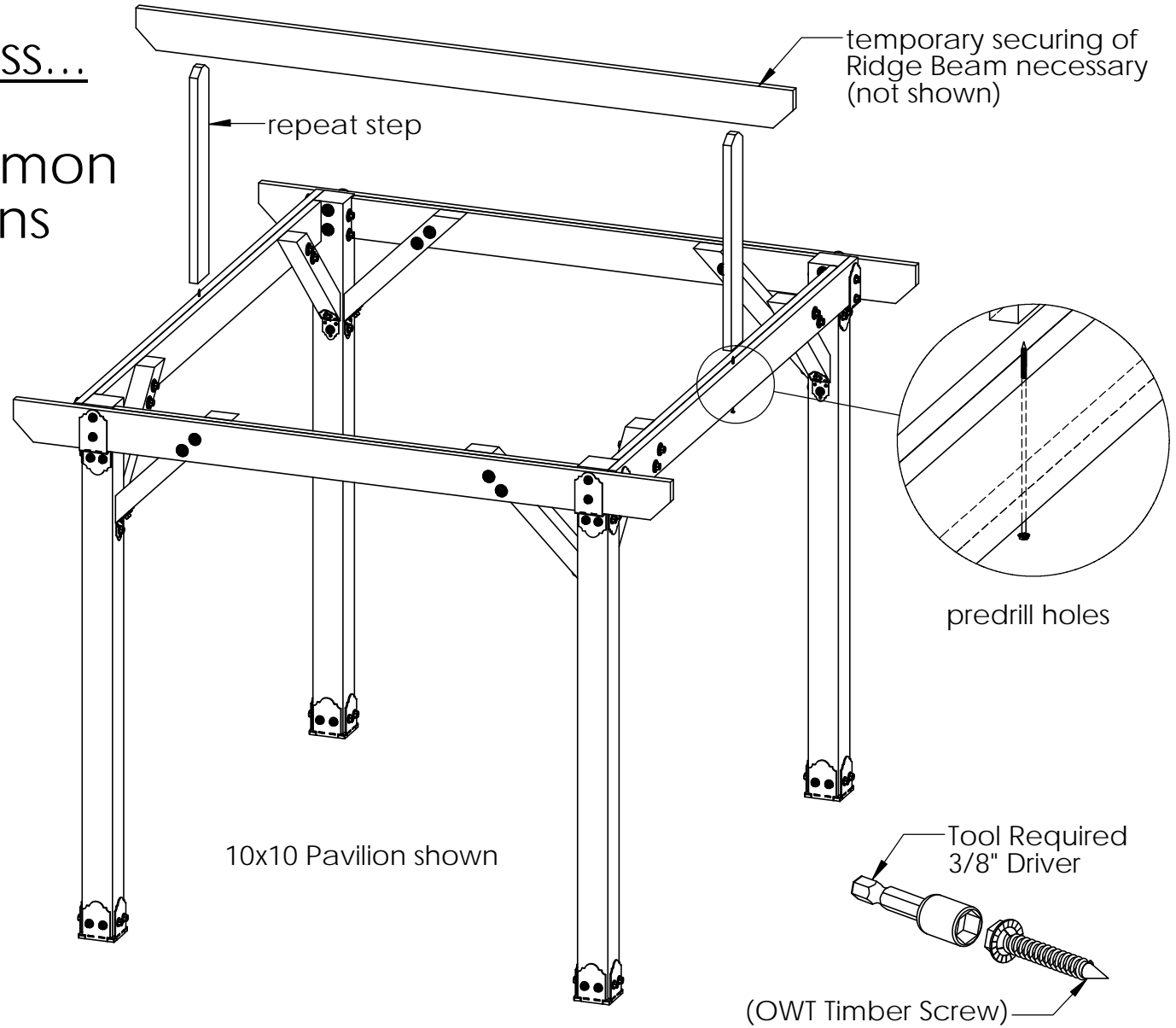


ITEM NO.	QTY.	PART NUMBER	DESCRIPTION
1	1	Pavilion Beam & Support	OZCO Project #216 - 12x20 Pavilion w 6x6 Posts
2	2	2x8 Board	2x8x10'0"
3	2	2x6 Board	2x6x3'10 9/16"
4	4	2x6 Board	2x6x3'1 1/2"
5	22	2x6 Board	2x6x6'0"
6	26	2x6 Board	2x6x10'0"
7	2	56619	Truss Base Fan 8:12
	5	56611	Truss Accent (TA-LS)
	1	56625	OWT Timber Screw 1-3/4"
8	2	56612	"1" Tie Plate (TTP)
	6	56611	Truss Accent (TA-LS)
	1	56625	OWT Timber Screw 1-3/4"
9	11	56649	OWT Timber Bolt 4-6"
	11	56680	2" Timber Bolt Heavy Duty Washer (OWT-TBW-2)
10	6	56617	2" Standard Rafter Clip (RC-LS-2)
11	2	56627	OWT Timber Screw 3-3/4"
12	1	56647	OWT Timber Screw 10"
13	2	56629	OWT Timber Screw 7-1/2"
14	6	56618	4" Standard Rafter Clips (RC-LS-4)

OZCO Project #216 - 12x20 Pavilion w 6x6 Posts

Pavilion Truss 12

Building your Truss... Simple 7 step procedure common to all size Pavilions

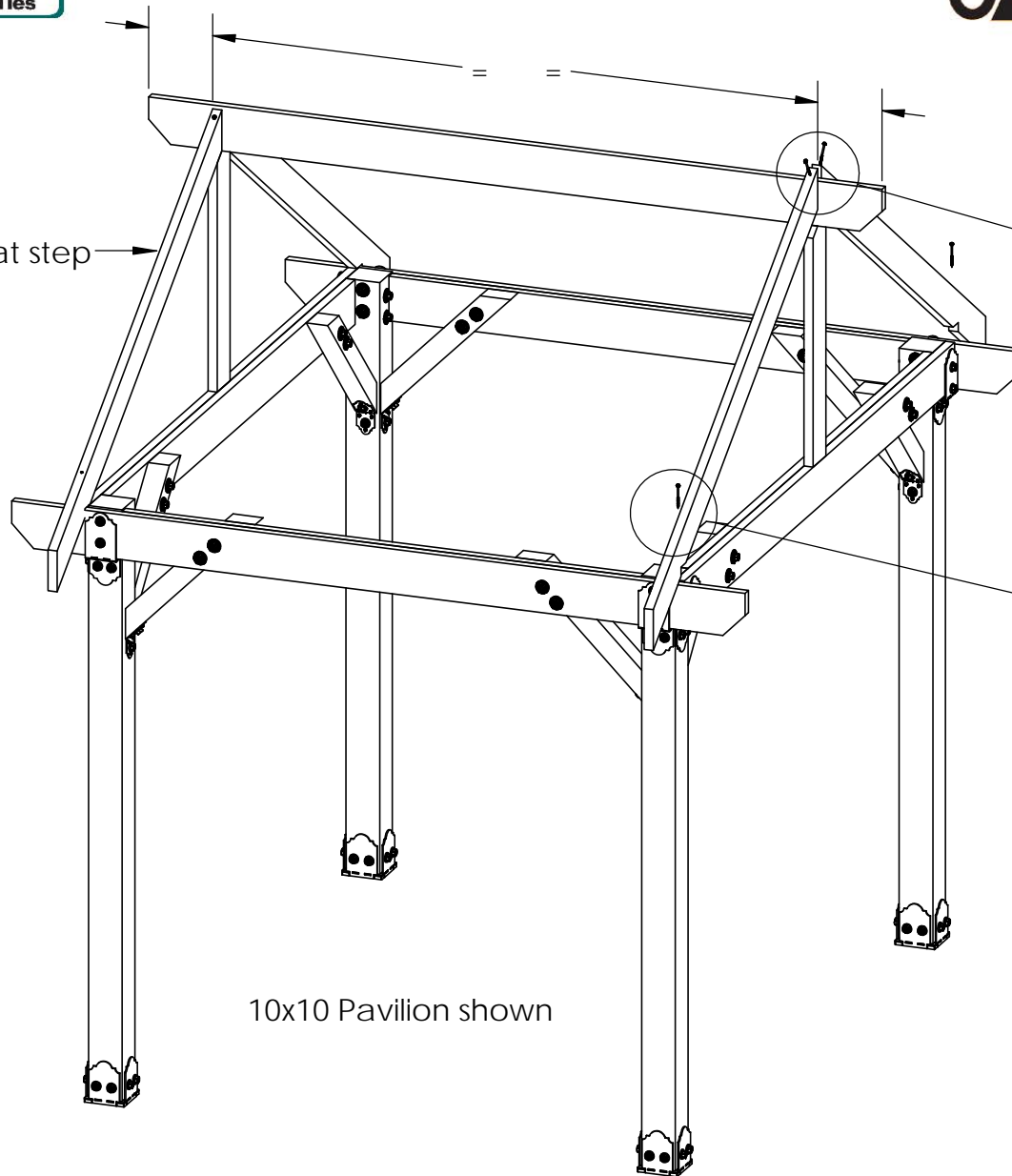


use this procedure for all size Pavilions (10x10 shown). same construction steps and techniques apply

step 1

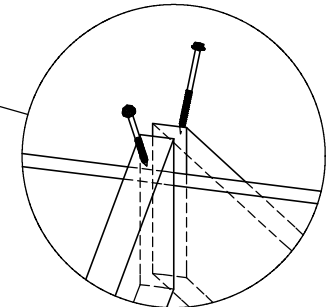
Pavilion Truss 10

repeat step

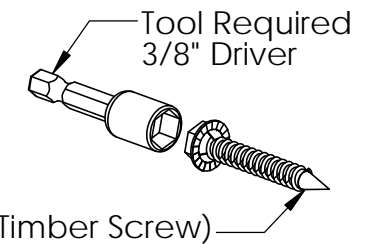
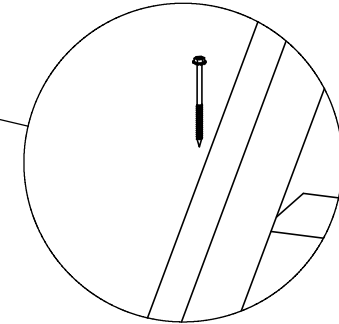


10x10 Pavilion shown

tip: rafter screw heads might interfere with roofing. secure flush/below rafter or modify roofing material as needed.



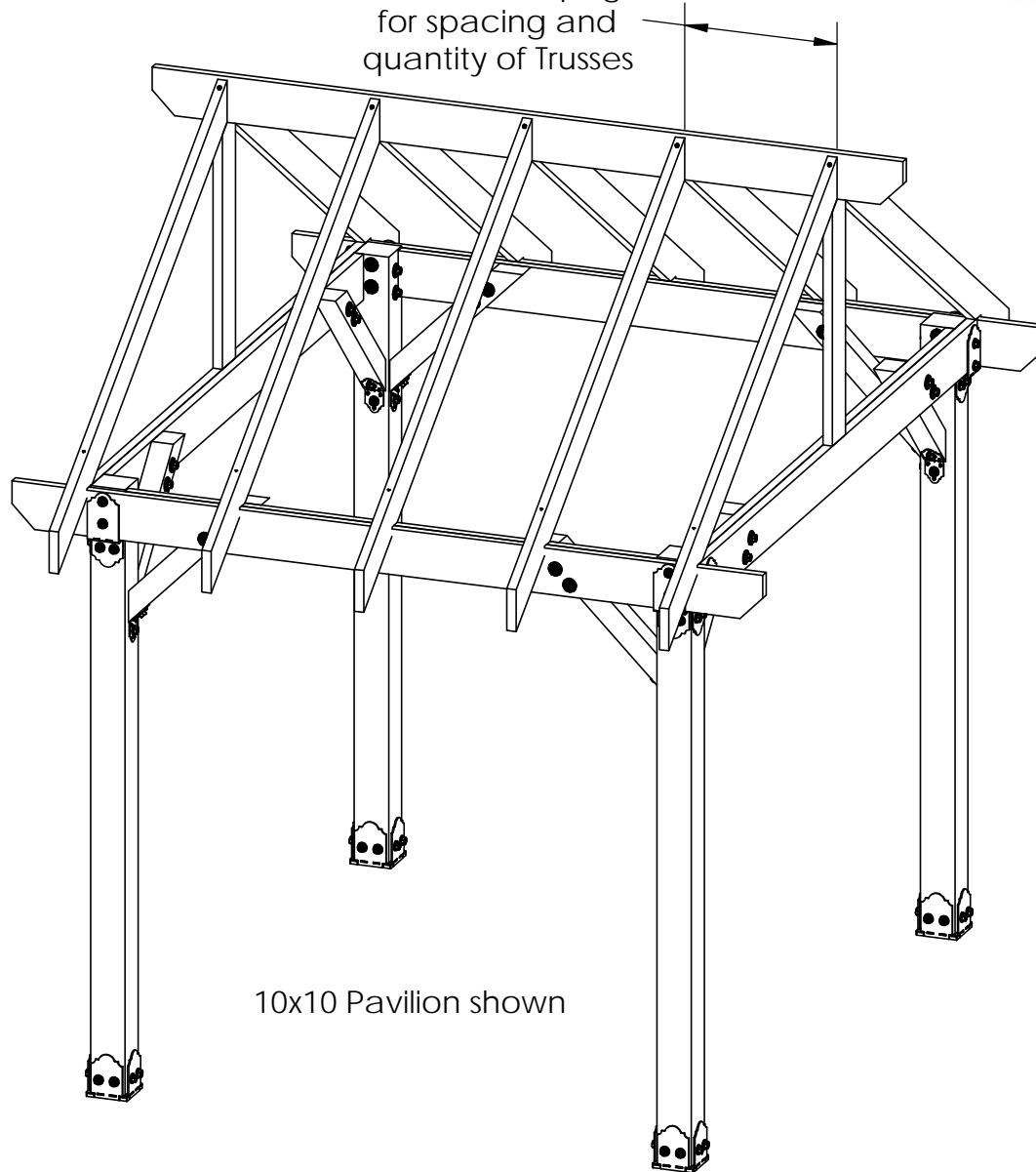
predrill holes



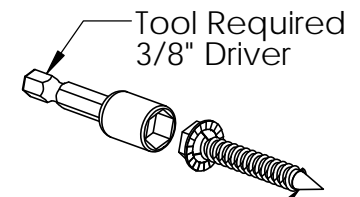
step 2

Pavilion Truss 10

repeat step 2
see overview page
for spacing and
quantity of Trusses



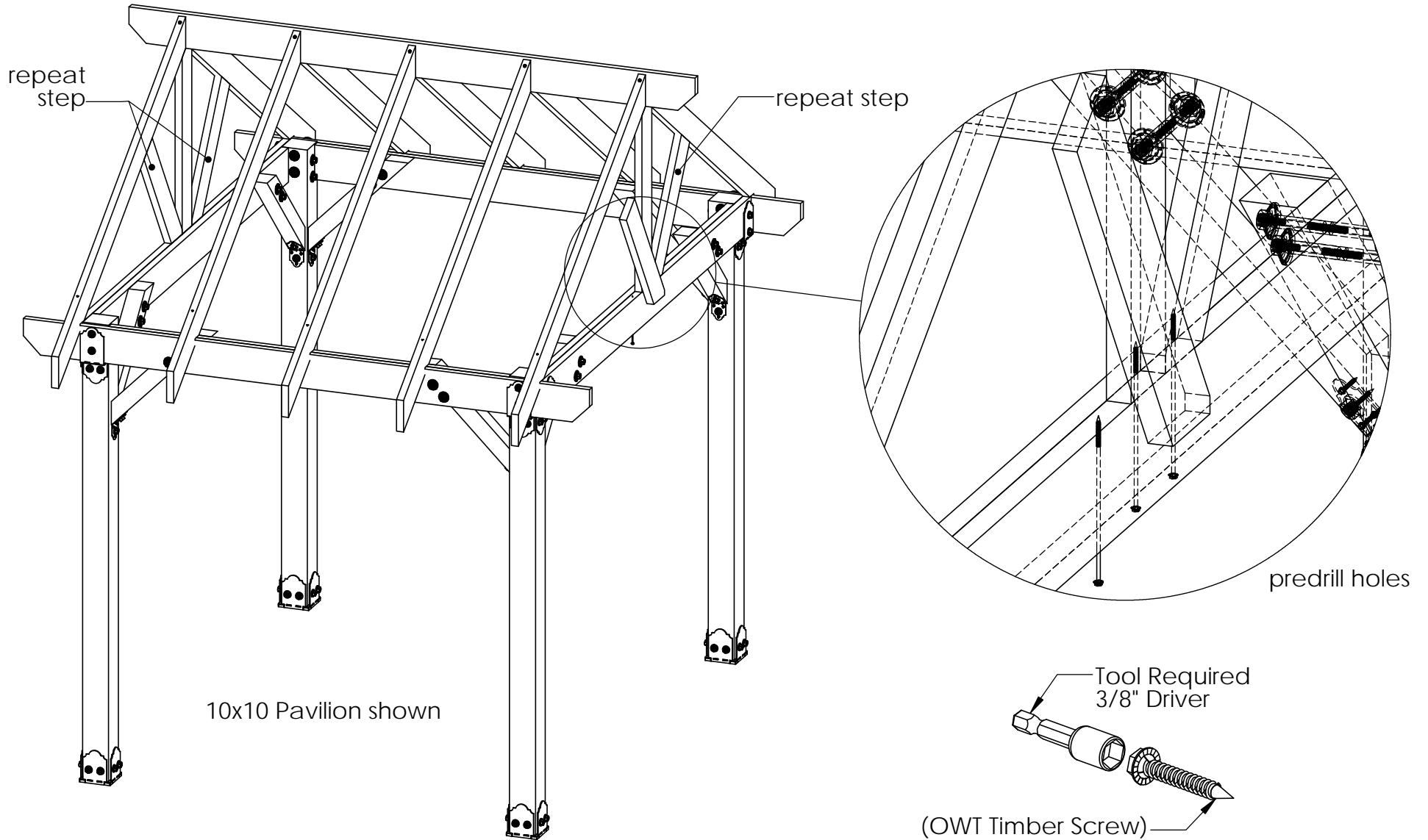
10x10 Pavilion shown



(OWT Timber Screw)

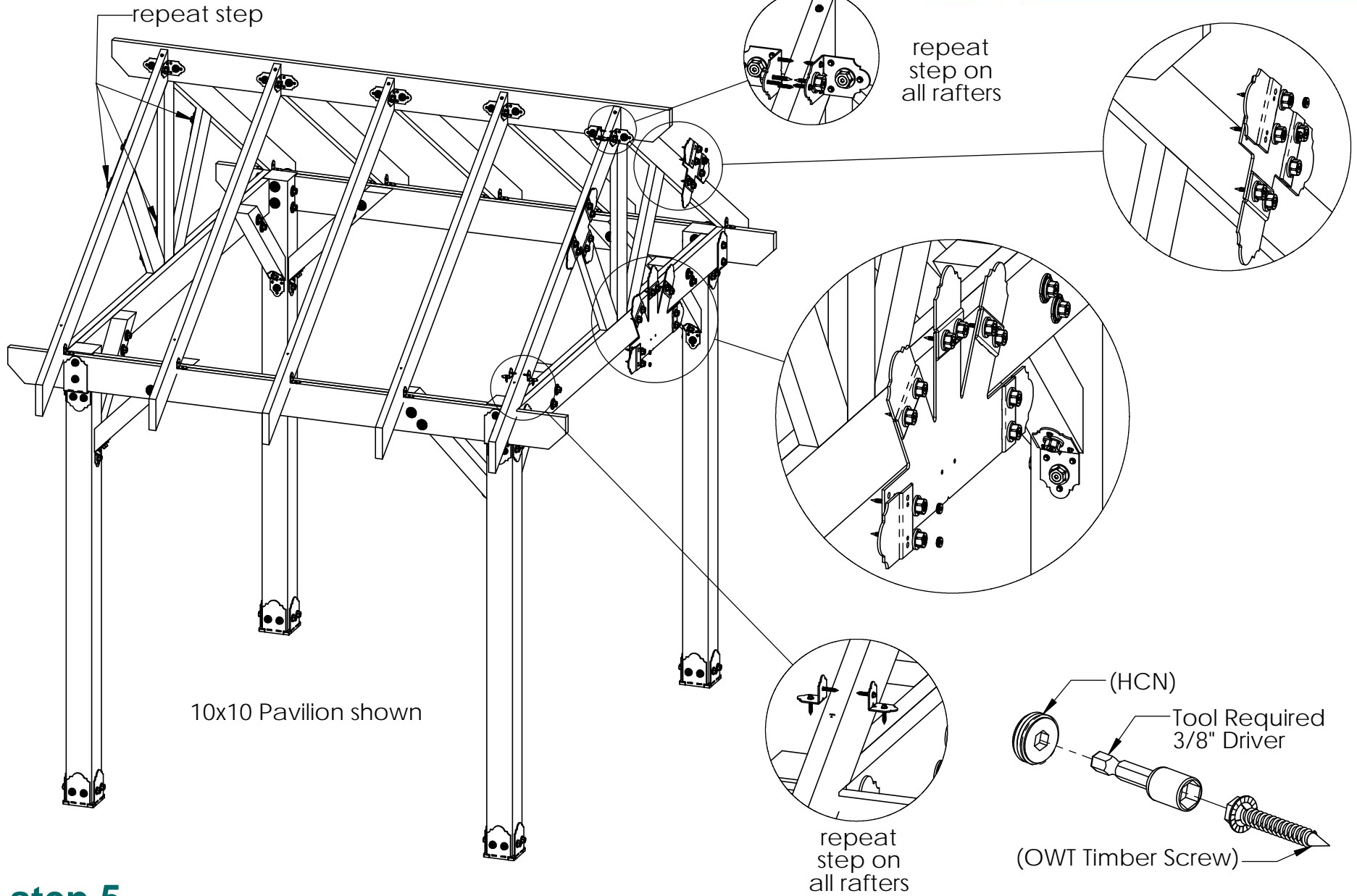
step 3

Pavilion Truss 10



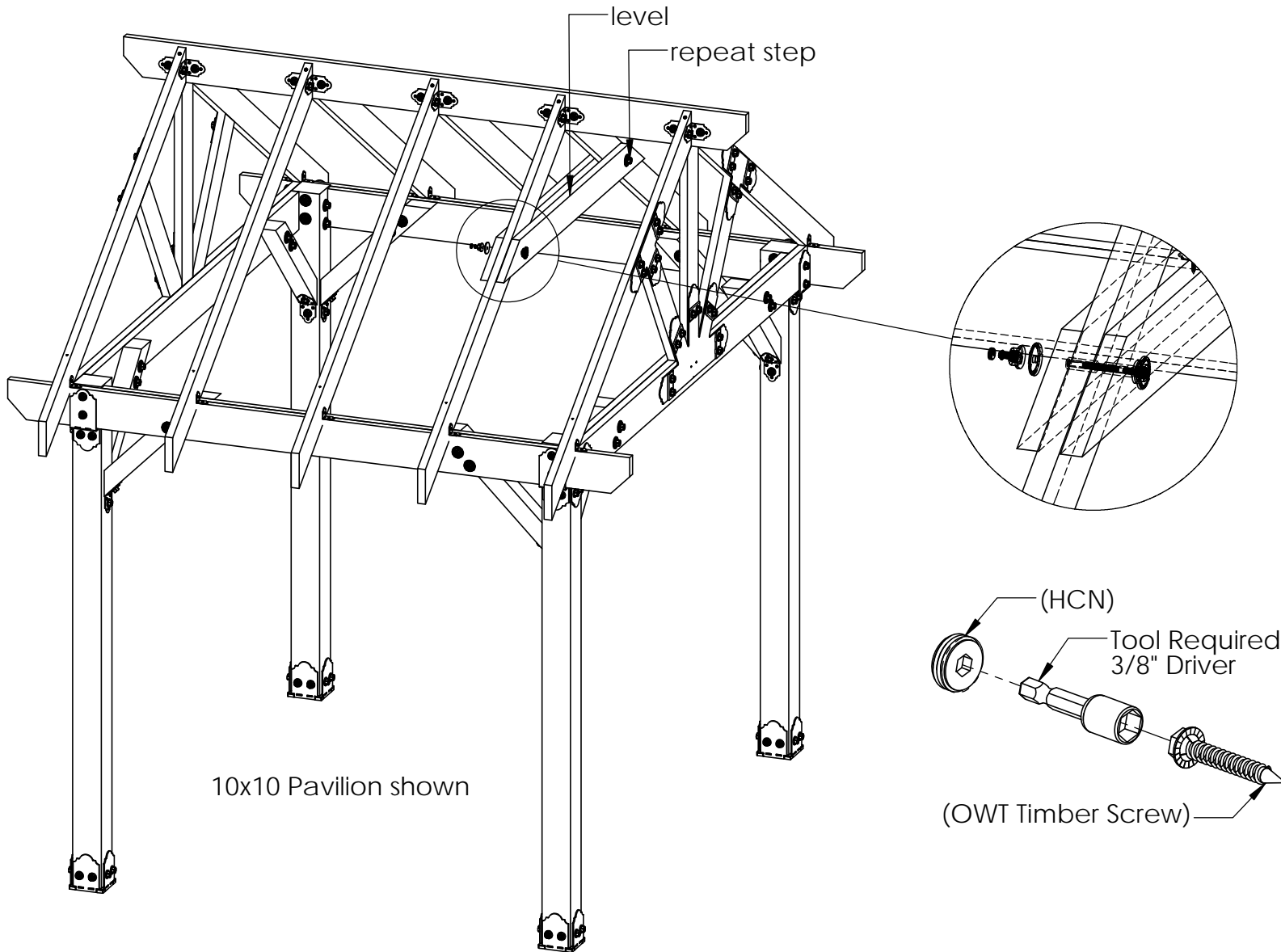
step 4

Pavilion Truss 10



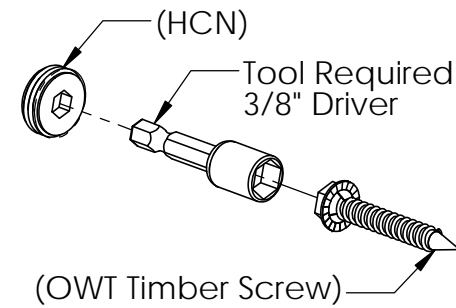
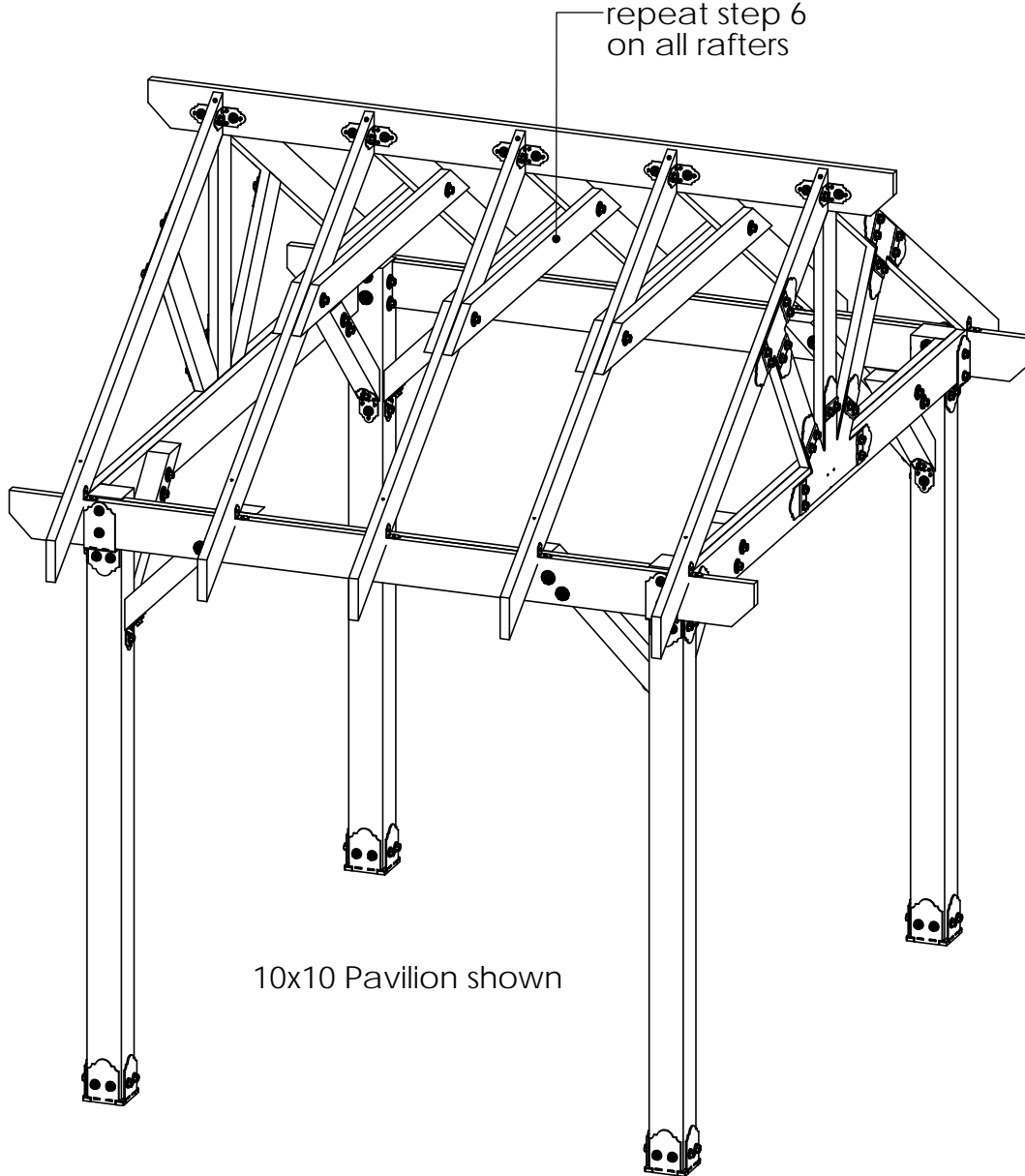
step 5

Pavilion Truss 10



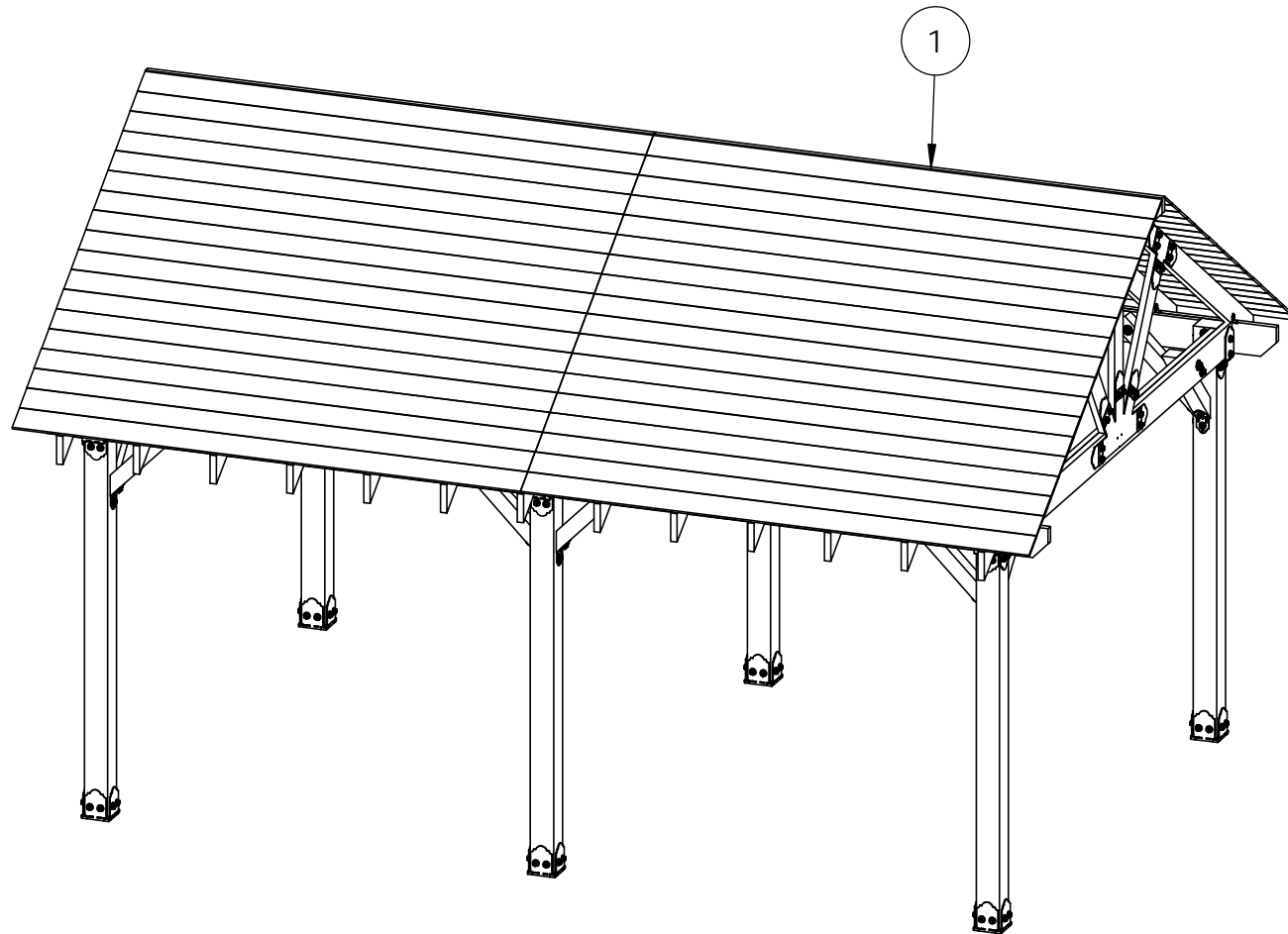
step 6

Pavilion Truss 10



step 7

Pavilion Truss 10



ITEM NO.	QTY.	PART NUMBER	DESCRIPTION
1	72	1x6 Board	1x6x10'0"

secure roofing with nails or screws

OZCO Project #216 - 12x20 Pavilion w 6x6 Posts Roofed

Pavilion Truss 12 Roofing

V2.00 - Installation Instructions, Specifications and Project Plans are effective 2/21/2017 . This information is updated periodically and should not be relied upon after 2 years from 2/21/2017 . Please visit OZCOBP.com to get current information.