

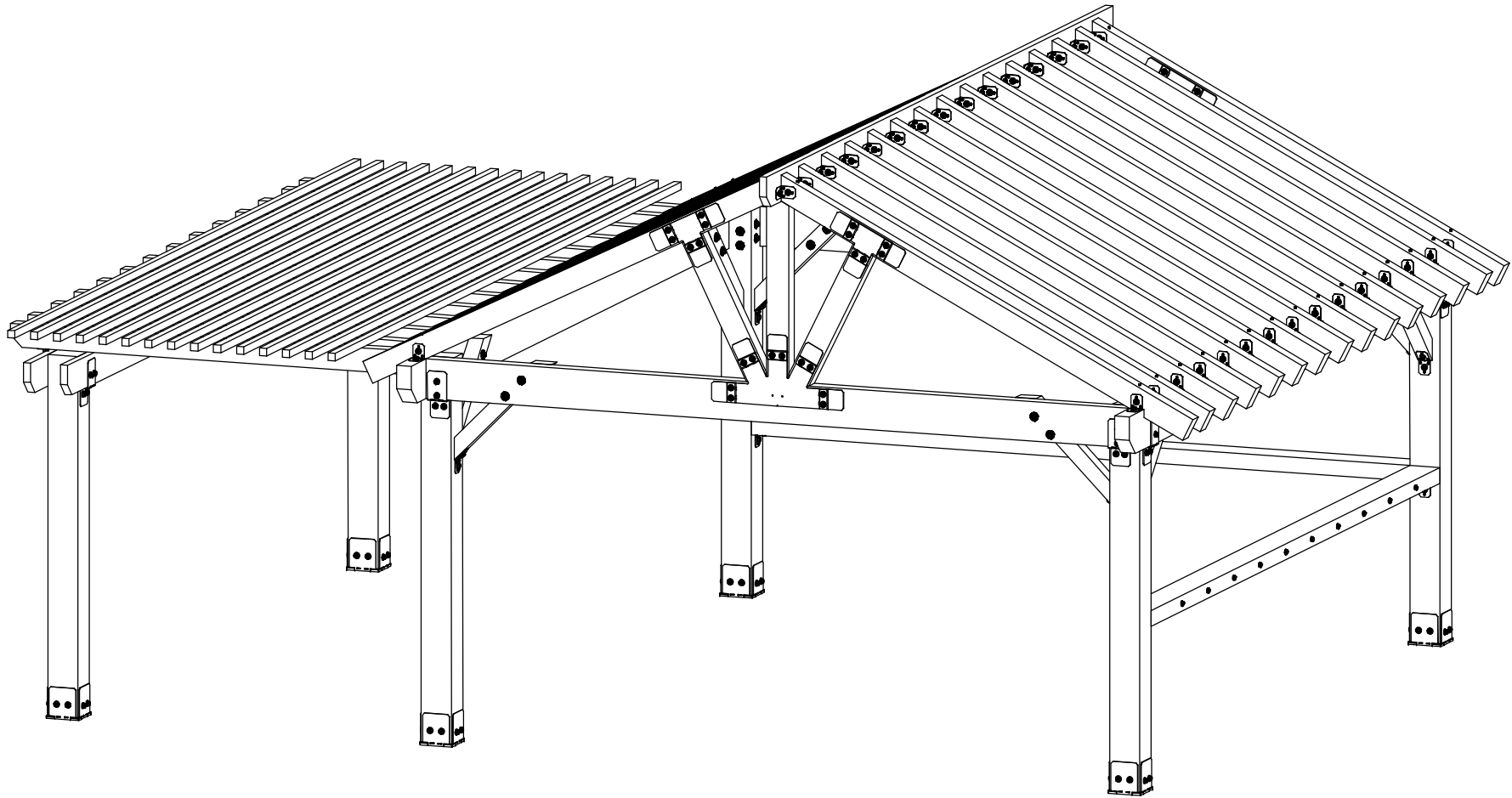
**DESIGN**

**PURCHASE**

**CONSTRUCT**

**ENJOY**

## OZCO Project #220 – Pavilion-Pergola Combo with Bar 20x25



**OZCO** BUILDING PRODUCTS ■■■

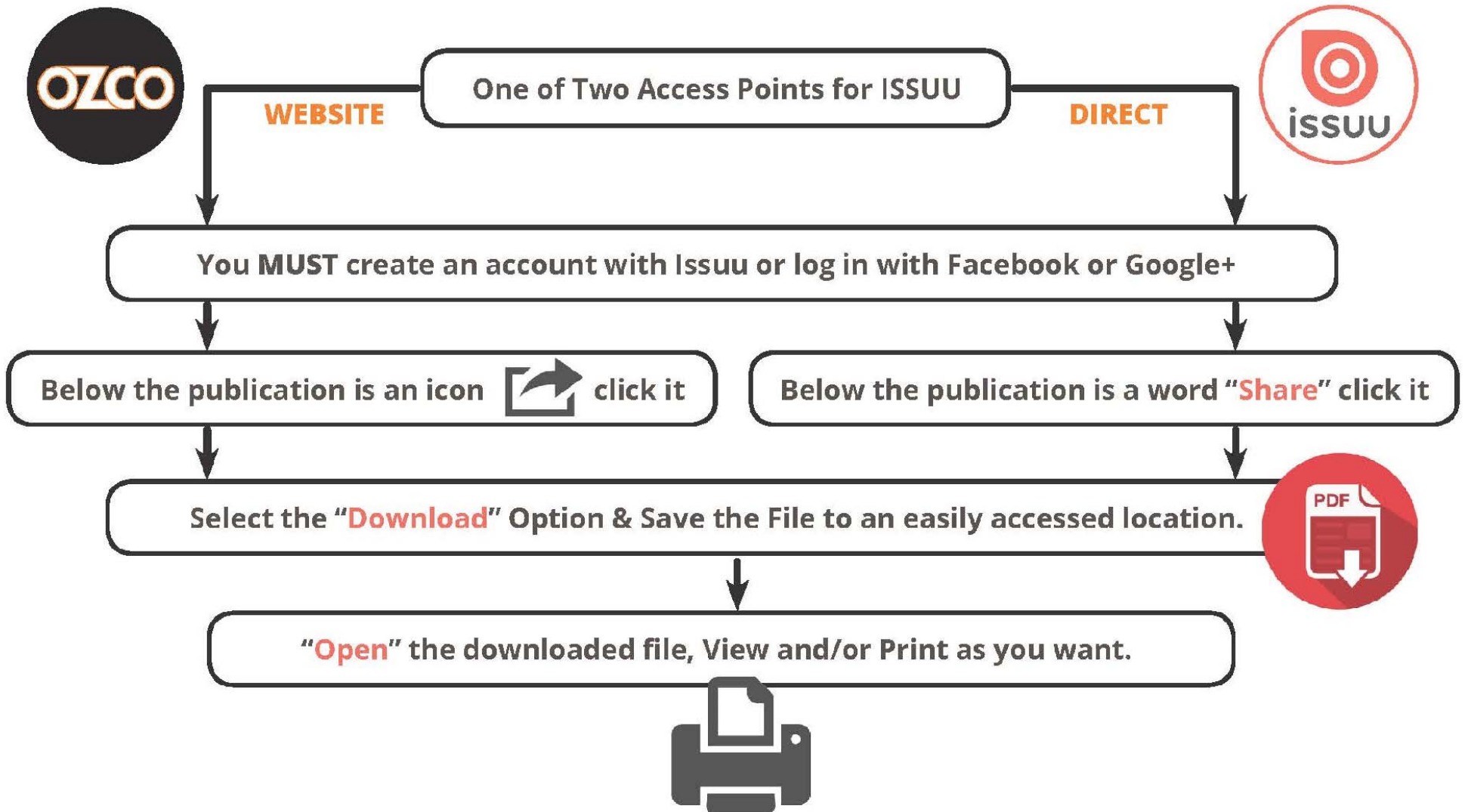
OZCO Project #220 – Pavilion-Pergola  
Combo with Bar 20x25

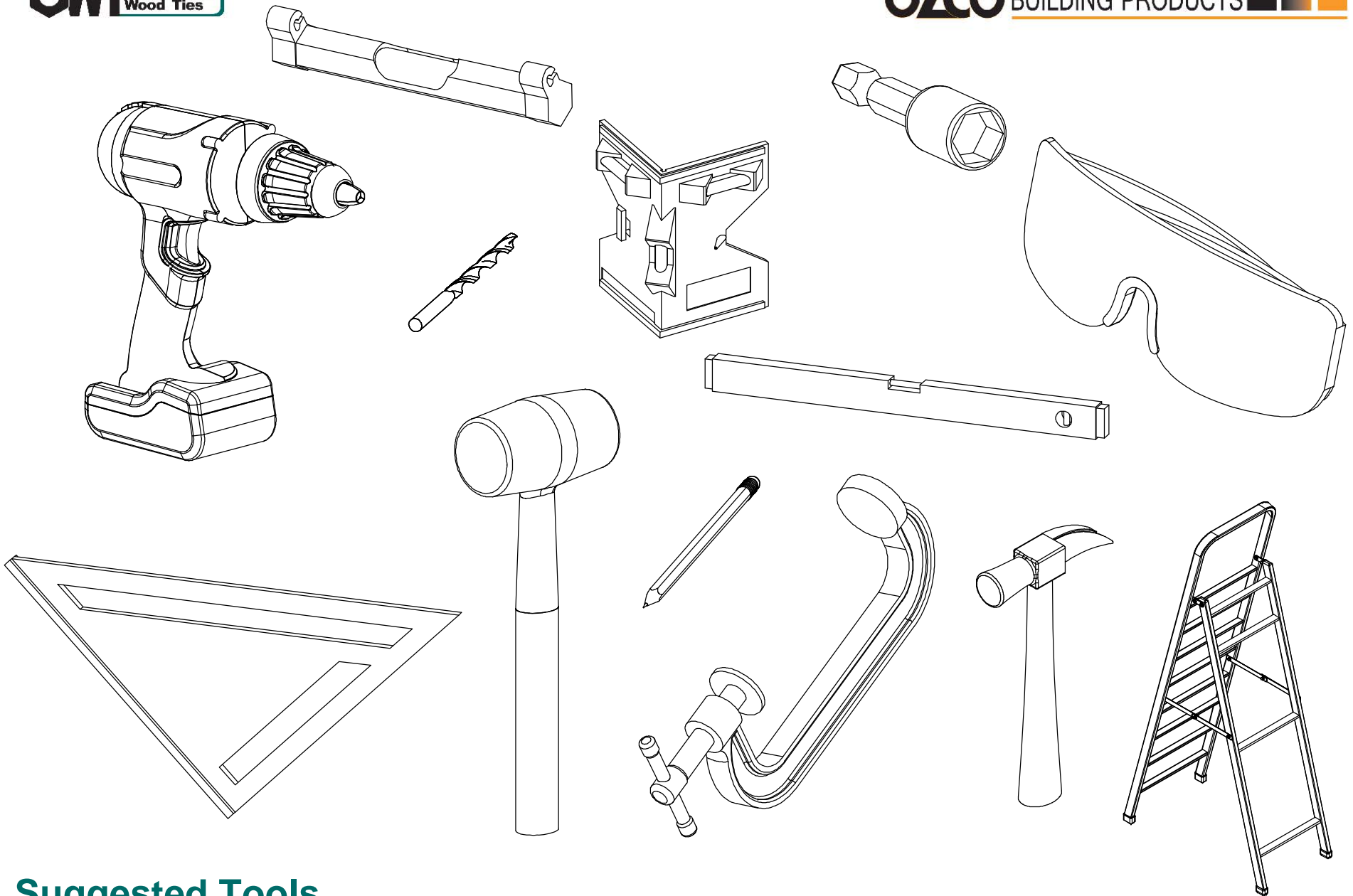
V2.00 - Installation Instructions, Specifications and Project Plans are effective 12/11/2017. This information is updated periodically and should not be relied upon after 2 years from 12/11/2017. Please visit [OZCOBP.com](http://OZCOBP.com) to get current information.



# Printing Documents from ISSUU

Unfortunately, there is currently no way to print content directly through issuu. To print a publication, you will need to download it and print it from your computer.

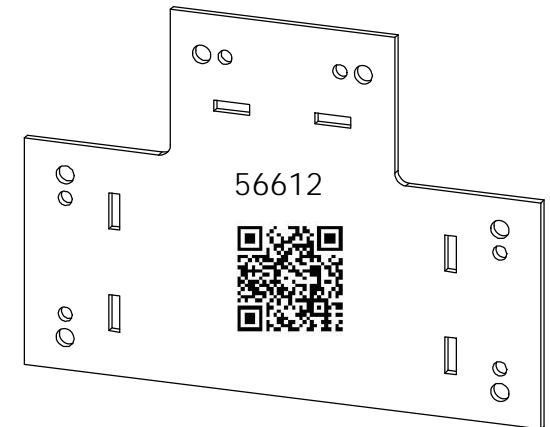
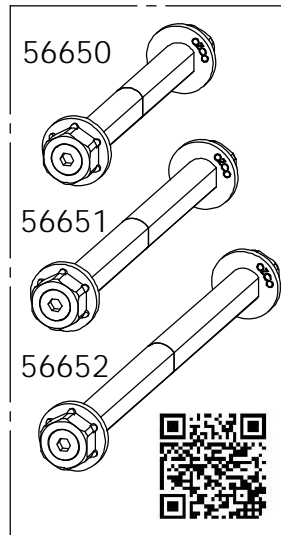
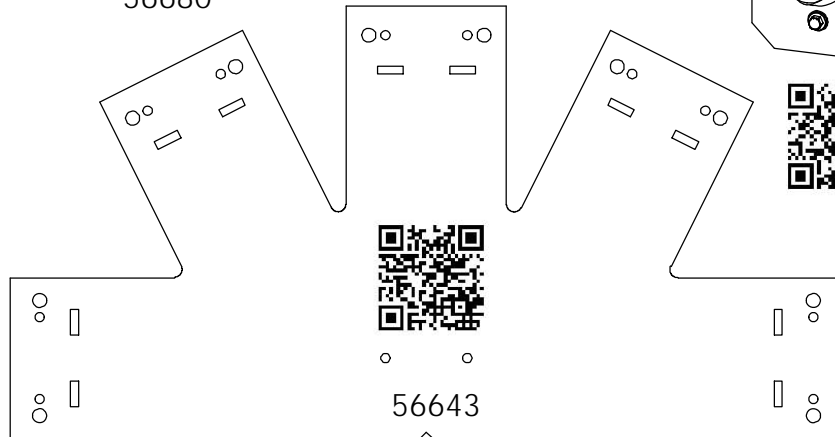
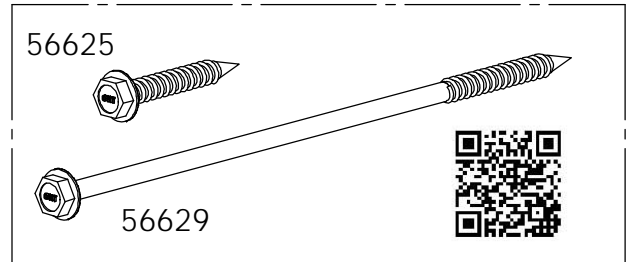
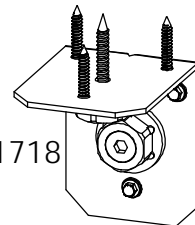
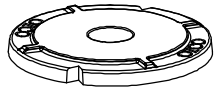
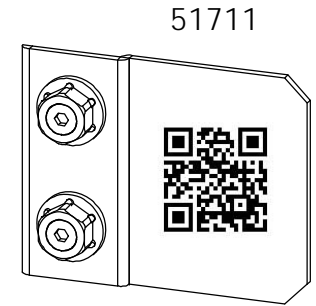
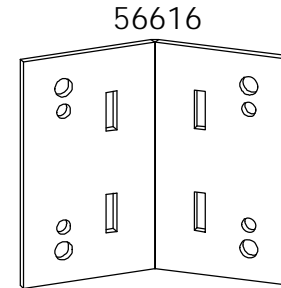
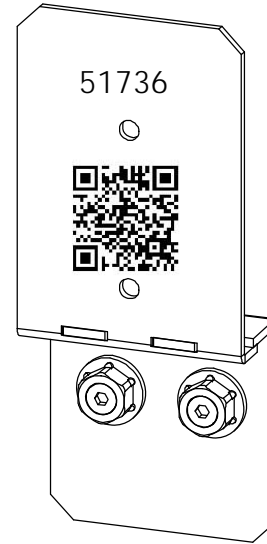
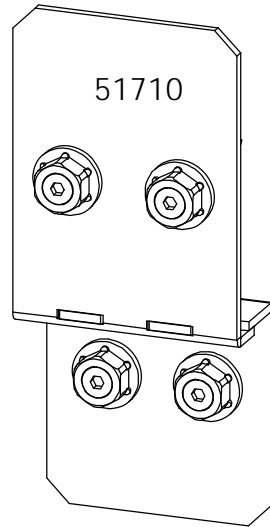
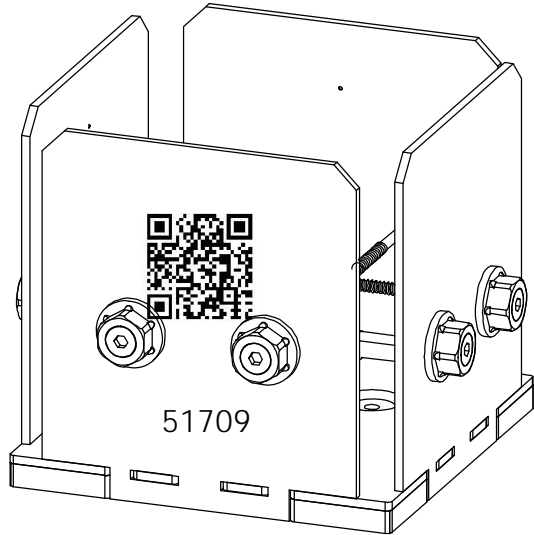


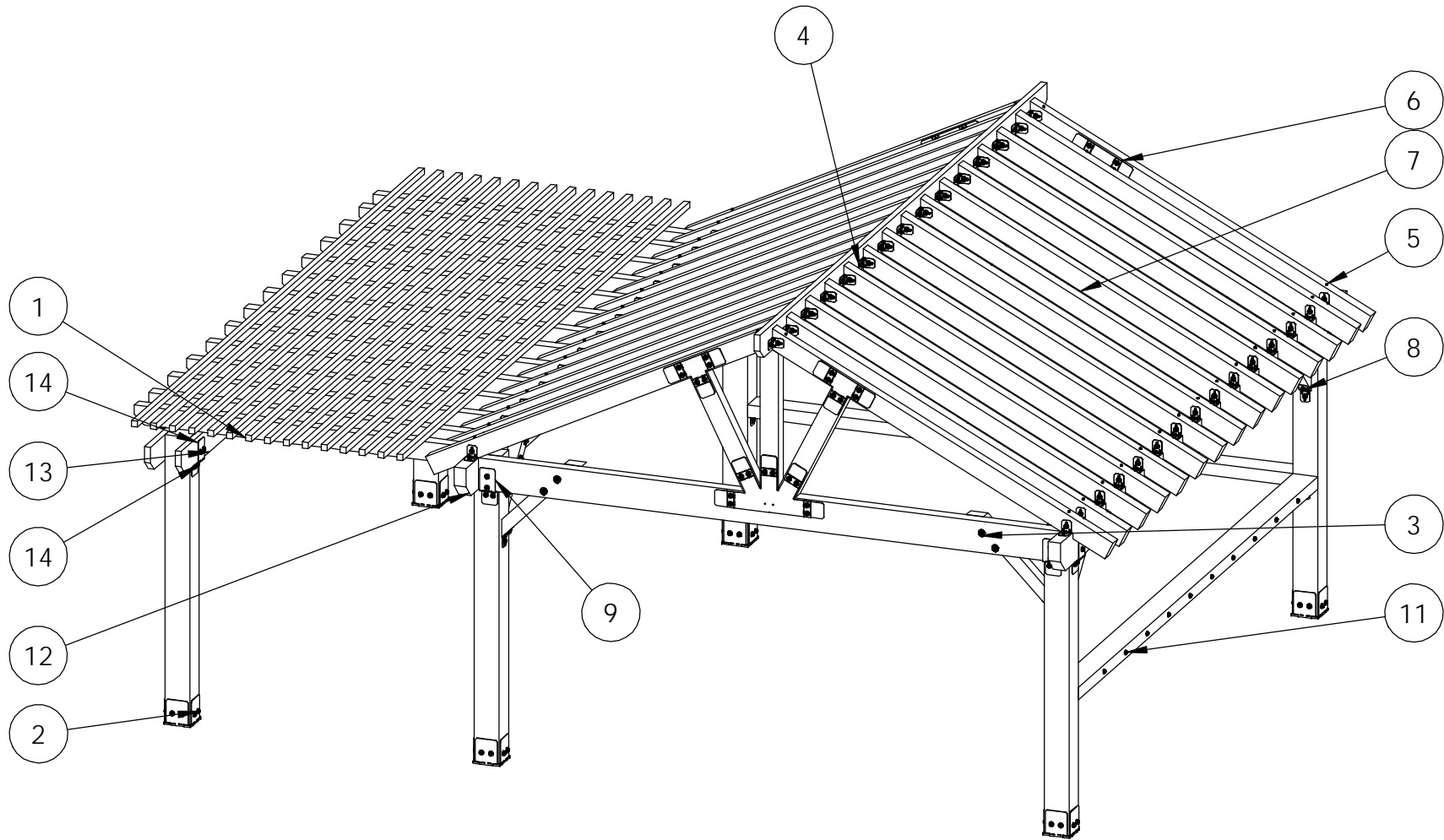


## Suggested Tools

(others may be required)

OZCO Project #220 – Pavilion-Pergola  
Combo with Bar 20x25





## Bill of Material

OZCO Project #220 – Pavilion-Pergola  
Combo with Bar 20x25

ITEM NO.	QTY.	PART NUMBER	DESCRIPTION
1	1	OZCO Project #220 – Pavilion-Pergola Combo with Bar 20x25	see cutlist
2	6	51709	8x8 Post Base (8x8-PB-IW)
3	8	56650	OWT Timber Bolt 6-8"
	8	56680	2" Timber Bolt Heavy Duty Washer (OWT-TBW-2)
4	23	51718	4" Standard Rafter Clips (RC-IW-4)
5	3	56629	OWT Timber Screw 7-1/2"
6	4	56612	"T" Tie Plate (TTP)
	12	51711	Truss Accent (TA-IW)
	1.92	56625	Screw, OWT 1-3/4" (45mm) Timber
7	4	56643	Truss Base Fan 6:12
	10	51711	Truss Accent (TA-IW)
	1.6	56625	Screw, OWT 1-3/4" (45mm) Timber
8	3	51768	4" Flush Inside 45 (FI45-IW-4)
9	4	51736	Post to Beam Bolt Offset (P2B-BO-IW)
10	8	56652	OWT Timber Bolt 10-12"
	4	56680	2" Timber Bolt Heavy Duty Washer (OWT-TBW-2)
11	2	56622	1-1/4" Hammered Dome Cap (DCN)
	.8	56625	Screw, OWT 1-3/4" (45mm) Timber
12	4	51769	6-8" Beam Hanger Flush (BHF-68-IW)
13	1	56628	Screw, OWT 5-3/4" (145mm) Timber with HCN
	1	56621	1 1/2" Hex Cap Nut (HCN)
14	2	51710	8" Post to Beam (P2B-IW-8)

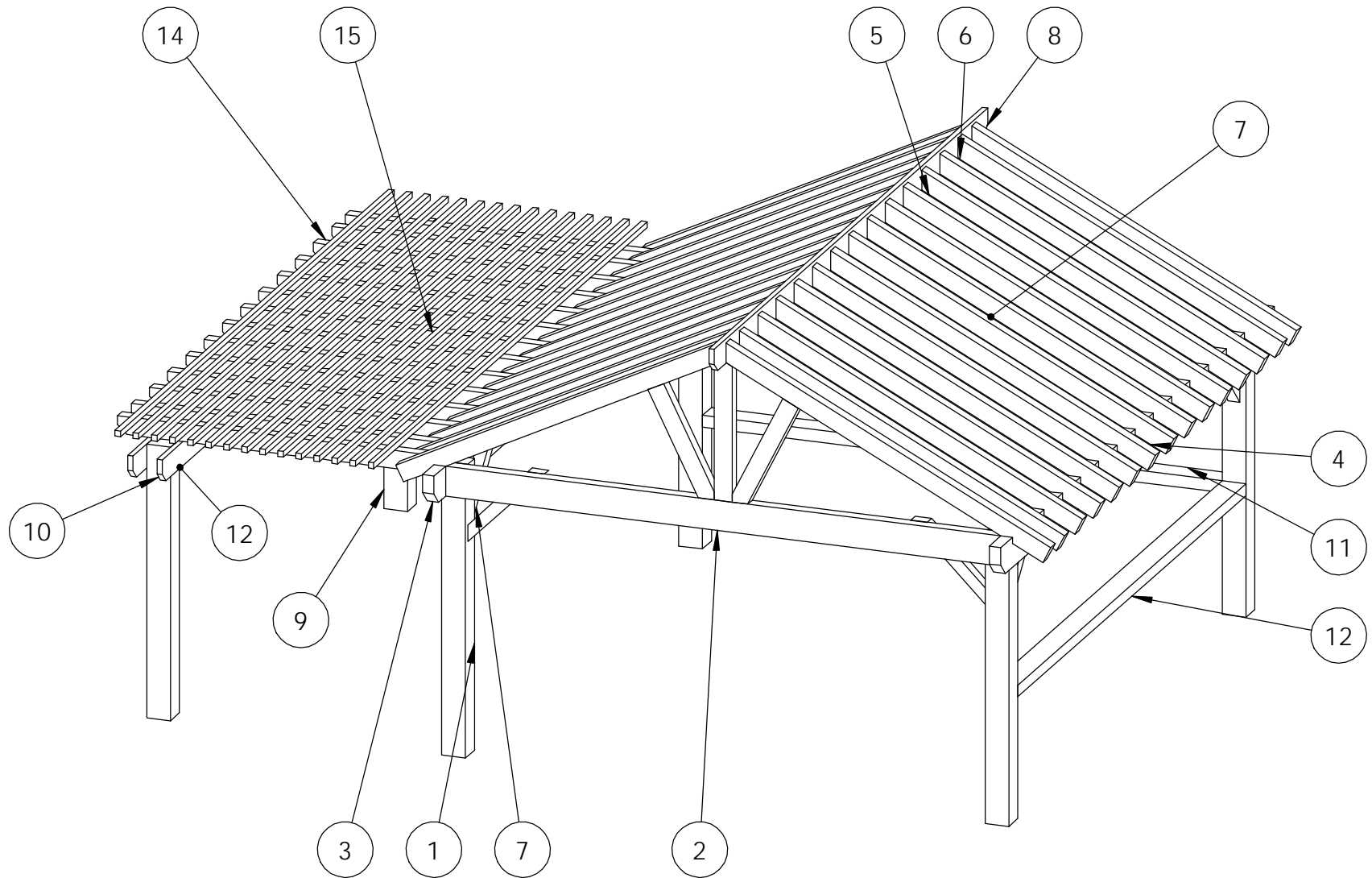
some parts are grouped/used with others during assembly.  
 when duplicate part numbers show on bill of material  
 table, add together for total quantity needed.

## Bill of Material

quantities reflect packages of components required

QTY.	PART NUMBER	DESCRIPTION
6	51709	8x8 Post Base (8x8-PB-IW)
8	56650	OWT Timber Bolt 6-8"
12	56680	2" Timber Bolt Heavy Duty Washer (OWT-TBW-2)
23	51718	4" Standard Rafter Clips (RC-IW-4)
3	56629	OWT Timber Screw 7-1/2"
4	56612	"T" Tie Plate (TTP)
12	51711	Truss Accent (TA-IW)
5	56625	Screw, OWT 1-3/4" (45mm) Timber
4	56643	Truss Base Fan 6:12
10	51711	Truss Accent (TA-IW)
3	51768	4" Flush Inside 45 (FI45-IW-4)
4	51736	Post to Beam Bolt Offset (P2B-BO-IW)
8	56652	OWT Timber Bolt 10-12"
2	56622	1-1/4" Hammered Dome Cap (DCN)
4	51769	6-8" Beam Hanger Flush (BHF-68-IW)
1	56628	Screw, OWT 5-3/4" (145mm) Timber with HCN
1	56621	1 1/2" Hex Cap Nut (HCN)
2	51710	8" Post to Beam (P2B-IW-8)

## Material List



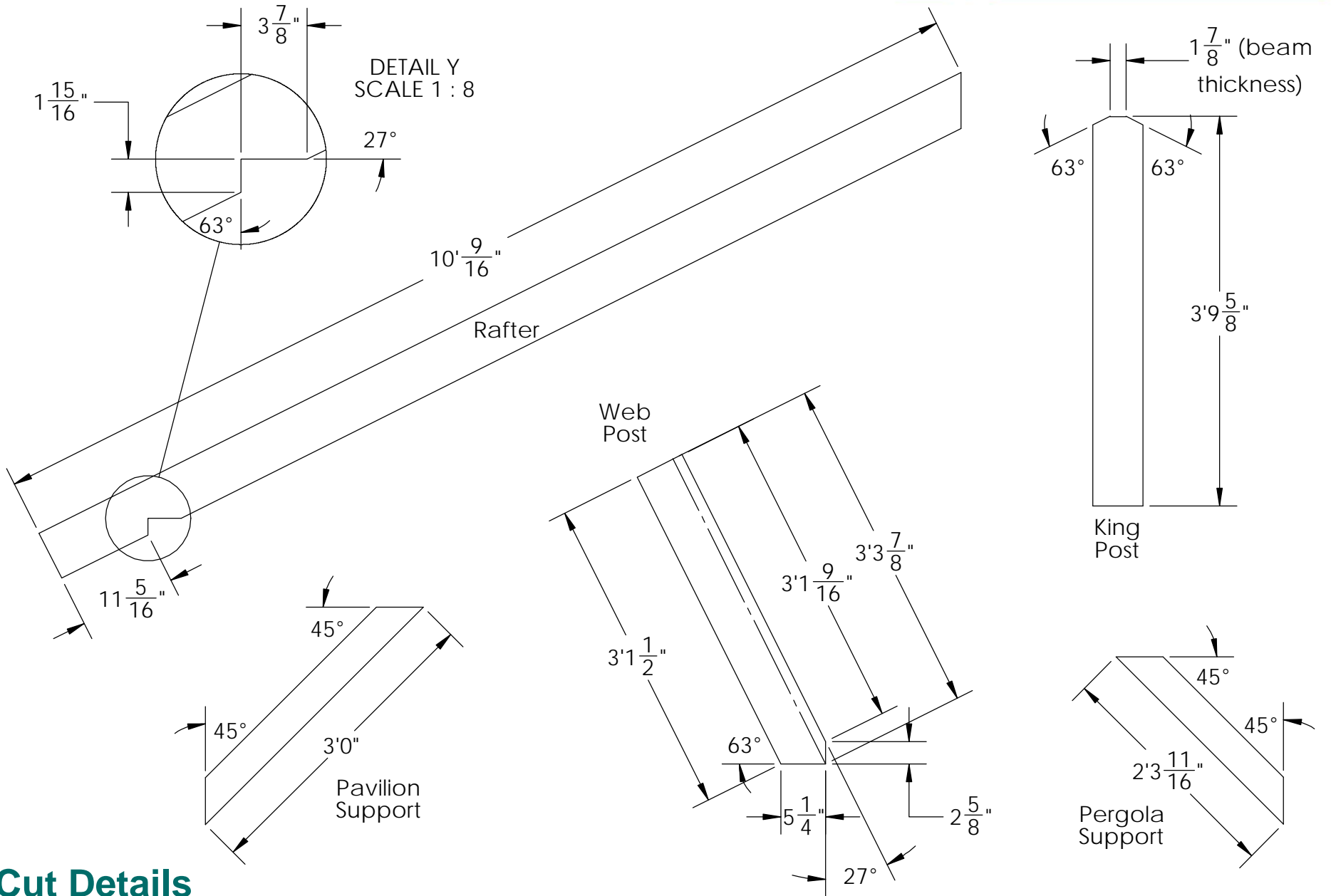
## Cutlist

OZCO Project #220 – Pavilion-Pergola  
 Combo with Bar 20x25

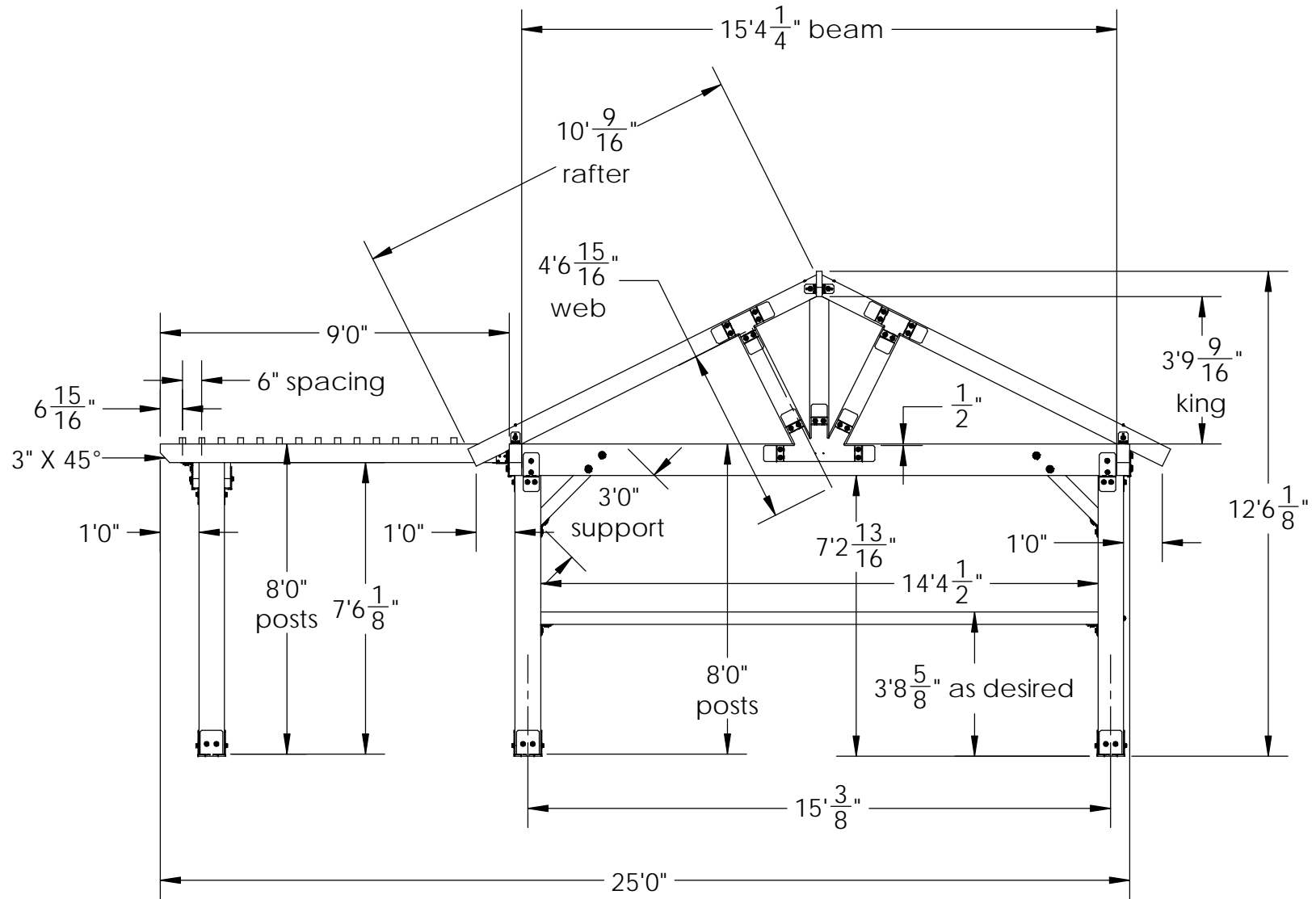


ITEM NO.	QTY.	DESCRIPTION	LENGTH
1	4	8x8 Cedar	8'
2	2	4x10 Cedar	15'4 1/4"
3	2	4x10 Cedar	20'
4	30	4x6 Cedar	10' 9/16"
5	4	4x6 Cedar	3'3 7/8"
6	2	4x6 Cedar	3'9 5/8"
7	8	4x4 Cedar	3'
8	1	2x8 Cedar	20'
9	2	8x8 Cedar	7'6 1/8"
10	2	2x8 Cedar	20'
11	1	4x8 Cedar	14'4 1/2"
12	1	4x8 Cedar	16'8 1/4"
13	2	4x4 Cedar	2'3 11/16"
14	14	4x6 Cedar	9'
15	15	2x2 Cedar	20'

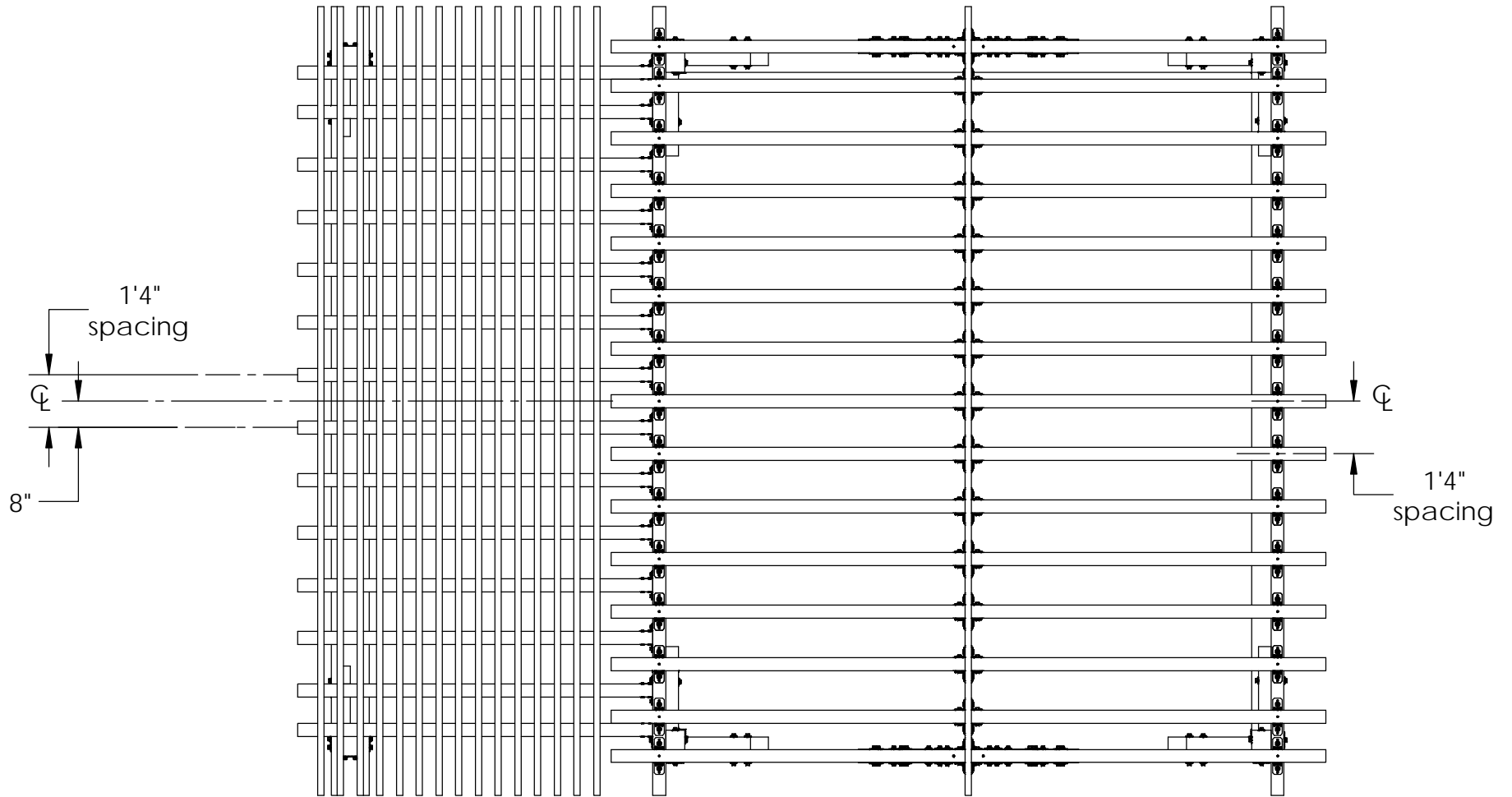
## Cutlist



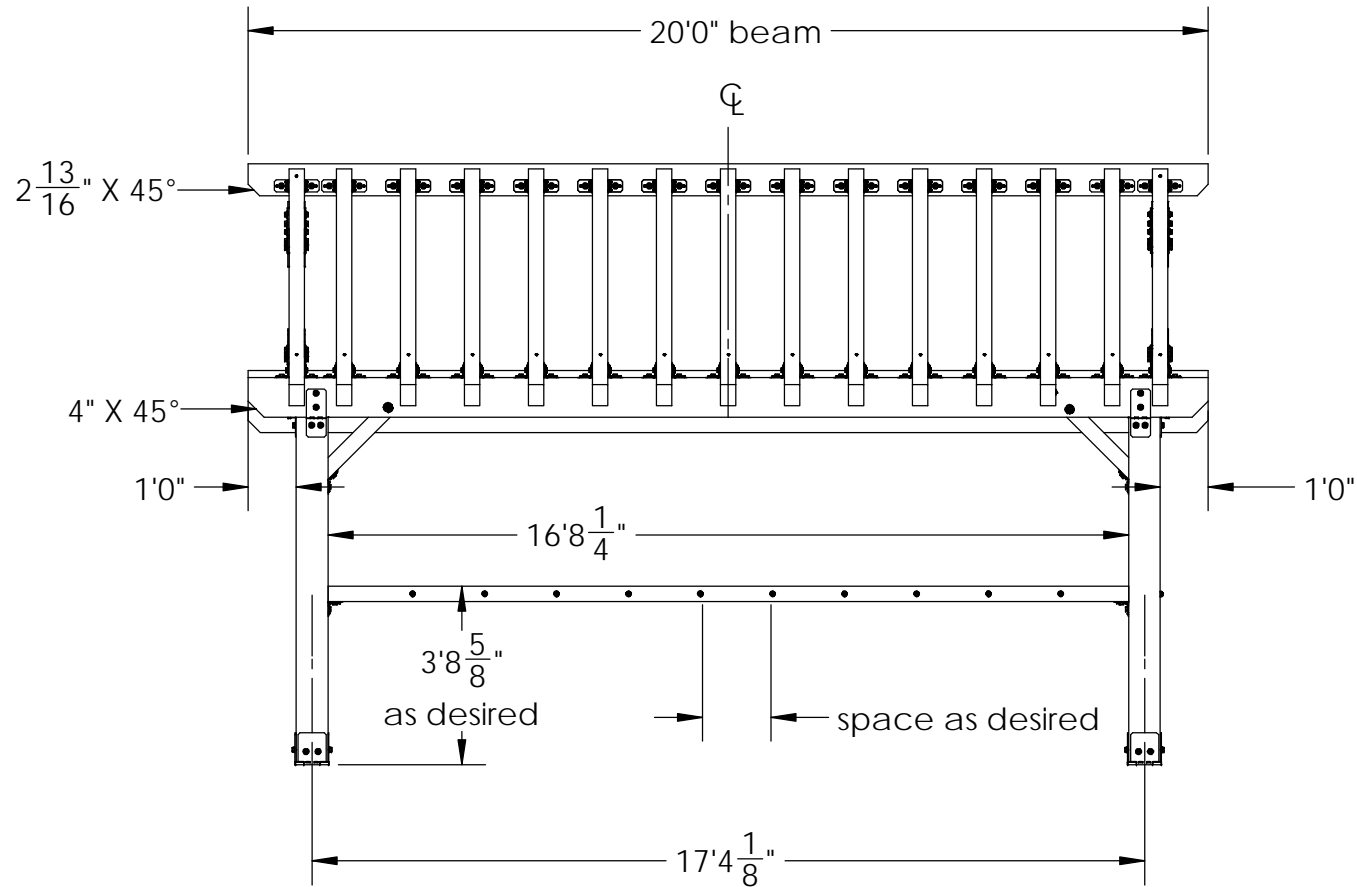
## Cut Details



## Front



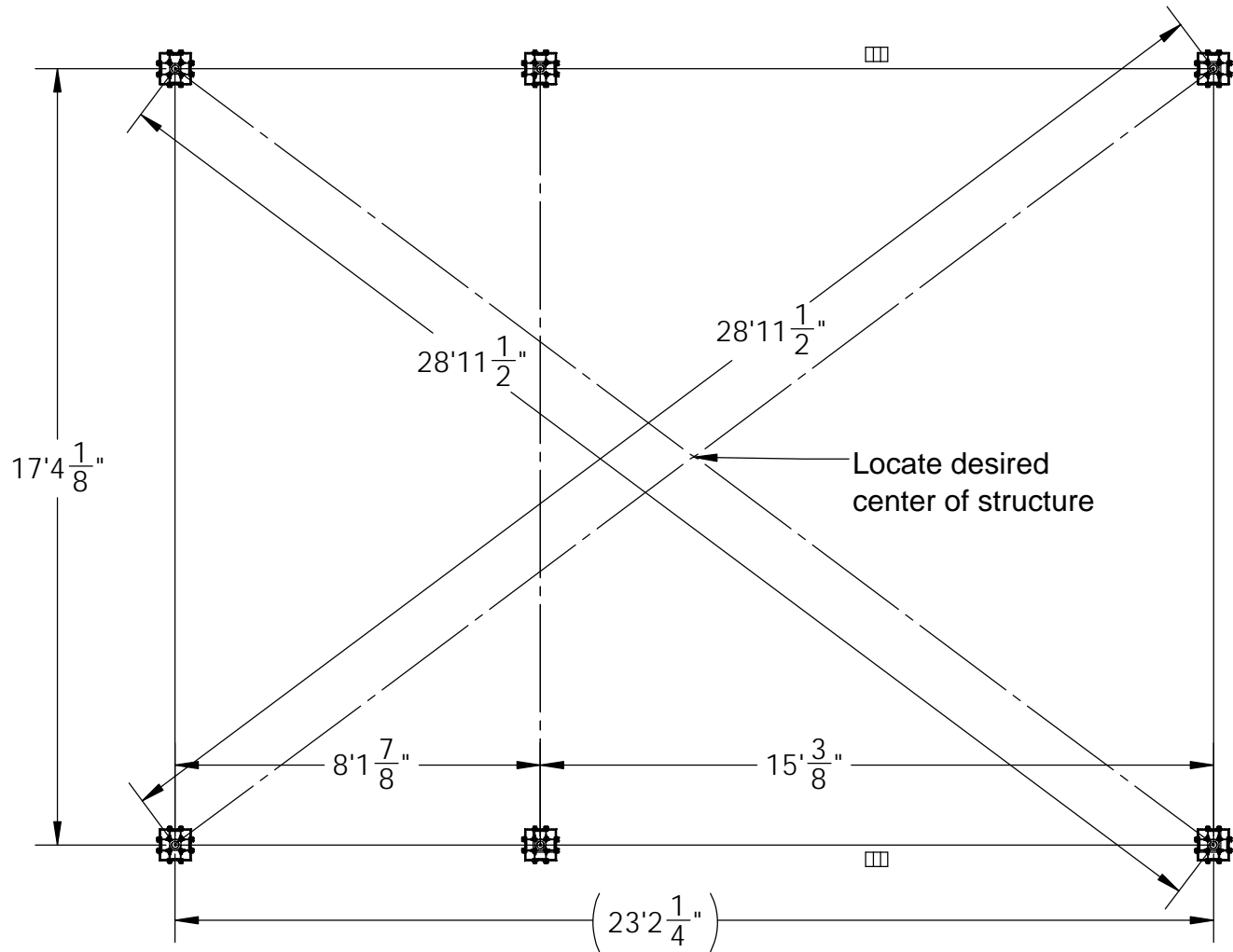
## Top



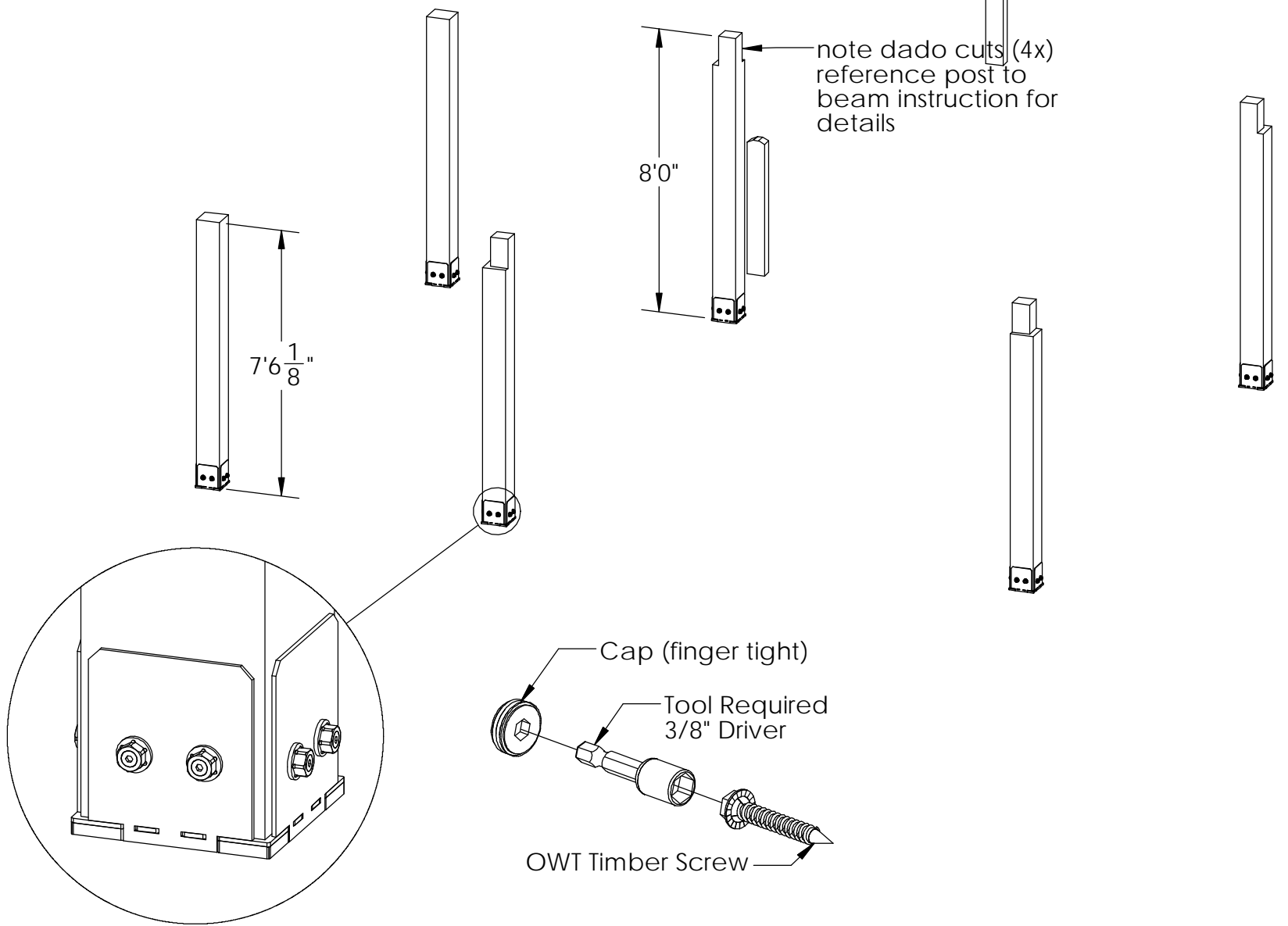
## Right



if site is not level,  
see Ozco Site Leveling instruction

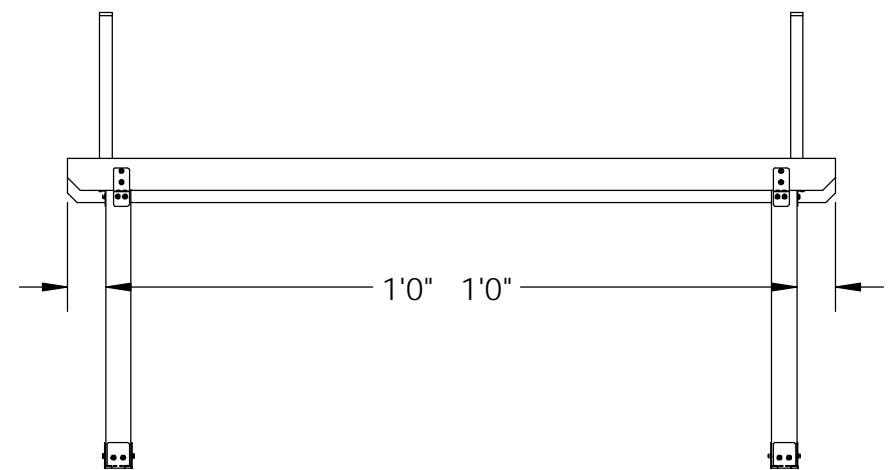
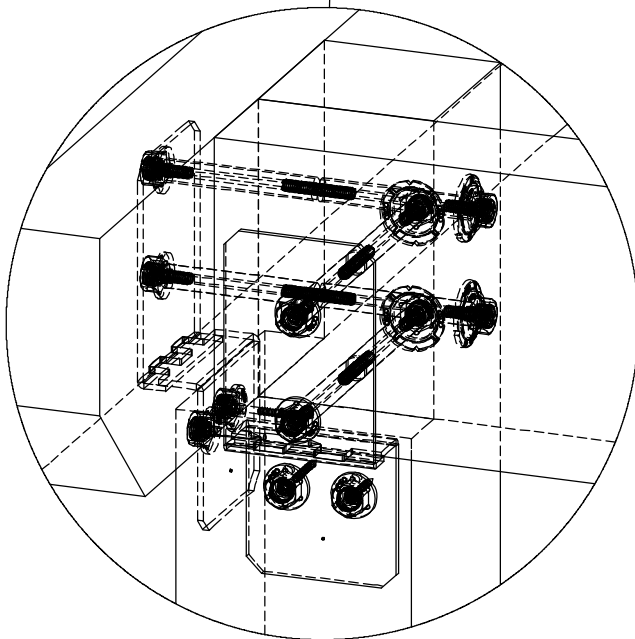
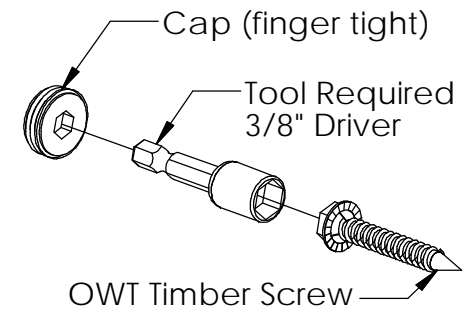
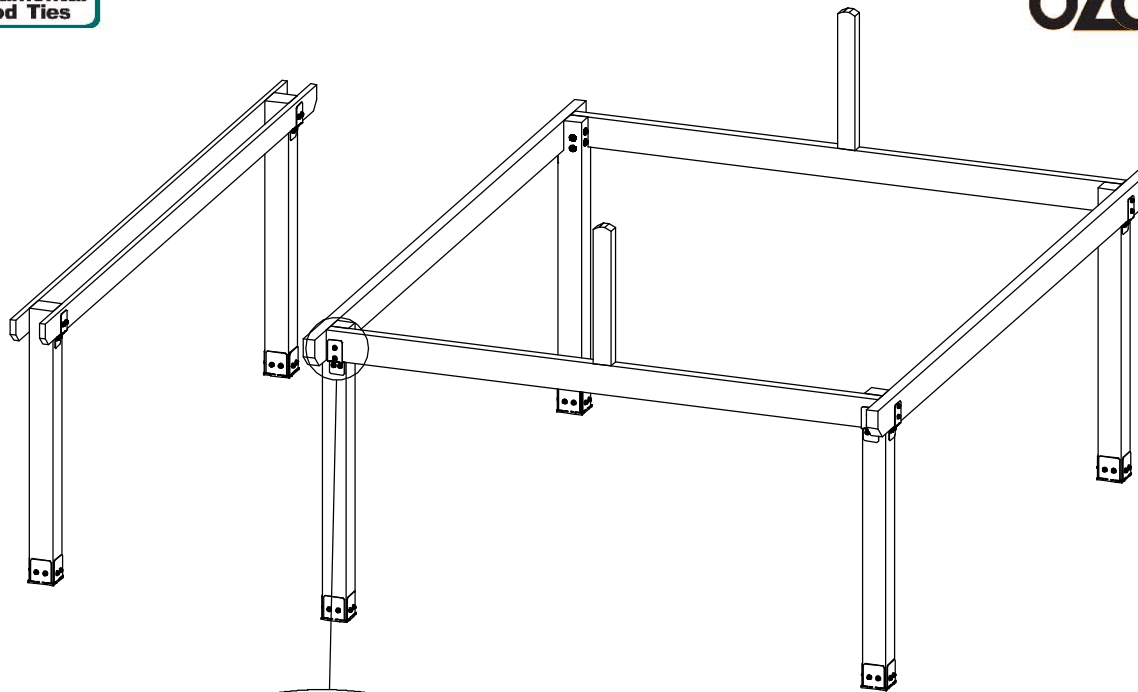


site



# step 1

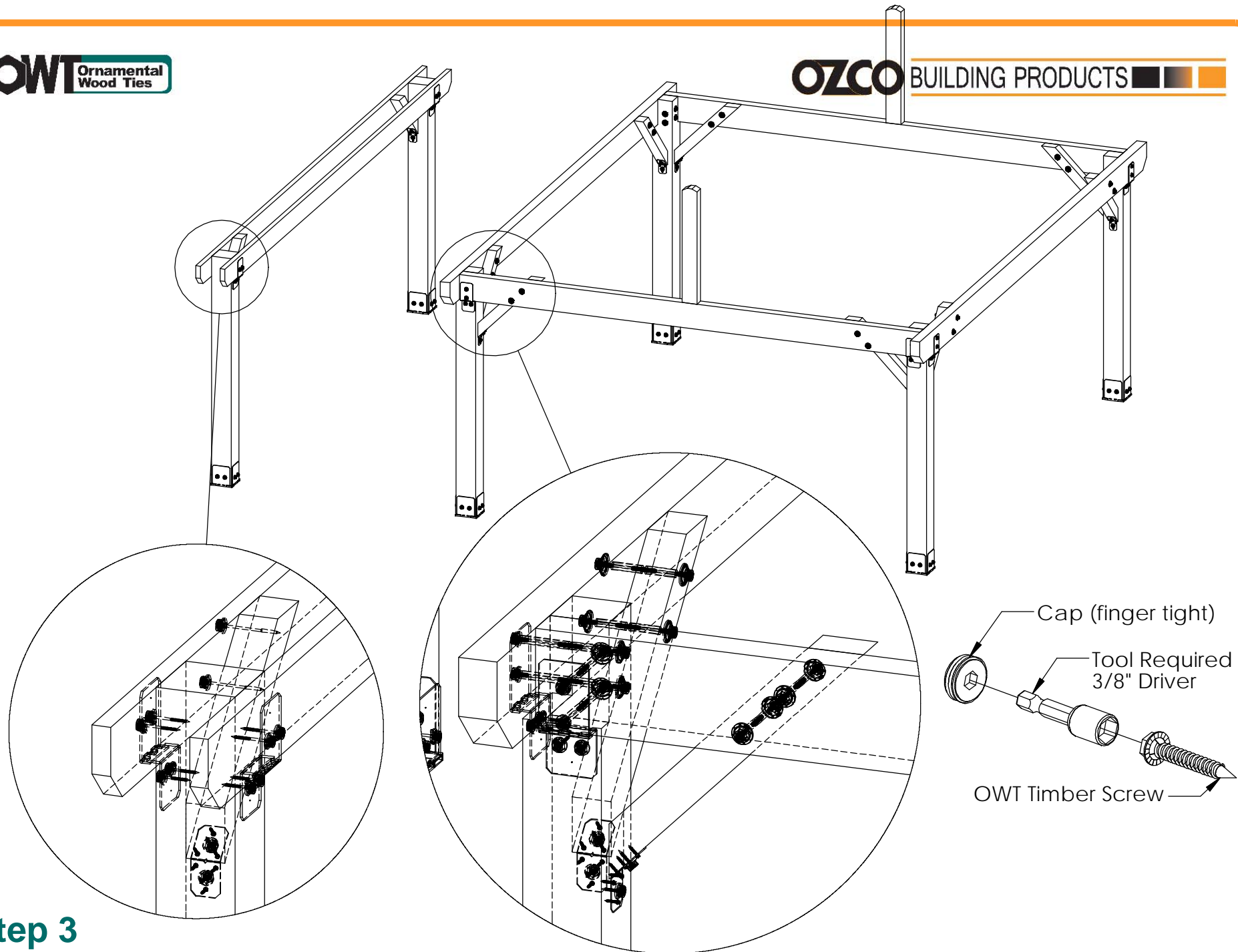
OZCO Project #220 – Pavilion-Pergola  
Combo with Bar 20x25



## step 2

OZCO Project #220 – Pavilion-Pergola  
Combo with Bar 20x25

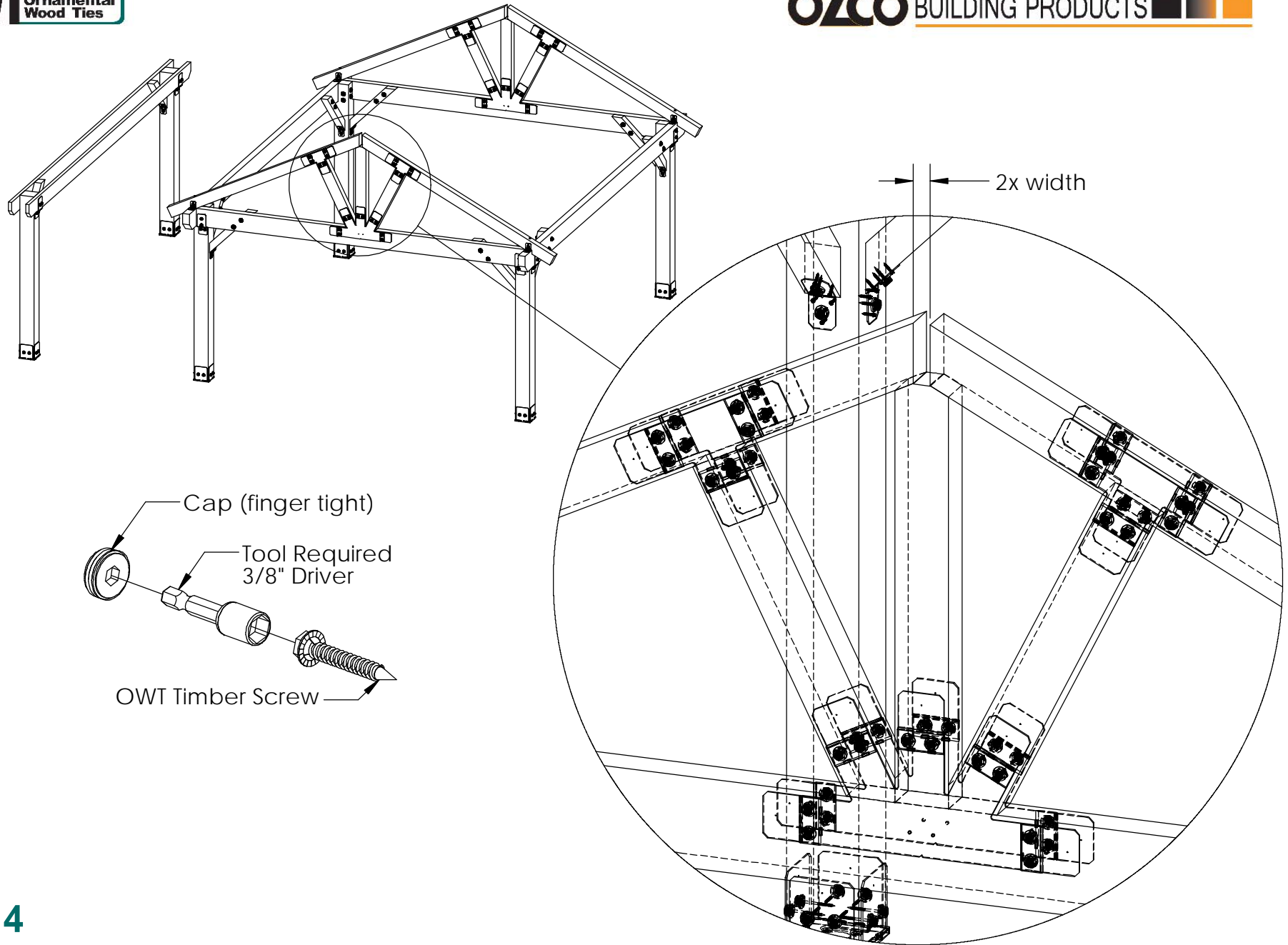




### step 3

OZCO Project #220 – Pavilion-Pergola  
Combo with Bar 20x25

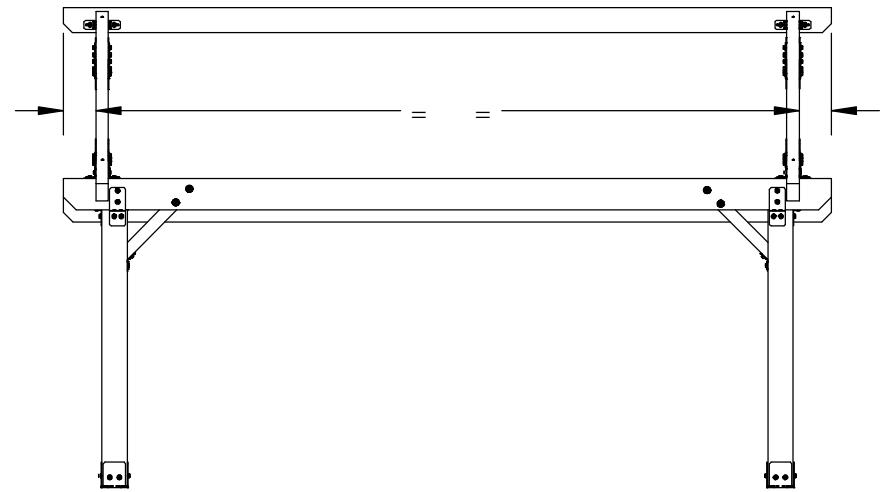
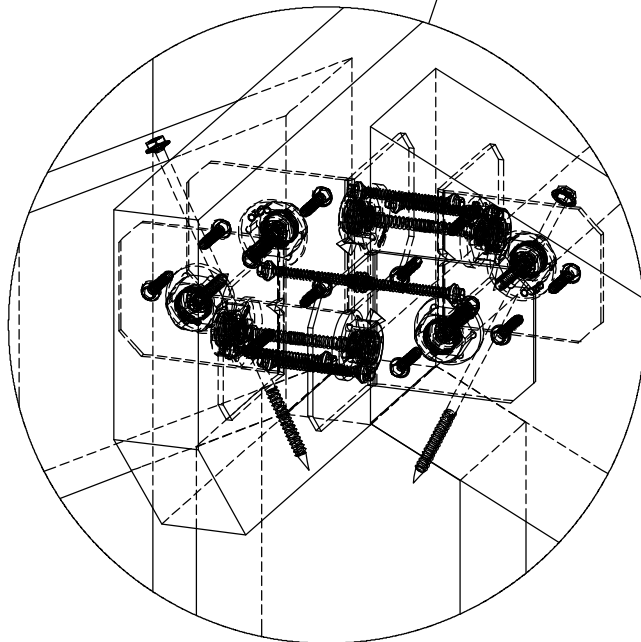
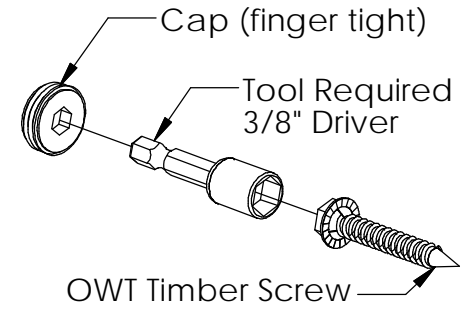
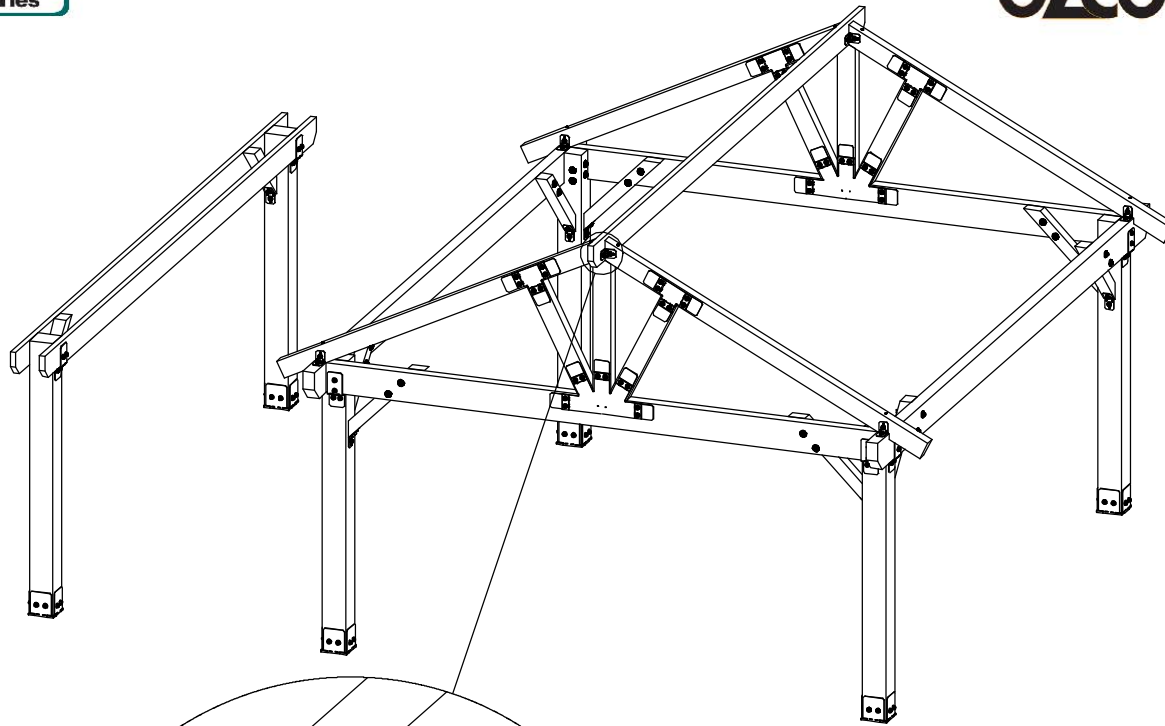
repeat on both ends



### step 4

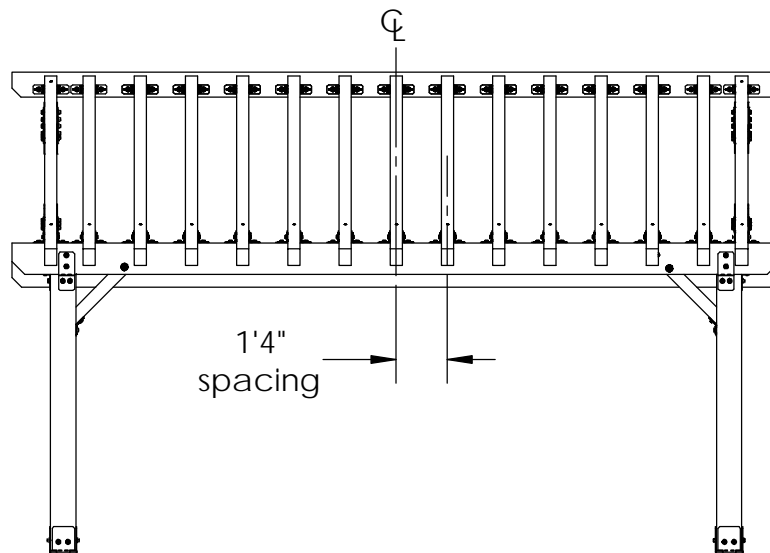
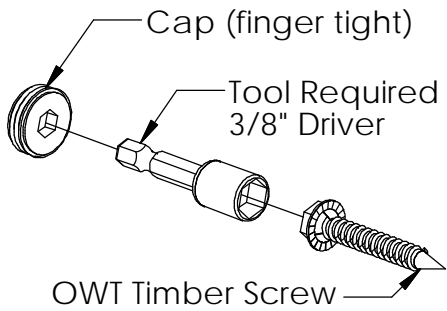
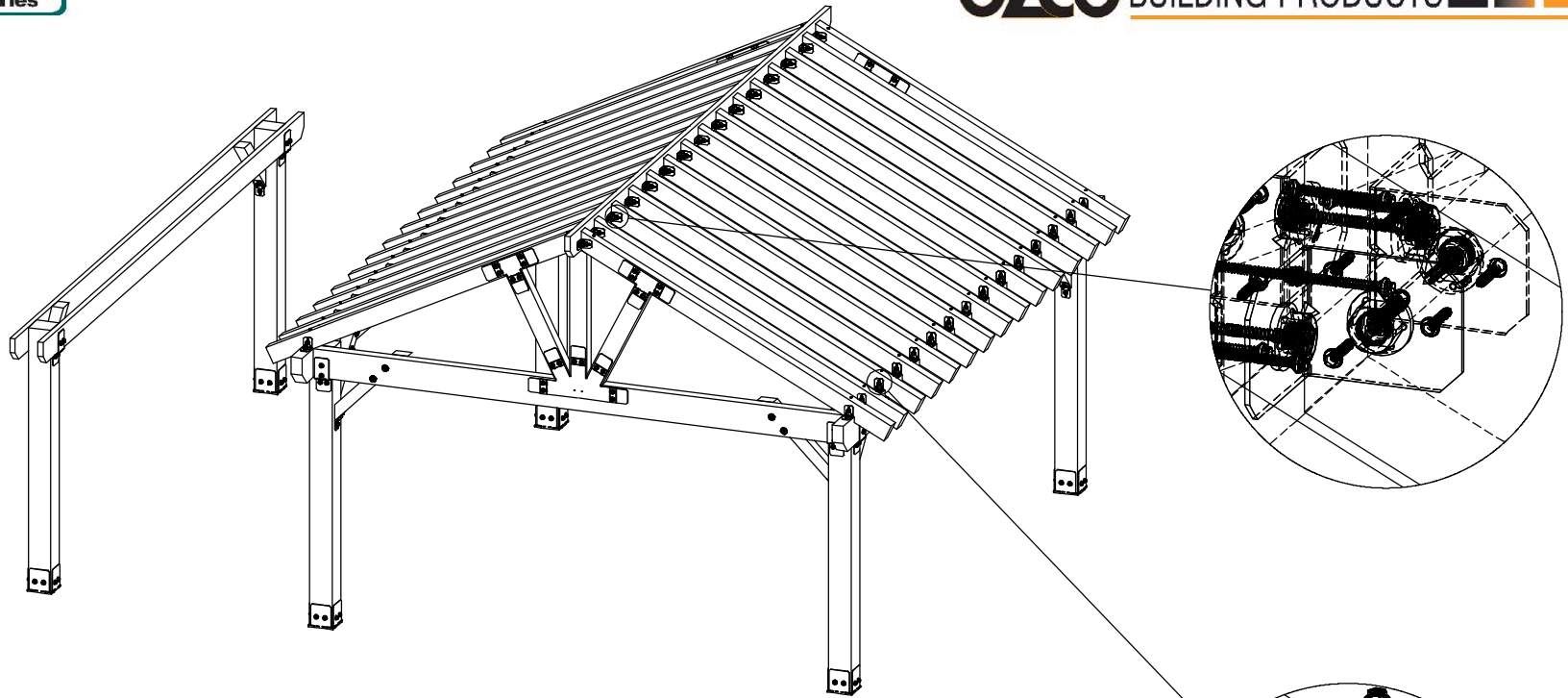
OZCO Project #220 – Pavilion-Pergola Combo with Bar 20x25

repeat on both ends



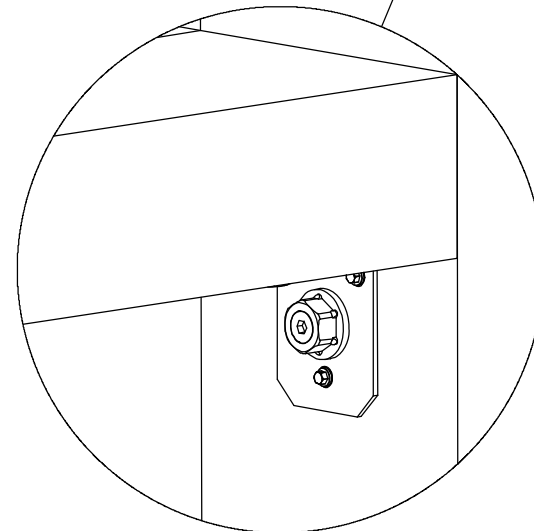
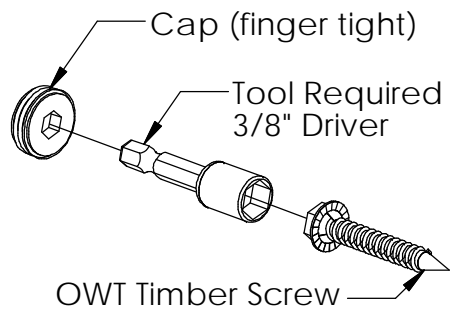
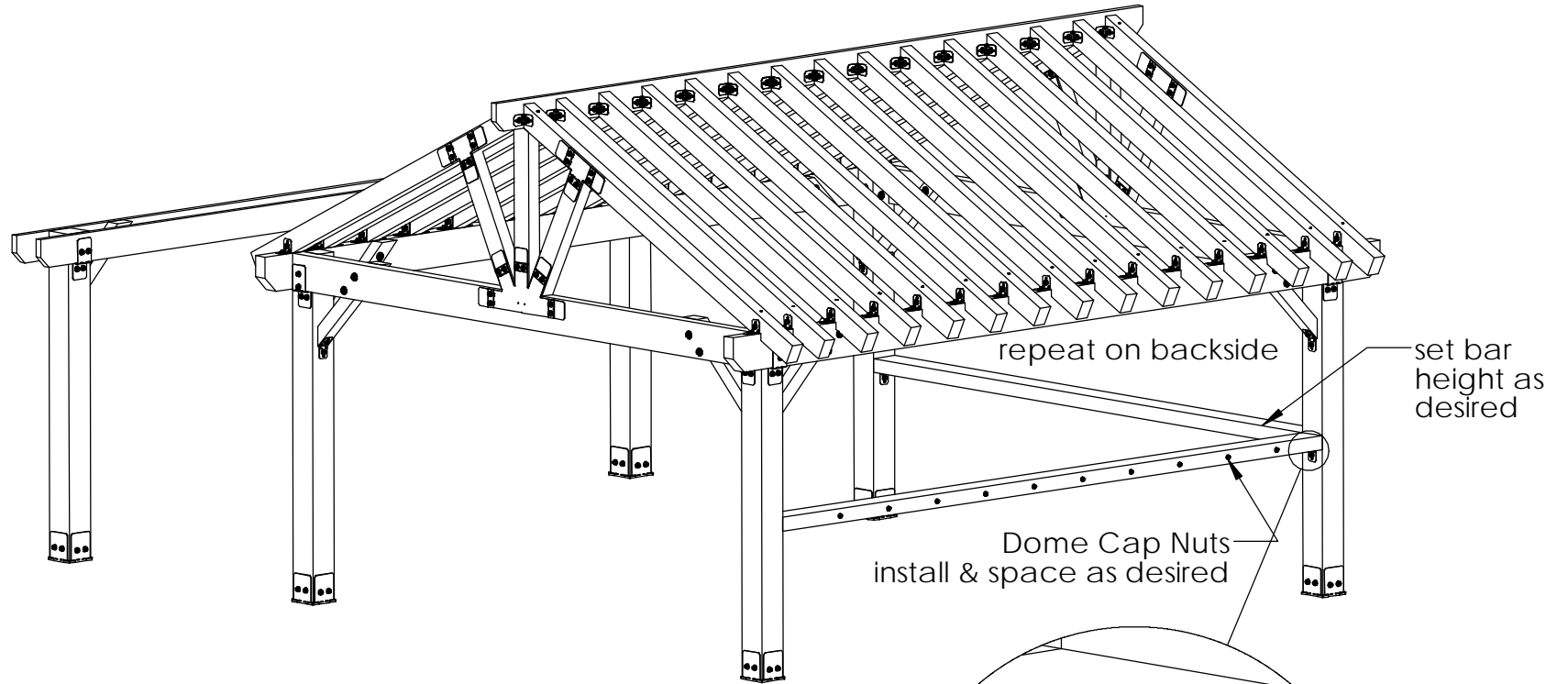
## step 5

OZCO Project #220 – Pavilion-Pergola  
Combo with Bar 20x25



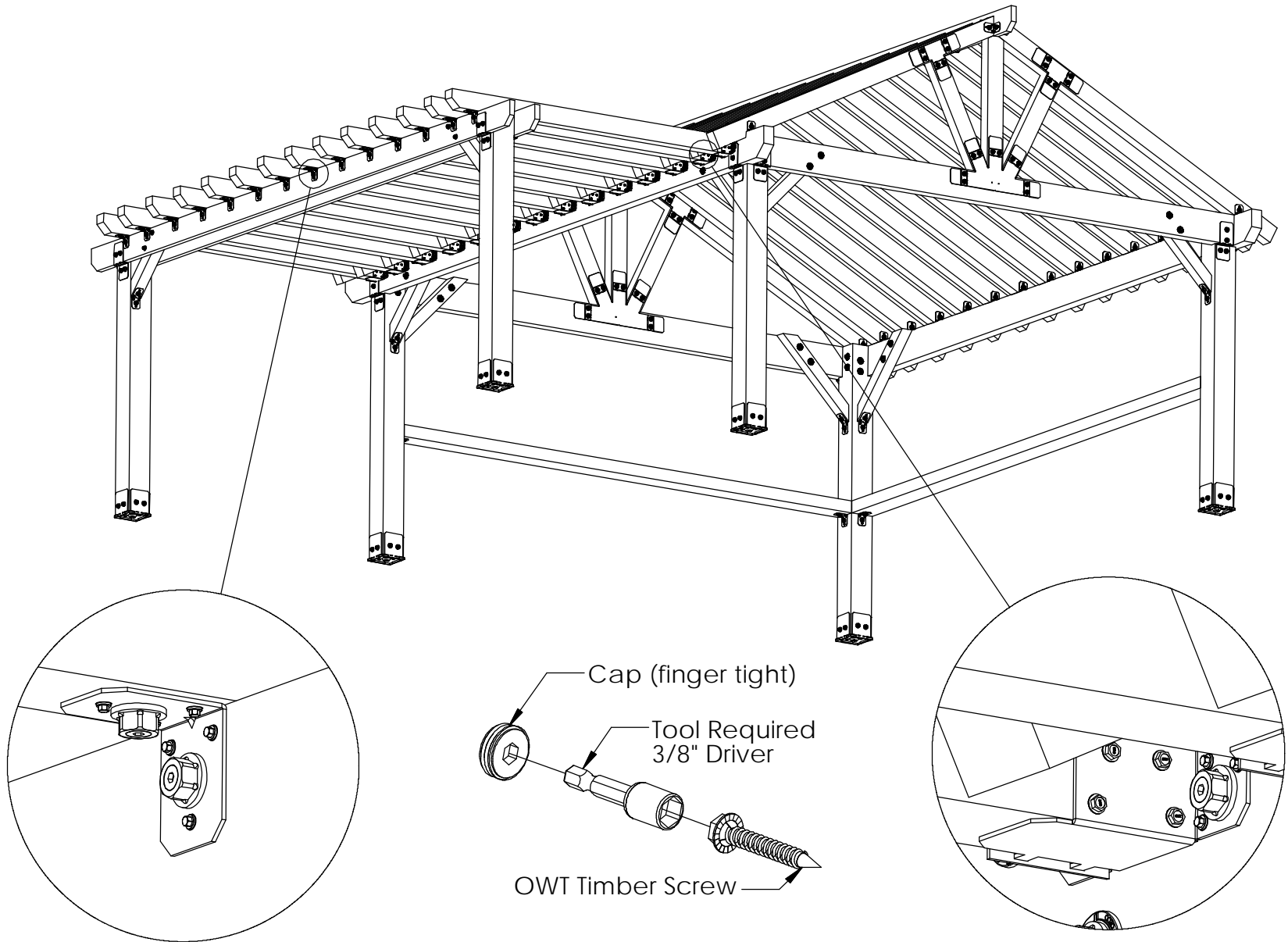
## step 6

OZCO Project #220 – Pavilion-Pergola  
Combo with Bar 20x25



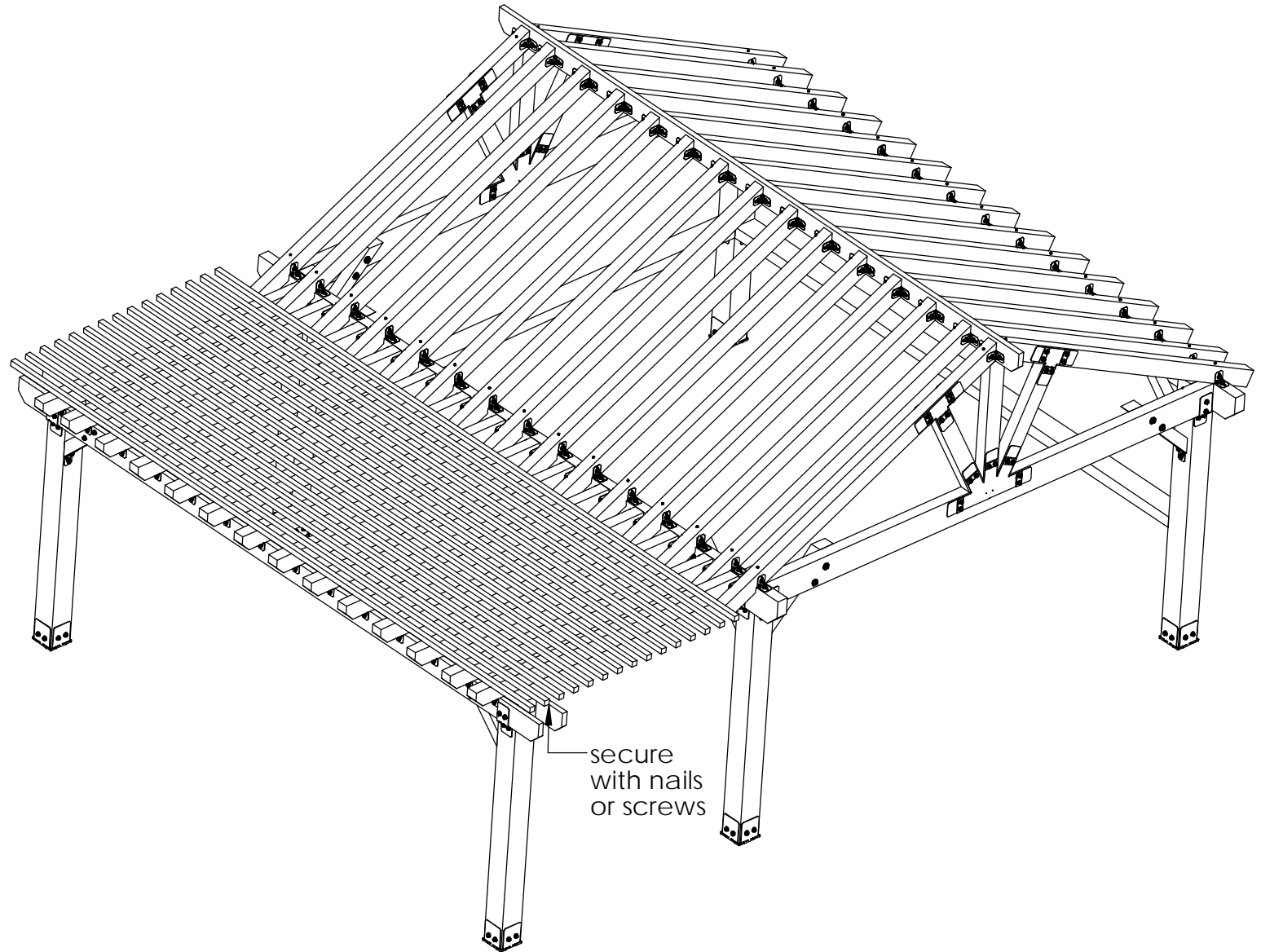
## step 7

OZCO Project #220 – Pavilion-Pergola  
Combo with Bar 20x25



## step 8

OZCO Project #220 – Pavilion-Pergola  
Combo with Bar 20x25



## step 9

OZCO Project #220 – Pavilion-Pergola  
Combo with Bar 20x25