

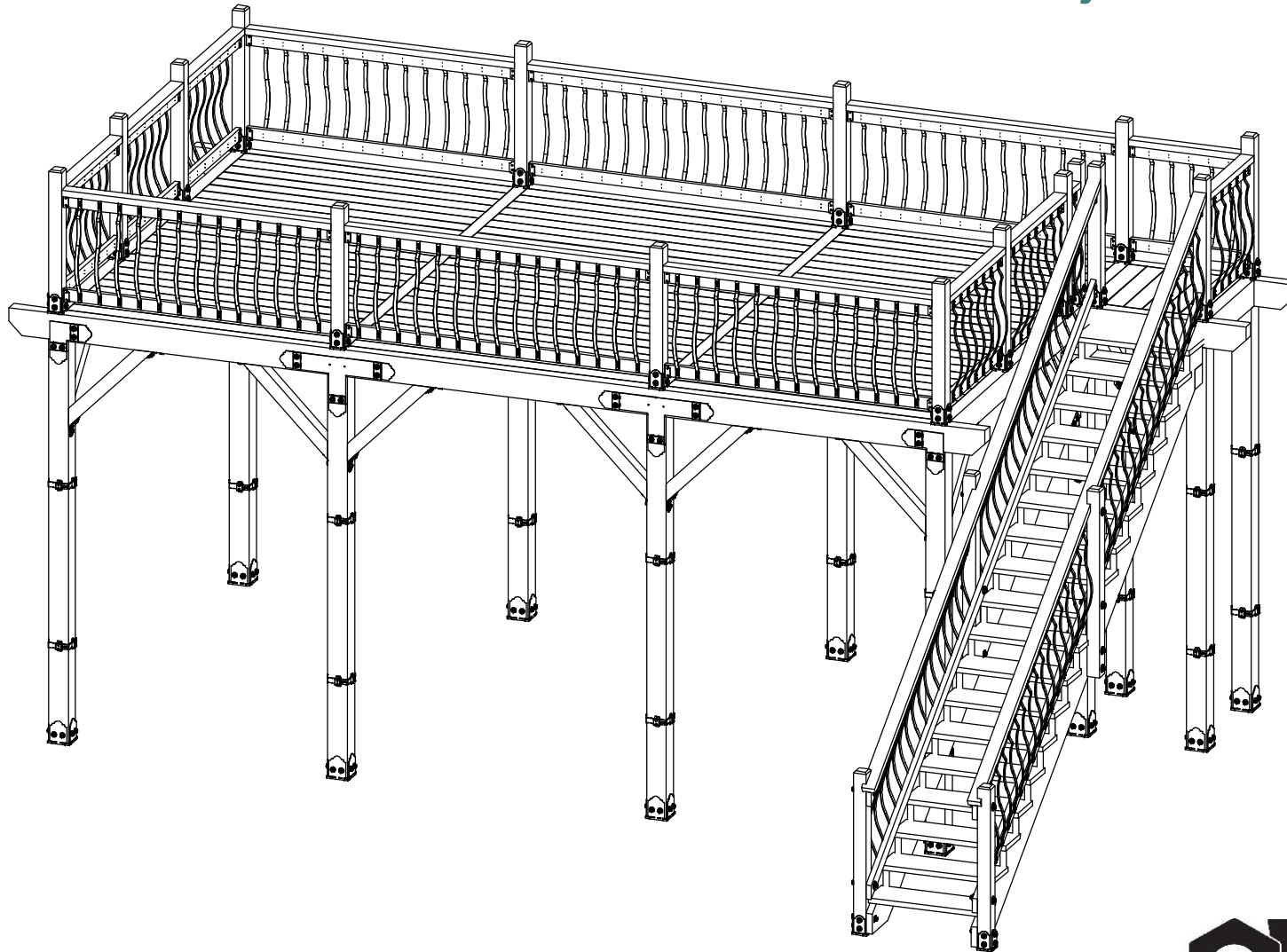
DESIGN

PURCHASE

CONSTRUCT

ENJOY

OZCO Project #705 - 28x18x14 Deck



OZCO BUILDING PRODUCTS

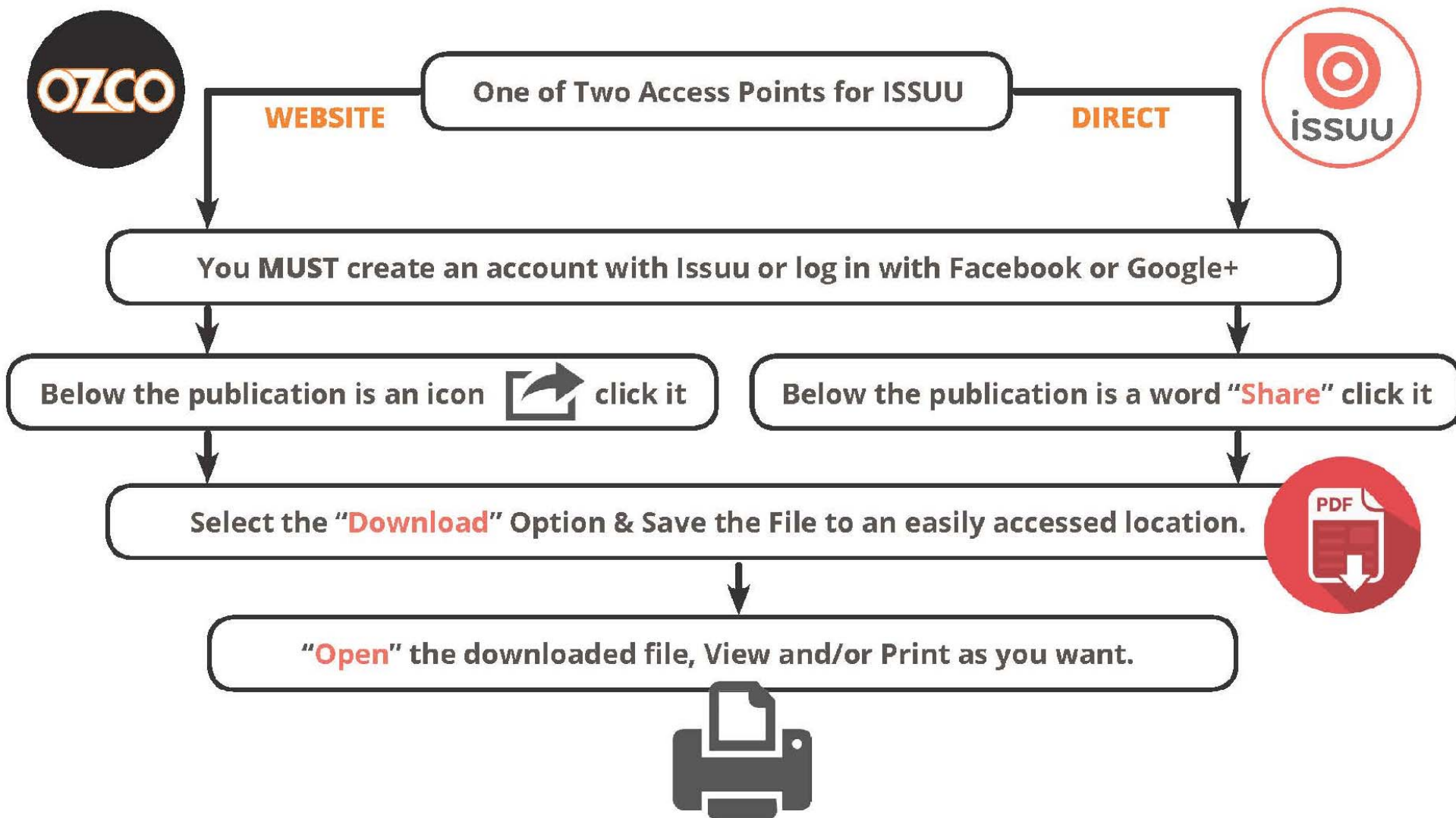
OZCO Project #705 - 28x18x14 Deck

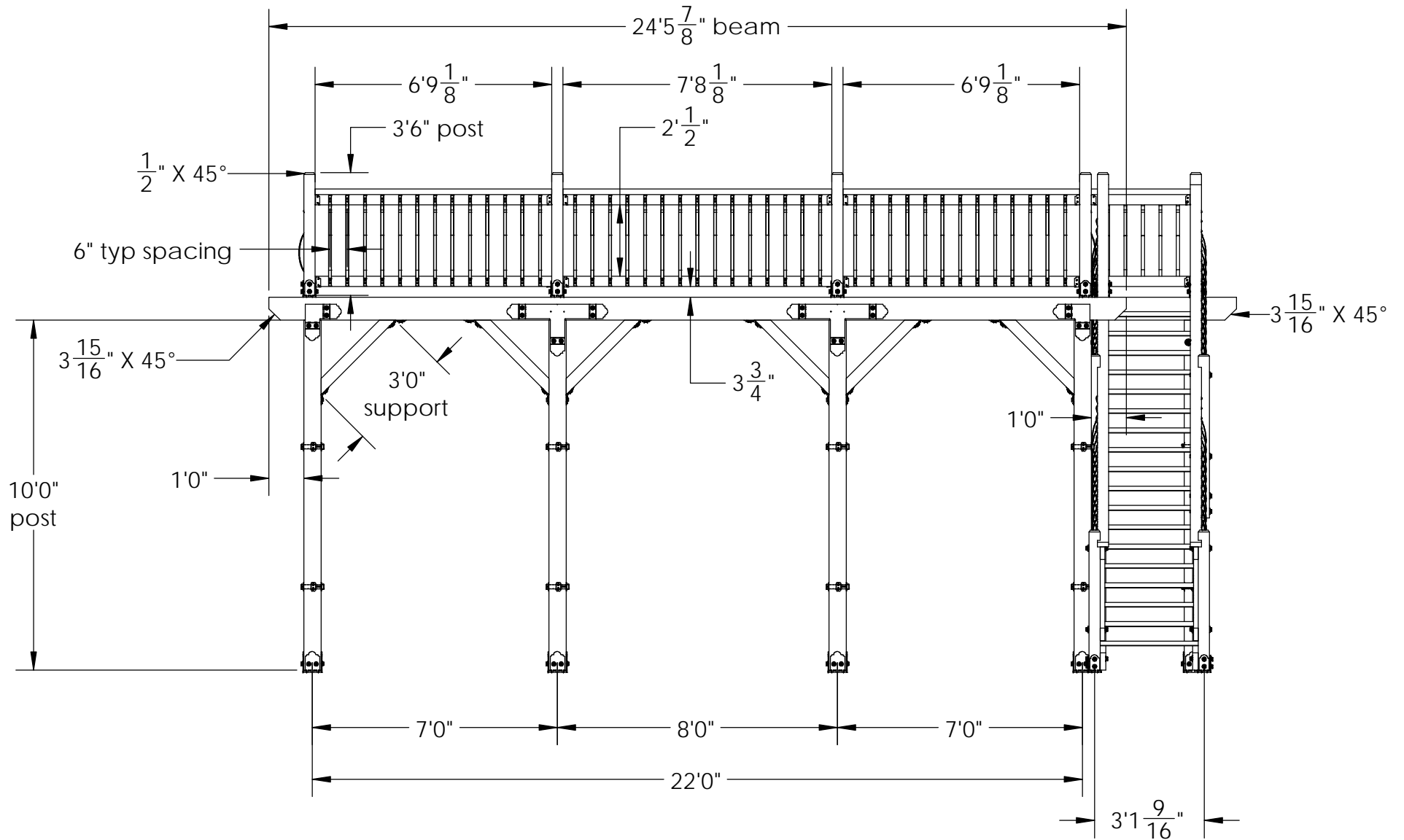
V2.00 - Installation Instructions, Specifications and Project Plans are effective 9/11/2017. This information is updated periodically and should not be relied upon after 2 years from 9/11/2017. Please visit OZCOBP.com to get current information.



Printing Documents from ISSUU

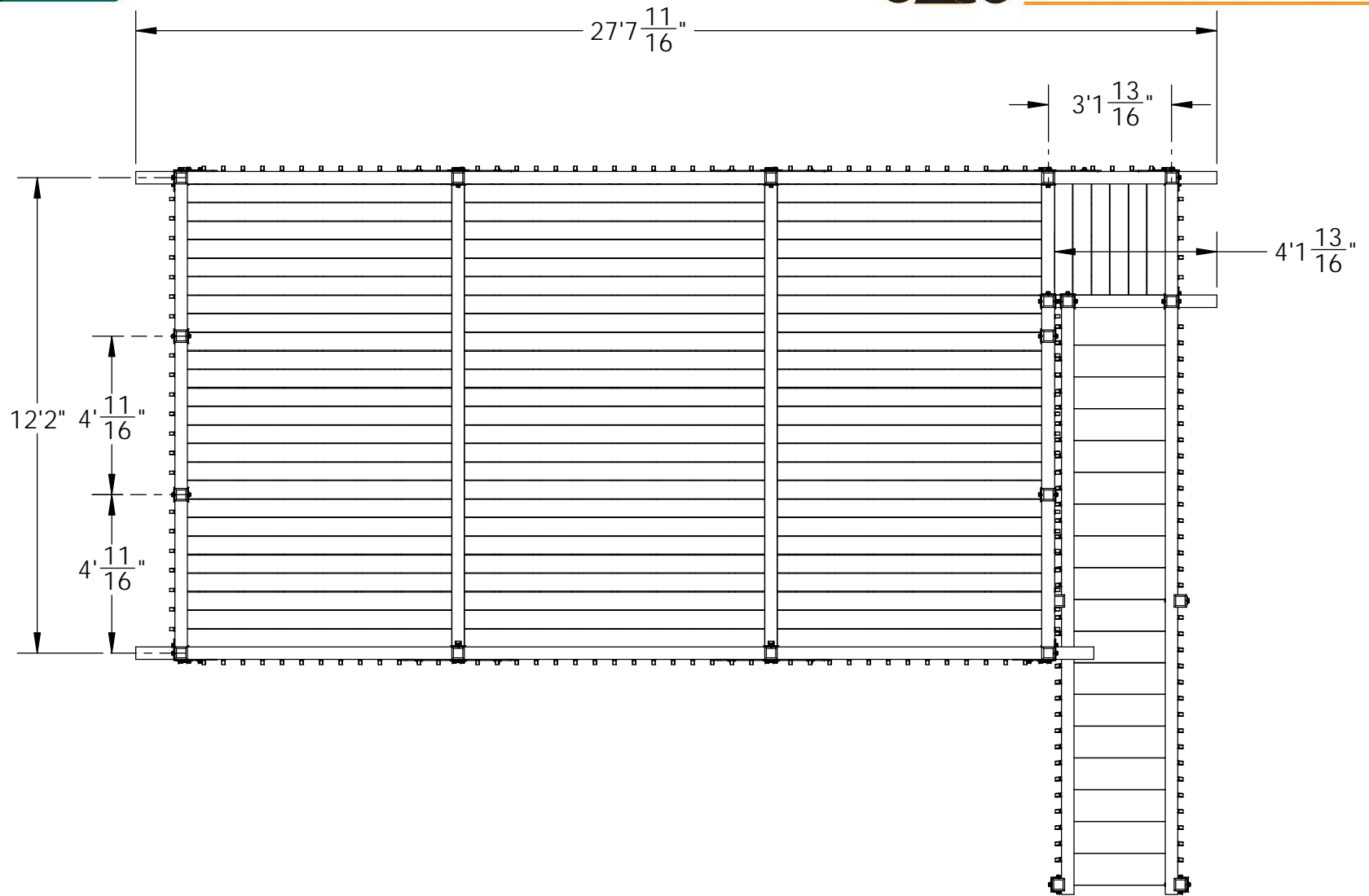
Unfortunately, there is currently no way to print content directly through issuu. To print a publication, you will need to download it and print it from your computer.





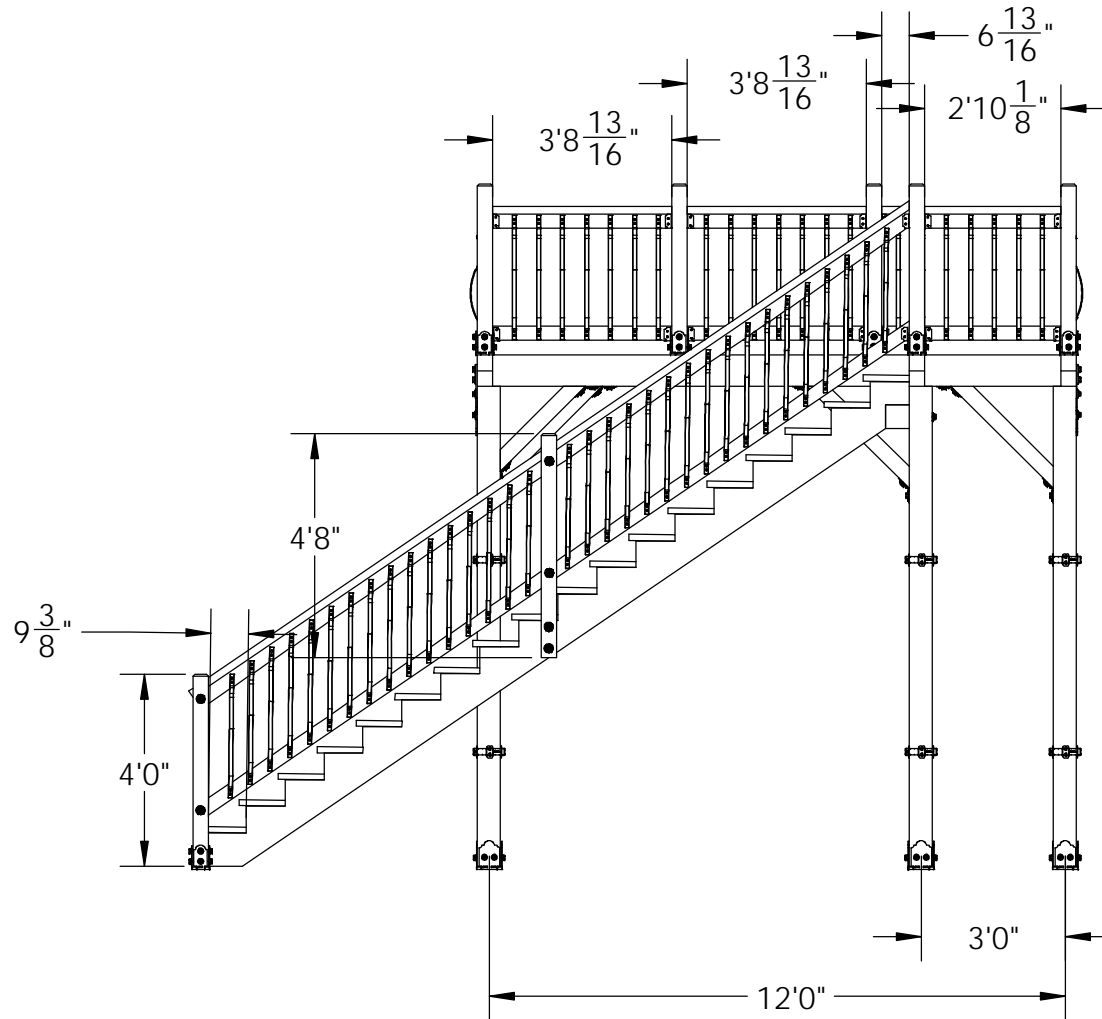
Front

OZCO Project #705 - 28x18x14 Deck



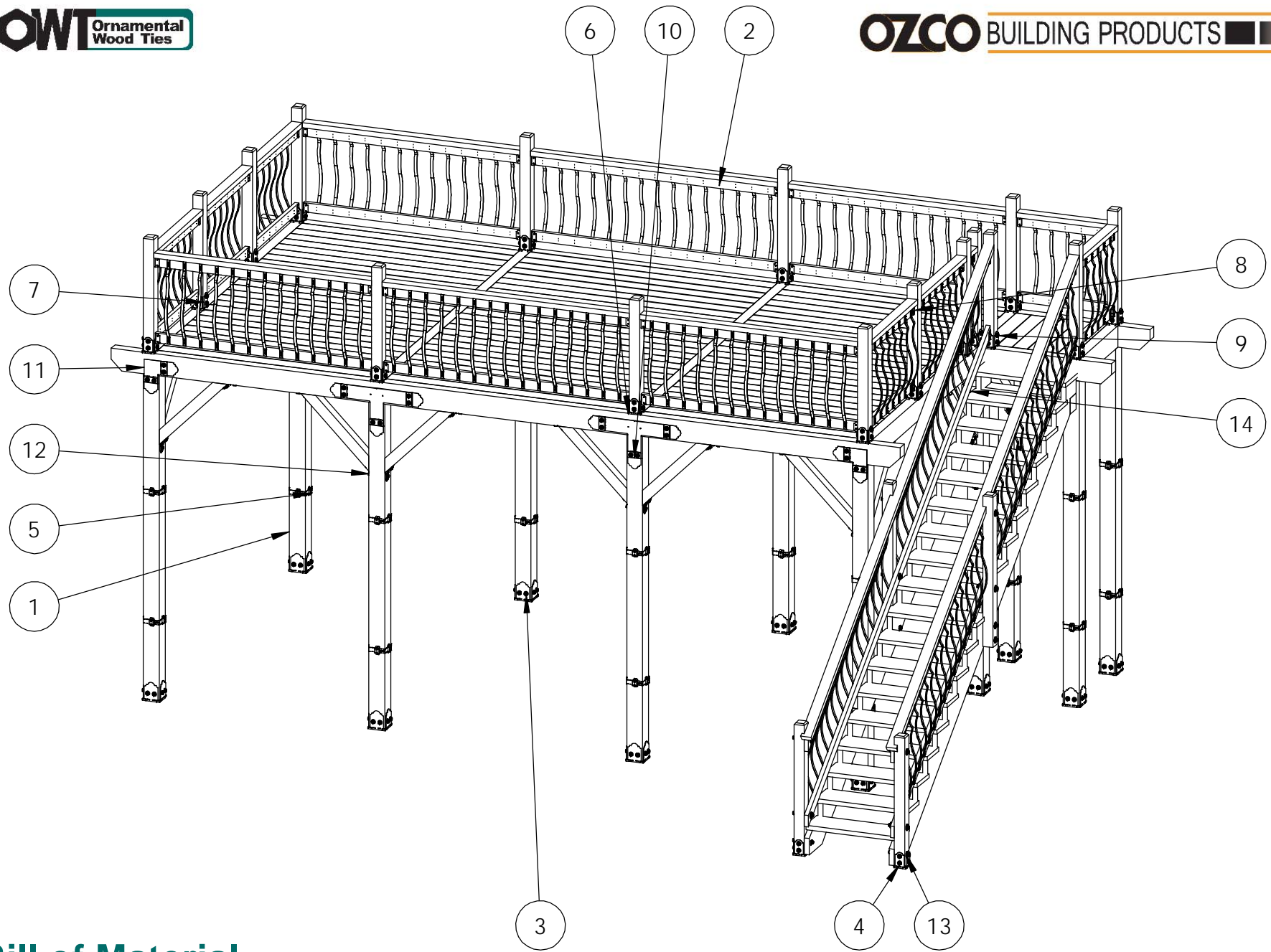
Top

OZCO Project #705 - 28x18x14 Deck



Right

OZCO Project #705 - 28x18x14 Deck



Bill of Material

OZCO Project #705 - 28x18x14 Deck

ITEM NO.	QTY.	PART NUMBER	DESCRIPTION
1	1	OZCO Project #705 - 28x18x14 Deck	
2	194	Belly Band	Belly Band
3	11	56608	6x6 Post Base Kit (6X6-PB-LS)
4	2	56607	4x4 Post Base (4x4-PB-LS)
5	22	51786	6x6 Post Band (6X6-BND-IW)
6	6	56630	4x4 Post Base with 2 Rail Saddles (4X4-TRS-LS)
7	8	56630	4x4 Post Base with 2 Rail Saddles (4X4-TRS-LS)
8	15	56641	2x4 Top Rail Saddle (2x4-TR)
9	2	56631	4x4 Post Base with Rail Saddle (4X4-TRS-LS)
10	5	56645	Truss Base Fan-T (TBF-T)
	8	56611	Truss Accent (TA-LS)
	1.2	56625	Screw, OWT 1-3/4" (45mm) Timber
11	4	56614	Flush Outside 90° (FO-90)
	8	56611	Truss Accent (TA-LS)
	.64	56625	Screw, OWT 1-3/4" (45mm) Timber
12	9	56668	4" Flush Inside 45 (FI45-LS-4)
13	14	56649	OWT Timber Bolt 4-6"
	14	56680	2" Timber Bolt Heavy Duty Washer (OWT-TBW-2)
14	2	56652	OWT Timber Bolt 10-12"
	1	56680	2" Timber Bolt Heavy Duty Washer (OWT-TBW-2)
15	7	56639	6-8" Joist Hanger Flush (JHF-68-LS)

some parts are grouped/used with others during assembly.
when duplicate part numbers show on bill of material
table, add together for total quantity needed.

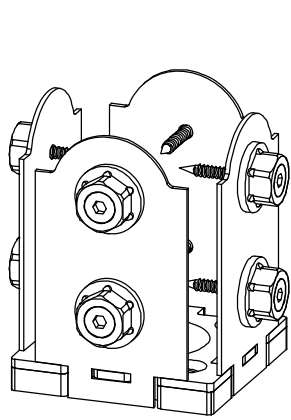
quantities reflect packages of components required

Bill of Material

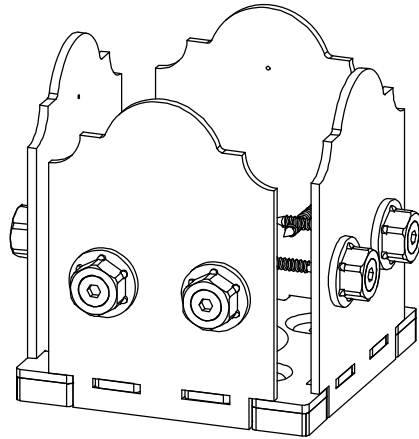
OZCO Project #705 - 28x18x14 Deck

QTY.	PART NUMBER	DESCRIPTION
194	Belly Band	Belly Band
11	56608	6x6 Post Base Kit (6X6-PB-LS)
2	56607	4x4 Post Base (4x4-PB-LS)
22	51786	6x6 Post Band (6X6-BND-IW)
14	56630	4x4 Post Base with 2 Rail Saddles (4X4-TRS-LS)
15	56641	2x4 Top Rail Saddle (2x4-TR)
2	56631	4x4 Post Base with Rail Saddle (4X4-TRS-LS)
5	56645	Truss Base Fan-T (TBF-T)
16	56611	Truss Accent (TA-LS)
2	56625	Screw, OWT 1-3/4" (45mm) Timber
4	56614	Flush Outside 90° (FO-90)
9	56668	4" Flush Inside 45 (FI45-LS-4)
14	56649	OWT Timber Bolt 4-6"
15	56680	2" Timber Bolt Heavy Duty Washer (OWT-TBW-2)
2	56652	OWT Timber Bolt 10-12"
7	56639	6-8" Joist Hanger Flush (JHF-68-LS)
	Lumber	See Cutlist

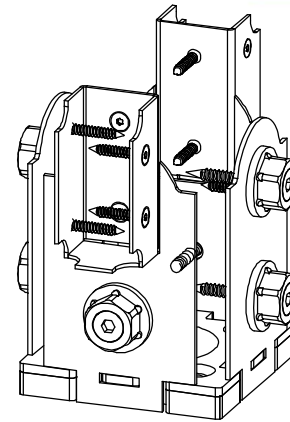
Material List



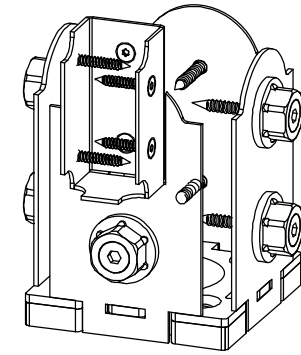
56607



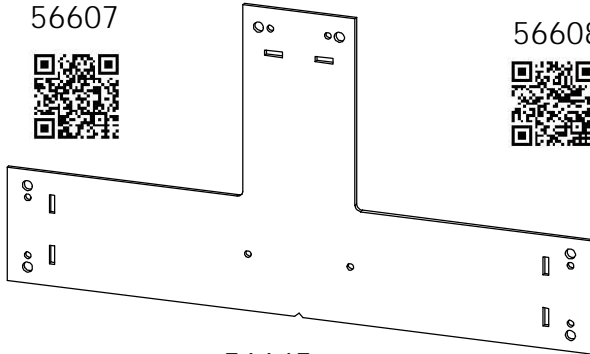
56608



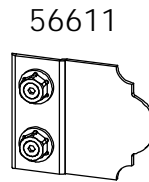
56630



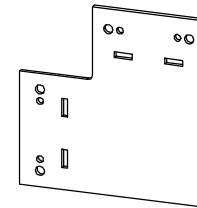
56631



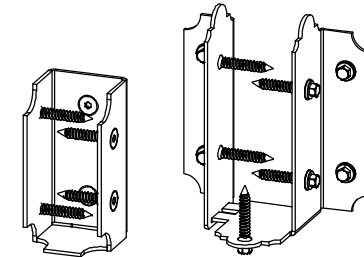
56645



56611



56641



56639



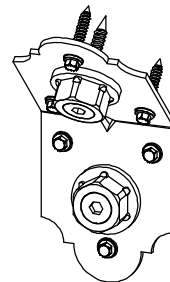
56680



56649



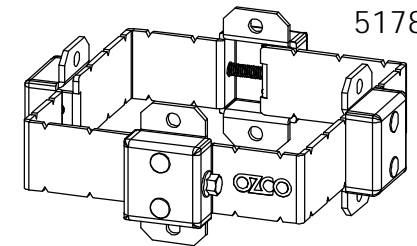
56652



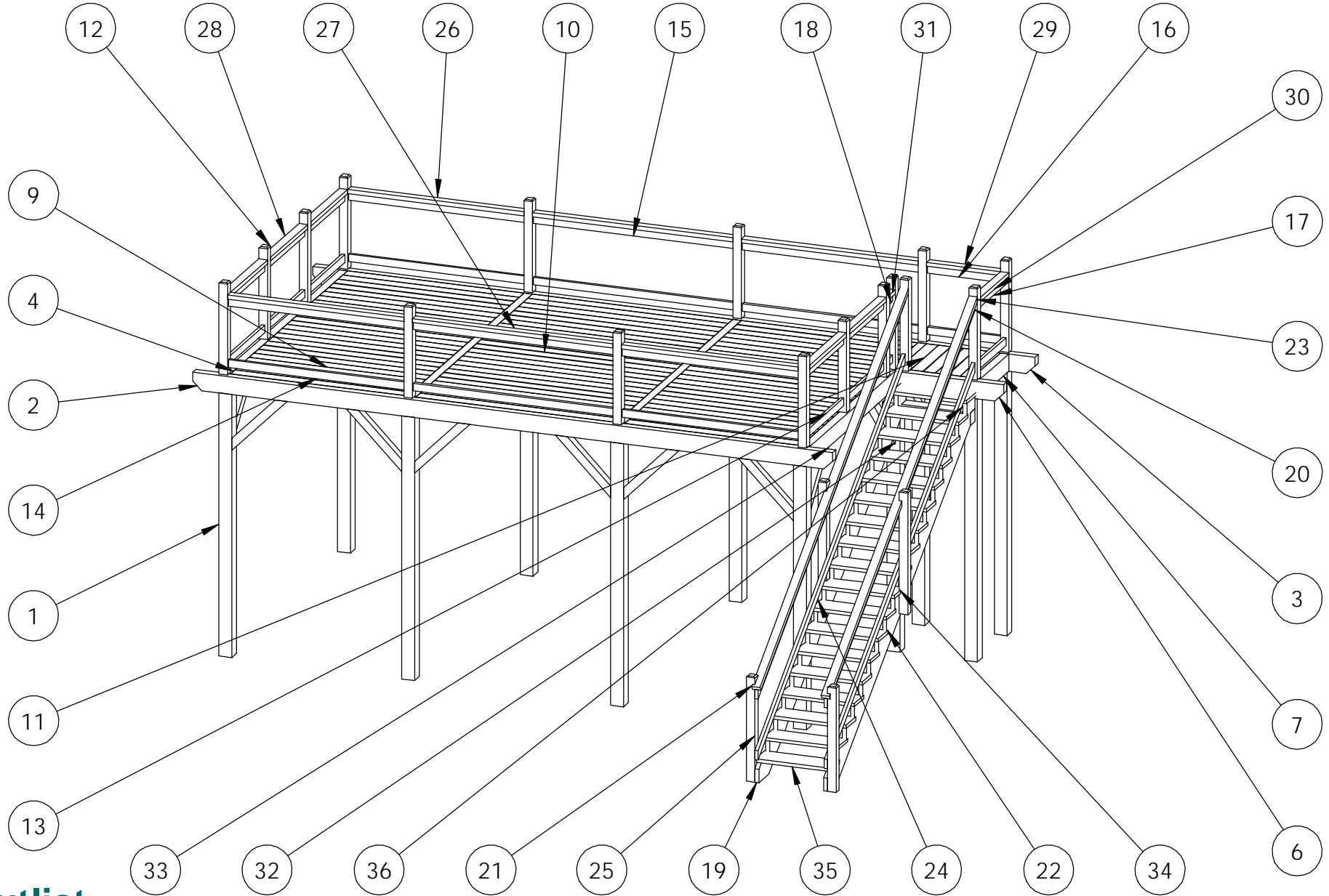
56668



56625

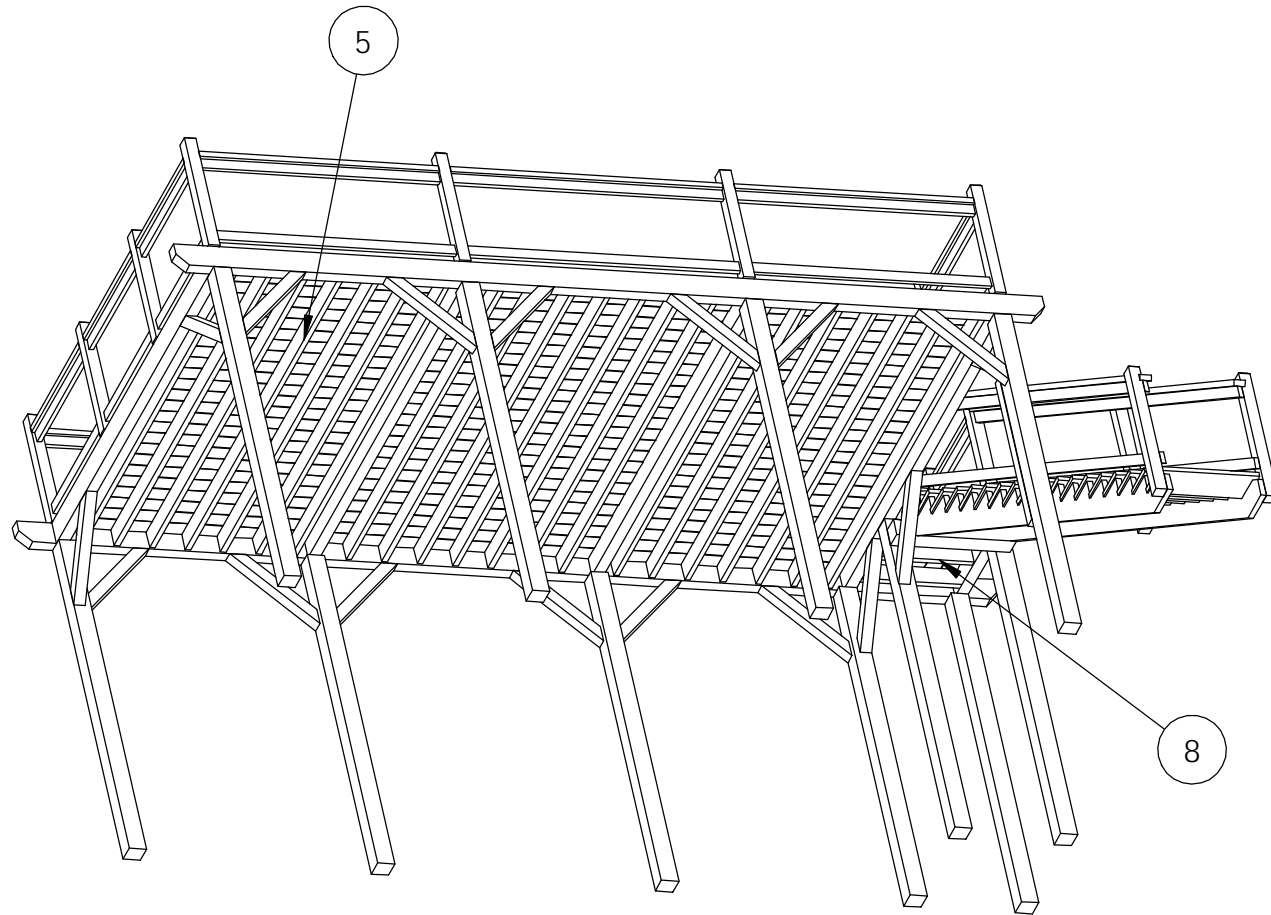


51786



Cutlist

OZCO Project #705 - 28x18x14 Deck



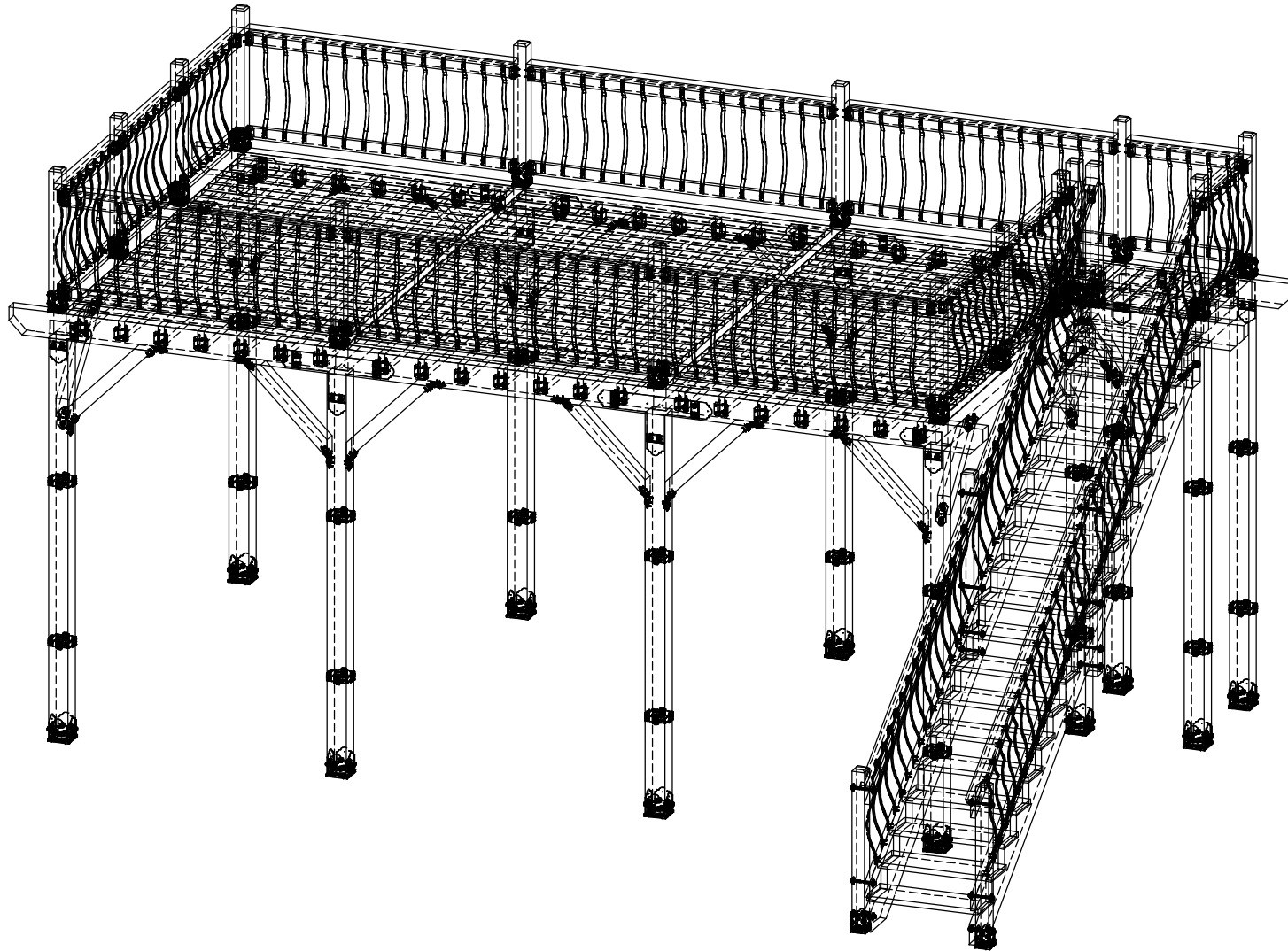
Cutlist

OZCO Project #705 - 28x18x14 Deck

ITEM NO.	QTY.	DESCRIPTION	LENGTH
1	11	6x6 Cedar	10'
2	1	4x8 Cedar	24'5 7/8"
3	1	4x8 Cedar	27'7 11/16"
4	4	4x8 Cedar	11'10 1/8"
5	21	2x6 Cedar	11'10 1/8"
6	1	4x8 Cedar	4'1 13/16"
7	1	4x8 Cedar	2'10 1/8"
8	3	2x6 Cedar	2'9 15/16"
9	50	2x6	6'9 1/8"
10	25	2x6	7'8 1/8"
11	6	2x6	2'10 1/8"
12	16	4x4 Cedar	3'6"
13	10	2x4	3'8 13/16"
14	8	2x4	6'9 1/8"
15	4	2x4	7'8 1/8"
16	2	2x4	2'9 15/16"
17	2	2x4	2'10 1/8"
18	2	2x4	6 13/16"
19	2	2x12 Cedar	18' 3/16"
20	4	2x4	18'2 15/16"
21	1	2x4 Cedar	18'1 7/8"
22	16	2x12	2'10 1/2"
23	1	2x4 Cedar	18'1 13/16"
24	2	4x4 Cedar	4'8"
25	2	4x4 Cedar	4'
26	4	2x4 Cedar	6'9 1/8"
27	2	2x4 Cedar	7'8 1/8"
28	5	2x4 Cedar	3'8 13/16"
29	1	2x4 Cedar	2'9 15/16"
30	1	2x4 Cedar	2'10 1/8"
31	1	2x4 Cedar	6 13/16"
32	16	4x4 Cedar	3'
33	1	4x4 Cedar	2'6"
34	1	2x12	2'10 1/2"
35	1	2x12	2'10 1/2"
36	1	6x6 Cedar	3'4 3/8"

Cutlist

OZCO Project #705 - 28x18x14 Deck



Translucent

OZCO Project #705 - 28x18x14 Deck